

NOTICE: All drawings and specifications are, and remain our property and must be returned to us. All specifications are confidential and are not to be disclosed to any persons other than those to whom they are sent. No drawings, specifications or other data belonging to us which may be furnished to vendors for production or quotation are to be regarded by implication or otherwise as in any manner licensing the holder or any other person or corporation or conveying any rights or permission to manufacture, use or sell any patented design or product that may in any way be related thereto.

REMOVE ALL BURRS. BREAK CORNERS AND SHARP EDGES .005 MAXIMUM UNLESS OTHERWISE SPECIFIED

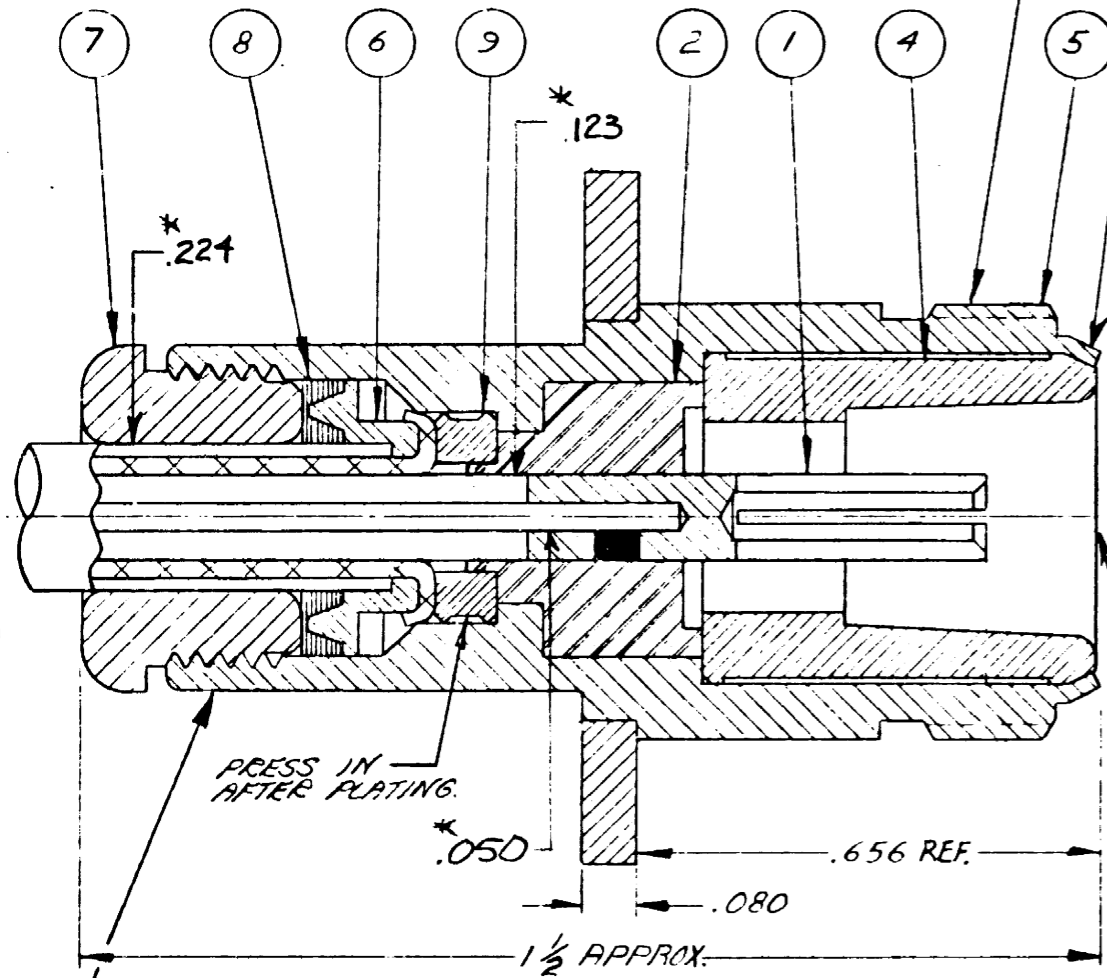
DO NOT SCALE THIS DRAWING

DRAWING NUMBER
36250
ISSUE
M

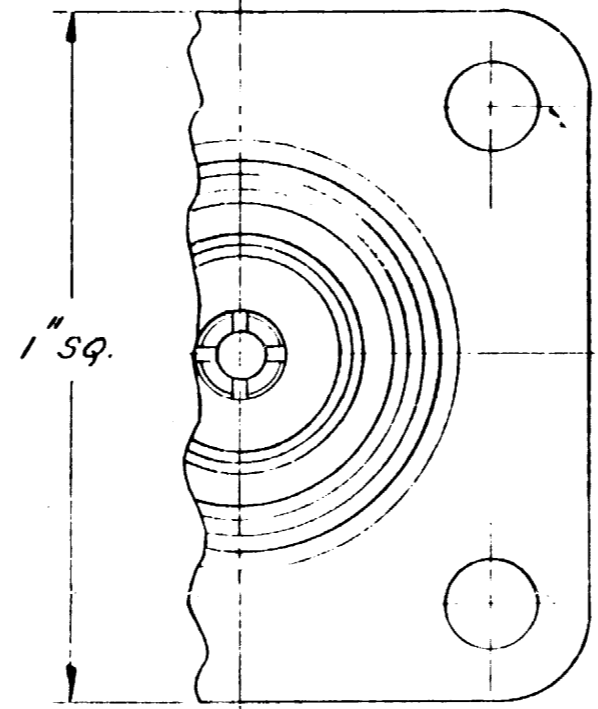
REVISIONS

GB

ZONE	SYM.	DESCRIPTION	DATE	ECONO	APPR
	E	REDRAWN GENERAL REVISION	7-12-62	5802	S.P.
	F	GEN REV.	2-26-63	7870	RTW
	G	IPC TO AMPH. COMP.	8871	7-3-63	RTW
	H	UPDATED PER EPA 802125	6-4-64	10586	S.P.
	J	UPDATED OPERATION PROCEDURES ADDED NOTE E, ITEM 4 WAS 30 ITEM 7 WAS 31-1428	1/2/65	12263	S.P.
	K	CHANGED PLATING TO ASTRO	1-22-75	22607	PEP
	L	BUSHING ITEM 9 WAS 31-1102	1/13/87	34038	WLC
	M	ADDED NOTES 2 THRU 6	1/23/93	39230	DR



FORM OVER ALL AROUND. DO NOT BREAK THRU PLATING



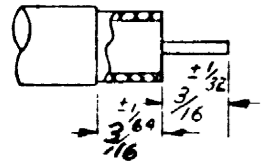
SEE NOTE 3

NOTES: (CONT)

- MUST CONFORM TO SPEC. 349-50551, SECTION 911. OMIT REFERENCE TO CONTACT.
- PACKAGE IN BAG 999-226.
- * ASTERISK INDICATES CABLE ENTRY DIMENSIONS.
- ITEMS 1, 6, 7, AND 8 ARE SHIPPED LOOSE.

SECTION A-A
STAMP "7868 UG-1095A/U" IN 1/16 HIGH DEPRESSED CHARACTERS.

- NOTES:
- LESS FLANGE SEE DWG 35025
 - PLATING MUST CONFORM TO SPEC. 349-50560 CONTACT IS SILVER PLATED. ALL OTHER METAL PARTS ARE ASTROPLATED (REF.)



RECOMMENDED CABLE STRIPPING DIMENSIONS

OFFICIAL ENG REL
7870
2-27-63

UNLESS OTHERWISE SPECIFIED DIMENSIONS ARE IN INCHES	TOLERANCE ON		
	FRACTIONS	DECIMALS	ANGLES
	±.010	±.005	± 1/2°
MATERIAL	H		
SPECIFICATION	UG-1095 A/U		
FINISH	SEE LIST OF MAT'L		
NEXT ASSY	USED ON		
APPLICATION			

DRAWN BY D J PEZZULLO	DATE 7-12-62
CHECKED 8/6	DATE 8-15-62
ENGINEER P MCGEARY	DATE 8-20-62
APPROVED WMT	DATE 8-20-62
REFERENCE DRAWING NO	RE B 49213

REQD	ITEM	PART NO	DESCRIPTION	FINISH
1	9	31-2175-2H	CLAMP BUSHING	NOTE 2
1	8	82-1536-5H	CLAMP GASKET	
1	7	31-1428-1 H	CLAMP NUT	NOTE 2
1	6	82-1551-9 H	BRAID CLAMP	NOTE 2
1	5	82-11450-H	BODY S/A	NOTE 2
1	4	82-718 H	BUSHING	NOTE 2
	3			
1	2	35278-4	INSULATOR	
1	1	36256 - F	FEMALE CONTACT	NOTE 2

LIST OF MATERIAL
AMPHENOL RF

TITLE
IMPROVED 'N' PANEL JACK
FOR RG 58/U
(UG-1095A/U)

A DIVISION OF
AMPHENOL-BORG ELECTRONICS CORP.
GENERAL OFFICES
DANBURY, CONN.
PLANTS AT
CHICAGO 38, ILL. WOODSIDE 77, N.Y.
DANBURY, CONN.

CODE IDENTIFICATION	DRAWING SIZE B	DRAWING NO 36250	ISSUE M
SCALE 4:1	SHEET OF		

AMEYA360

Components Supply Platform

Authorized Distribution Brand :



Website :

Welcome to visit www.ameya360.com

Contact Us :

➤ Address :

401 Building No.5, JiuGe Business Center, Lane 2301, Yishan Rd
Minhang District, Shanghai , China

➤ Sales :

Direct +86 (21) 6401-6692

Email amall@ameya360.com

QQ 800077892

Skype ameyasales1 ameyasales2

➤ Customer Service :

Email service@ameya360.com

➤ Partnership :

Tel +86 (21) 64016692-8333

Email mkt@ameya360.com