

# Customer Information Sheet

DRAWING No.: M22-30400XX

SHEET 2 OF 2

IF IN DOUBT - ASK

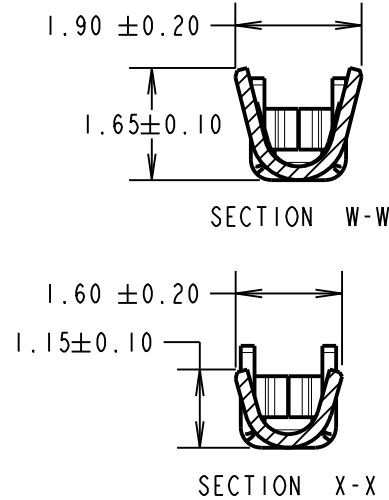
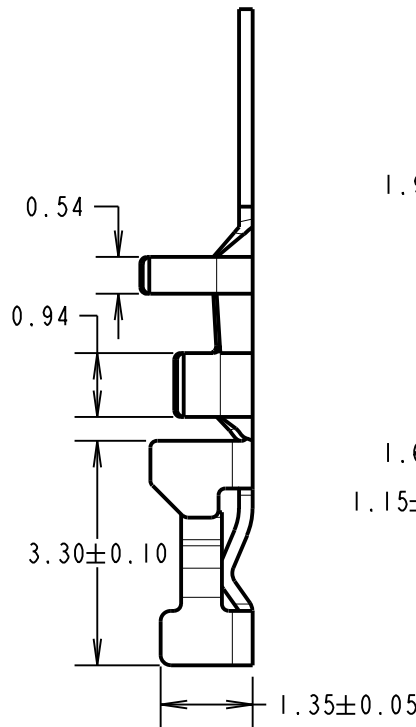
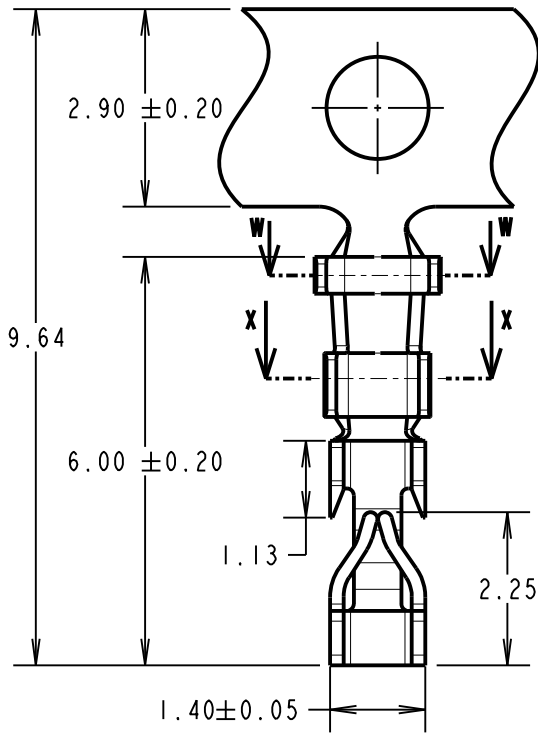


NOT TO SCALE

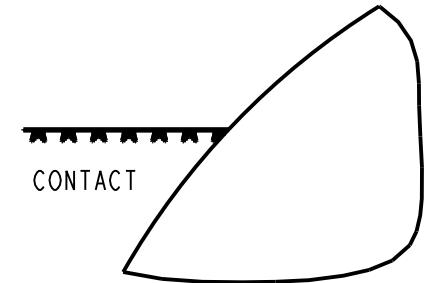
THIRD ANGLE PROJECTION

ALL DIMENSIONS IN mm

REELING DETAILS  
SEE NOTE 2



RUNNER THIS SIDE



CONTACT

**NOTES:**

1. TO BE USED WITH CRIMP MOULDINGS M22-301XX00 OR M22-302XX00.
2. REELED TO SUIT L.H. LOADING CRIMPING MACHINE, OPEN FORM OF CRIMP TO BE UNDERNEATH ON REEL.
3. FOR HAND CRIMPING ONTO WIRE, USE HAND TOOL Z22-020 (INSTRUCTION SHEET IS-05), STRIP WIRE BY 1.0 - 1.5mm BEFORE CRIMPING.
4. SUITABLE FOR WIRE GAUGES 24-30 AWG.
5. NUMBER OF CONTACTS PER REEL = 10K.
6. RECOMMENDED CONDUCTOR CRIMP HEIGHTS:  
FOR 24 - 30AWG = 0.59±0.03mm

ORDER CODE:  
**M22-30400XX**

FINISH: \_\_\_\_\_  
42 = GOLD  
46 = 100% TIN

SB	11	14.06.12	11756
NAME	ISS.	DATE	C/NOTE
APPROVED:		S. BENNETT	
CHECKED:		M. PLESTED	
DRAWN:		W. J. BOURNE	
CUSTOMER REF.:			
ASSEMBLY DRG:			

## HARWIN

www.harwin.com  
technical@harwin.com

THIS DRAWING AND ANY INFORMATION OR DESCRIPTIVE MATTER SET OUT HEREON ARE CONFIDENTIAL AND COPYRIGHT PROPERTY OF THE HARWIN GROUP AND MUST NOT BE DISCLOSED, LOANED, COPIED OR USED FOR MANUFACTURING, TENDERING OR FOR ANY OTHER PURPOSE WITHOUT THEIR WRITTEN PERMISSION.

**TOLERANCES**  
X. = ±1mm  
X.X = ±0.25mm  
X.XX = ±0.10mm  
X.XXX = ±0.01mm  
ANGLES = ±5°  
UNLESS STATED

**MATERIAL:**  
PHOSPHOR BRONZE  
**FINISH:** SEE ORDER CODE  
**S/AREA:** mm<sup>2</sup>

**TITLE:**  
REELED CRIMP CONTACT

**DRAWING NUMBER:**  
**M22-30400XX**

SHT  
2 OF 2

# AMEYA360

## Components Supply Platform

### Authorized Distribution Brand :



### Website :

Welcome to visit [www.ameya360.com](http://www.ameya360.com)

### Contact Us :

#### ➤ Address :

401 Building No.5, JiuGe Business Center, Lane 2301, Yishan Rd  
Minhang District, Shanghai , China

#### ➤ Sales :

Direct +86 (21) 6401-6692

Email [amall@ameya360.com](mailto:amall@ameya360.com)

QQ 800077892

Skype [ameyasales1](#) [ameyasales2](#)

#### ➤ Customer Service :

Email [service@ameya360.com](mailto:service@ameya360.com)

#### ➤ Partnership :

Tel +86 (21) 64016692-8333

Email [mkt@ameya360.com](mailto:mkt@ameya360.com)