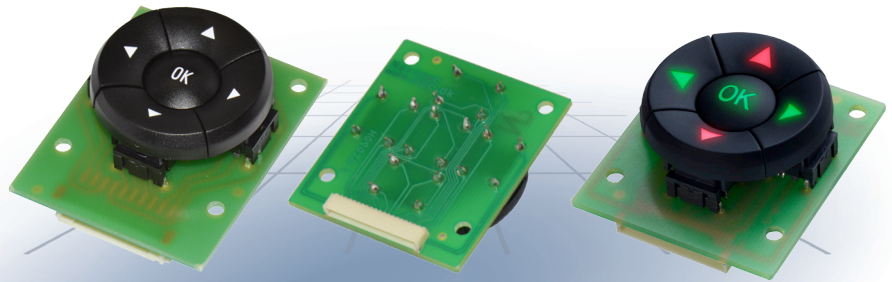


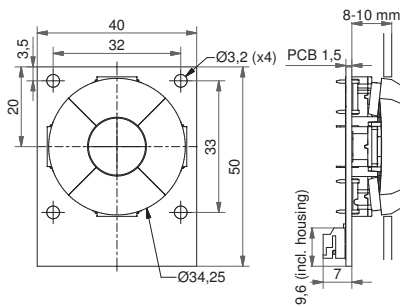
Navimec Module standard and illuminated

Technical Data:

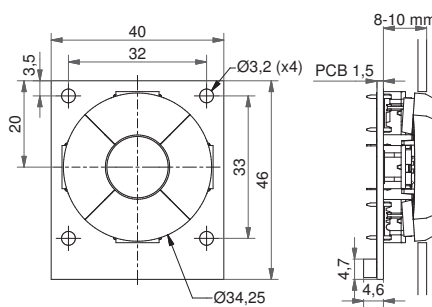
- module should be attached to the front plate with bolts (bolts not supplied by MEC)
- 50mA/24VDC
- single pole/momentary
- 10.000.000 operations lifetime
- switches sealed to IP67
- temperature range:
switch body: -40/+160°C
LED: -30/+85°C
- actuation force: 2.0, 3.5, 6.5 N



Dimensions Standard Navimec module



Dimensions illuminated Navimec module

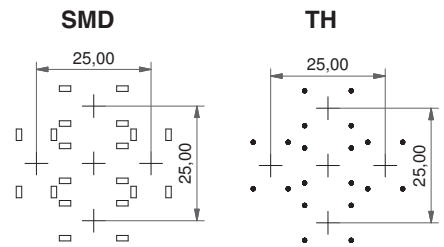


*When the 1ZB is activated the diameter changes from 34,25mm to 35,0mm

Recommended panel cut-out:

∅ = 35,0 - 35,5 Depending on application

PCB layout for Navimec solution



HOW TO ORDER

Navimec Module ordering options:

- Navimec Module excl. keycaps
- Navimec Module incl. keycaps
- Navimec Module incl. keycaps with legends
- illuminated Navimec Module excl. keycaps
- illuminated Navimec Module incl. keycaps with legends

Part no. 9810120 - PCB and connector for Navimec Module

Part no. 9810125 - PCB and connector for illuminated Navimec Module

Part no. for switches and caps:

Navimec Module has many customisation options regarding actuation force, cap and LED colours and legends. Because of that ordering is based on part numbers of separate parts instead of one specific part number. MEC has the switches mounted on the module before delivery, which is included in the module price.

See the other side for information on switch and cap options as well as the examples below.

For example:

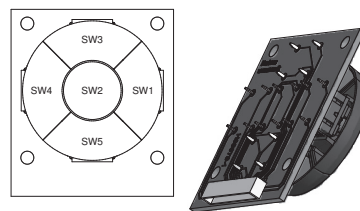
9810120 + 4x 5GTH920 + 1x 5GTH920 (without caps)

9810120 + 4x 5GTH965+1ZB42 + 1x 5GTH965+1ZCS42 (with caps)

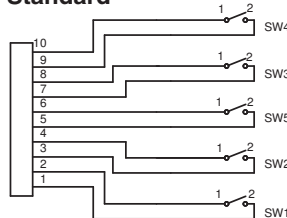
9810125 + 4x 5GTH93501+1ZB16LM136 + 1x 5GTH93501

+1ZCS16LM118 (painted caps with laser engraved legends)

Circuit diagram Navimec module



Standard

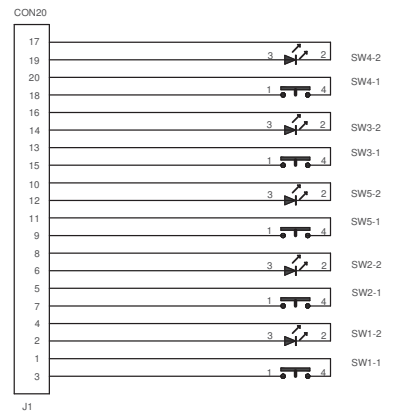


The connector on the standard Navimec module is JST SMT S108-PH-SM3-TB or similar. We recommend using:

Cable socket: JST PHR-10 or similar

Contact: JST SPH-002T-P0.5S or similar

illuminated



The connector on the illuminated Navimec module is CI1120M1H or similar.

We recommend using:

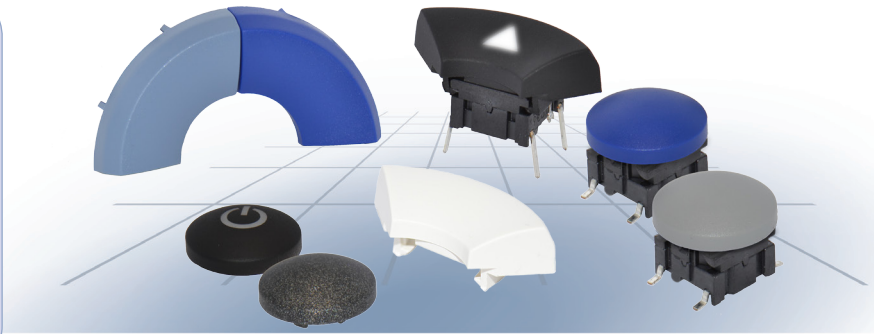
Cable socket: Cvilux CI1120S0000 or similar

Contact: Cvilux CI11T011PP0 or similar

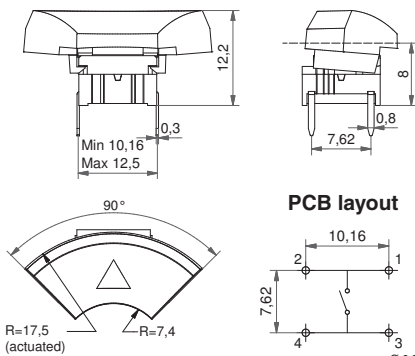
Distributor:

Technical Data:

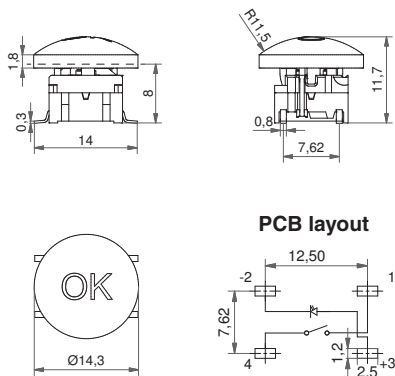
- through-hole or SMD
- 50mA/24VDC
- single pole/momentary
- 10.000.000 operations lifetime
- IP67 sealing
- temperature range:
switch body: -40/+160°C
LED: -30/+85°C
- actuation force: 2.0, 3.5, 6.5 N



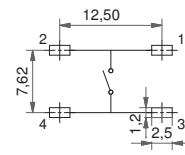
Dimensions (through-hole) + 1ZB



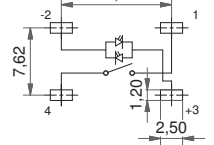
Dimensions (SMD w/LED) + 1ZCS



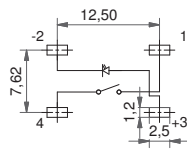
PCB layout SMD



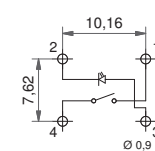
PCB layout bicolour SMD



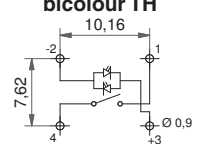
PCB layout



PCB layout TH w/LED



PCB layout bicolour TH



HOW TO ORDER illuminated

5 G	<input type="checkbox"/>	<input type="checkbox"/>	<input type="checkbox"/>	+	1 Z B 1 6 L M	<input type="checkbox"/>
Switch	Mounting	Actuation force	LED	Cap	frosted white with black soft touch paint and laser marking	Legend code
	TH9 through-hole	20	01 blue			136 ▲
	SH9 surface mount	35	22 green			
		65	42 yellow			
		Q*	61 white			
			82 red			
			2242 green/yellow			
			8222 red/green			
			8242 red/yellow			
				Cap		Legend code
						118 OK
						123 ⤵

HOW TO ORDER non-illuminated

5 G	<input type="checkbox"/>	<input type="checkbox"/>	<input type="checkbox"/>	+	1 Z B	<input type="checkbox"/>
Switch	Mounting	Actuation force	Cap	Colour code	Legend code**	
	TH9 through-hole	20		02 green	136 ▲	
	SH9 surface mount	35		03 grey		
		65		06 white		
		Q*		08 red		
				09 black	Legend code**	
				30 ultra blue	038 RESET	
				40 dusty blue	105 ENTER	
				42 aqua blue	118 OK	
				50 metal dark blue	119 SET	
				53 metal light grey	120 MENU	
				57 metal dark grey	121 FUNC	
				58 metal bordeaux	122 HOME	
					123 ⤵	

*Quiet version only available for actuation force 2.0N (20) and the letter Q is added to the end of the switch part number. See the ordering example.

Ordering example:

4x 5GTH93561+1ZB16LM136 + 1x 5GTH93561+1ZCS16LM118 (with illumination)

4x 5GSH920+1ZB09 + 1x 5GSH920+1ZCS09 (without illumination)

*5GTH92001Q or 5GSH920Q (quiet version)

For product updates and further information see our website: www.mec.dk

** White legends on black caps are standard, other options are available but considered custom products.

Dimensions (mm) Unless otherwise specified, all tolerances +/- 0,2

AMEYA360

Components Supply Platform

Authorized Distribution Brand :



Website :

Welcome to visit www.ameya360.com

Contact Us :

➤ Address :

401 Building No.5, JiuGe Business Center, Lane 2301, Yishan Rd
Minhang District, Shanghai , China

➤ Sales :

Direct +86 (21) 6401-6692

Email amall@ameya360.com

QQ 800077892

Skype [ameyasales1](#) [ameyasales2](#)

➤ Customer Service :

Email service@ameya360.com

➤ Partnership :

Tel +86 (21) 64016692-8333

Email mkt@ameya360.com