

Extended/Direct Handle Motor Disconnect Switch

The KU...N series can be used with extended and direct handles (see page 6-11 for details).



| Catalog Number | KU316N | KU325N | KU340N | KU363N | KU380N |
|-------------------------|---------------------|---------------------|---------------------|---------------------|---------------------|
| No. of Poles | 3 (4 pole - KU416N) | 3 (4 pole - KU425N) | 3 (4 pole - KU440N) | 3 (4 pole - KU463N) | 3 (4 pole - KU480N) |
| General Purpose Current | 16 A | 25 A | 40 A | 60 A | 80 A |
| Maximum Voltage | 600V AC | 600V AC | 600V AC | 600V AC | 600V AC |
| Motor FLA @ 480V AC | 14 A | 21 A | 27 A | 34 A | 40 A |
| Motor FLA @ 600V AC | 9 A | 11 A | 17 A | 27 A | 32 A |

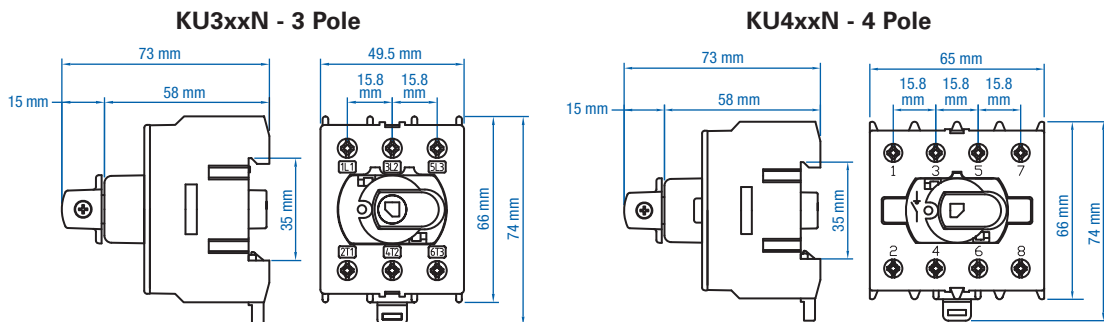
| Horsepower Rating/HP | 1 Phase | | 3 Phase | | 1 Phase | | 3 Phase | | 1 Phase | | 3 Phase | |
|----------------------|-------------|-----|---------|-----|---------|-----|---------|----|---------|----|---------|----|
| | 110-120V AC | 1 | 2 | 1.5 | 3 | 2 | 3 | 3 | 5 | 5 | 7.5 | 10 |
| 200V AC | 1.5 | 3 | 2 | 5 | 3 | 7.5 | 5 | 10 | 7.5 | 10 | 15 | 20 |
| 208V AC | 1.5 | 3 | 2 | 5 | 3 | 7.5 | 5 | 10 | 7.5 | 10 | 15 | 20 |
| 220-240V AC | 2 | 3 | 3 | 5 | 5 | 7.5 | 7.5 | 10 | 10 | 15 | 20 | 25 |
| 265V AC | — | 5 | — | 7.5 | — | 10 | — | 10 | — | 15 | — | 20 |
| 277V AC | — | 5 | — | 7.5 | — | 10 | — | 10 | — | 15 | — | 20 |
| 380-415V AC | — | 7.5 | — | 10 | — | 15 | — | 20 | — | 25 | — | 30 |
| 440-480V AC | — | 10 | — | 15 | — | 20 | — | 25 | — | 30 | — | 35 |
| 550-600V AC | — | 7.5 | — | 10 | — | 15 | — | 25 | — | 30 | — | 35 |

| Short Circuit Withstand Rating at 600 V with Max. Fuse Size/Class: | 10 kA | 10 kA | 10 kA | 10 kA | 10 kA |
|--|-------|-------|-------|-------|-------|
| K5 | 30 A | 30 A | 30 A | 30 A | 30 A |
| RK5 | 30 A | 30 A | 30 A | 30 A | 30 A |
| RK1 | 60 A | 60 A | 60 A | 60 A | 60 A |
| J | 80 A | 80 A | 80 A | 100 A | 100 A |

| Terminal Size Acceptability | 14-8 AWG | 14-8 AWG | 14-8 AWG | 12-4 AWG | 12-4 AWG |
|-----------------------------|---------------------|---------------------|---------------------|---------------------|---------------------|
| (Cu Conductors only, 75 °C) | | | | | |
| Terminal Torque | 16 lb. in. (1.8 Nm) | 16 lb. in. (1.8 Nm) | 16 lb. in. (1.8 Nm) | 16 lb. in. (1.8 Nm) | 16 lb. in. (1.8 Nm) |
| Screw Head Type | No. 2 Pozidrive | No. 2 Pozidrive | No. 2 Pozidrive | No. 2 Pozidrive | No. 2 Pozidrive |

Dimensions

(to convert to inches multiply by 0.03937)



| Weight | 0.172 kg (0.379 lb.) (3 pole) | 0.172 kg (0.379 lb.) (3 pole) | 0.172 kg (0.379 lb.) (3 pole) | 0.200 kg (0.441 lb.) (3 pole) | 0.200 kg (0.441 lb.) (3 pole) |
|--------|-------------------------------|-------------------------------|-------------------------------|-------------------------------|-------------------------------|
| | | 0.215 kg (0.474 lb.) (4 pole) | 0.215 kg (0.474 lb.) (4 pole) | 0.215 kg (0.474 lb.) (4 pole) | 0.245 kg (0.540 lb.) (4 pole) |

Suitable Accessories

Extended Handle Applications (Door Interlock Mechanism)

| Shaft | L(1,2,3)00AD11-ST | L(1,2,3)00AD11-ST | L(1,2,3)00AD11-ST | L(1,2,3)00AD11-ST | L(1,2,3)00AD11-ST |
|------------------|-----------------------------|-----------------------------|-----------------------------|-----------------------------|-----------------------------|
| Handles | LK10 (Y/R) UL, LK11 (Y/R) U | LK10 (Y/R) UL, LK11 (Y/R) U | LK10 (Y/R) UL, LK11 (Y/R) U | LK10 (Y/R) UL, LK11 (Y/R) U | LK10 (Y/R) UL, LK11 (Y/R) U |
| Auxiliary Switch | KU1.V, KU2.V | KU1.V, KU2.V | KU1.V, KU2.V | KU1.V, KU2.V | KU1.V, KU2.V |
| Fuse Holder | — | — | KV 10x38, KV 10x38 CC | — | — |

Direct Handle Applications

| Handle for 3 Pole | K/KU3P (Y/R) | K/KU3P (Y/R) | K/KU3P (Y/R) | K/KU3P (Y/R) | K/KU3P (Y/R) |
|--------------------|----------------------|----------------------|----------------------|----------------------|----------------------|
| Handle for 4 Pole | K/KU4P (Y/R) | K/KU4P (Y/R) | K/KU4P (Y/R) | K/KU4P (Y/R) | K/KU4P (Y/R) |
| Door Mounting Kits | OKA/KU LK10 x; OKA x | OKA/KU LK10 x; OKA x | OKA/KU LK10 x; OKA x | OKA/KU LK10 x; OKA x | OKA/KU LK10 x; OKA x |

AMEYA360

Components Supply Platform

Authorized Distribution Brand :



Website :

Welcome to visit www.ameya360.com

Contact Us :

➤ Address :

401 Building No.5, JiuGe Business Center, Lane 2301, Yishan Rd
Minhang District, Shanghai , China

➤ Sales :

Direct +86 (21) 6401-6692

Email amall@ameya360.com

QQ 800077892

Skype ameyasales1 ameyasales2

➤ Customer Service :

Email service@ameya360.com

➤ Partnership :

Tel +86 (21) 64016692-8333

Email mkt@ameya360.com