

BCR5242

Video/CCD Scanner

MACHINE MOUNT SCANNER



FEATURES

- **VIDEO/CCD imager**

The scanning system is functionally identical to a solid state, one line, TV camera. There are no moving parts to wear out, break or adjust.

- **Triggering Options**

The scanner can be operated with an external trigger or in the autotrigger mode, providing operational flexibility.

- **Viewing Options**

Both end and side scanning models are available. The side scanning option is well suited for extreme space limitations.

- **Large Depth of Field**

The scanner has a depth of field of up to 2 inches (5cm.), allowing considerable flexibility in scanner/label positioning.

- **Small size**

The compact design and convenient mounting make the BCR5242 easy to install in tight quarters.

- **Low power consumption**

The scanner operates at 5VDC and only consumes 130mA of current.

- **Reads all standard symbologies**

Reads and autodiscriminates Code 39, Code 93, Code 128, CODABAR, 2 of 5, 1 of 5 and UPC/EAN

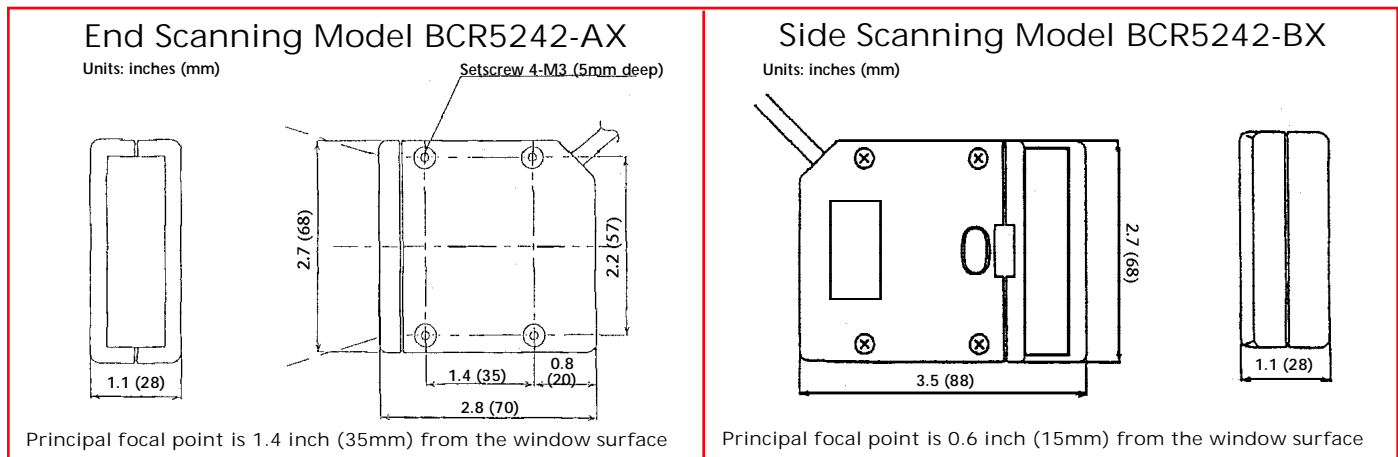
- **Reads poorly printed symbols**

The advanced circuitry and optical design of the BCR5242 allows the scanner to reliably read poor contrast and soiled symbols.

BCR5242 Specifications

Series	BCR 5242
Interface	RS-232-interface is built into scanner
Readable bar codes	CODE39, CODABAR, 2 of 5, I 2 of 5, CODE128 and CODE93, UPC/EAN
Bar code width	3.1 inch (79mm) wide symbol at principal focal point.
Min. resolution	6 mils. (1.5 mm)
Depth of field	2.0 in. (50 mm) TYP. (UPC/EAN standard label x 1, PCS: 0.9)
Scan Rate	120 scans/sec.
Light source	Red LED (wavelength: 660nm)
Detecting element	VIDEO/CCD imager-one line/2048 pixels
Min. PCS value	0.3 (white reflection: 85% or more)
Reading start method	Auto or manual triggering
Reading indicator	Beeper and LED
Set up	Symbology and RS-232 variables are set by bar code menu or host computer
Power requirements	130mA at 5 VDC +/- 5%
Weight (without cable)	4.2 oz. (120 g)
Cable length	6.6 ft. (2 m)
Max. external illumination	8000 lux
Operating temperature	32° F to 104°F (0°C to 40°C)
Operating humidity	20% to 85% RH (non-condensing)
EMI/RFI standard	FCC Class A

Mechanical Design



BCR5242 Ordering Number Chart

Model Configuration	PC COM port End Scan	PC COM port Side Scan	Omron PLC End Scan	Omron PLC Side Scan
Omron Part Number	BCR5242-AR	BCR5242-BR	BCR5242-AP	BCR5242-BP

DENSEI USA

2030 Silver Lake Road, Suite 120
New Brighton, MN 55112
Tel: 651-636-3030
Fax: 651-636-2950
Toll Free: 888-410-3030

e-mail: support@densei.com
Website: <http://www.densei.com>

*Specifications are subject to change without notice.

Omron Electronics, Inc.

One Commerce Drive
Schaumburg, Illinois 60173-5302
Tel: 847-834-7900
Fax: 847-843-8261
Toll Free: 800-55-OMRON

website, global: <http://www.omron.com>
website, USA: <http://www.omron.com/oei>

TS20024/800
Printed in USA

AMEYA360

Components Supply Platform

Authorized Distribution Brand :



Website :

Welcome to visit www.ameya360.com

Contact Us :

➤ Address :

401 Building No.5, JiuGe Business Center, Lane 2301, Yishan Rd
Minhang District, Shanghai , China

➤ Sales :

Direct +86 (21) 6401-6692

Email amall@ameya360.com

QQ 800077892

Skype [ameyasales1](#) [ameyasales2](#)

➤ Customer Service :

Email service@ameya360.com

➤ Partnership :

Tel +86 (21) 64016692-8333

Email mkt@ameya360.com