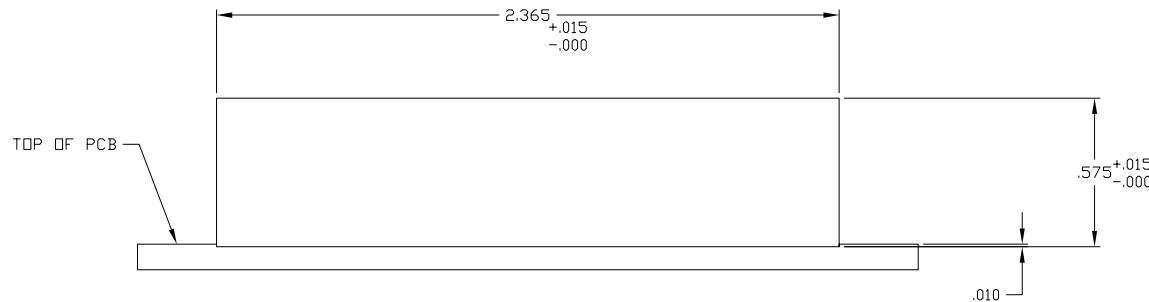
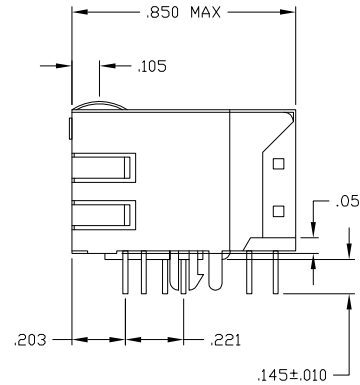
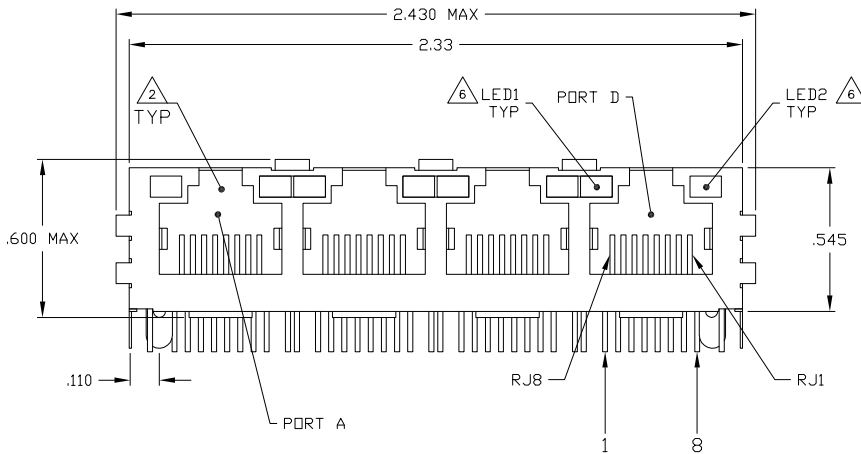
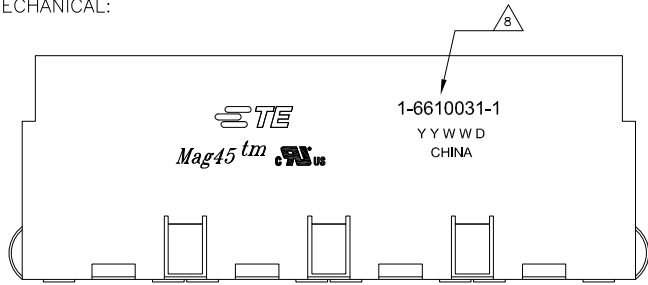


LOC	DATE	REVISIONS		
AA	22			
#	DESCRIPTION	DATE	BY	APP
B1	REVISED PER ECO-09-024927	17DEC09	KK	AEG
C	ECO-11-015769	30MAY2011	EL	LR

MECHANICAL:



1X4 SUGGESTED PANEL CUTOUT

- 1 MATERIALS:  
 -HOUSING - THERMOPLASTIC PET POLYESTER FLAMMABILITY RATING UL 94V-0.  
 -SHIELD - .010" THICK, C26800 BRASS PREPLATED WITH 30μINCH MIN SEMI-BRIGHT NICKEL.  
 SOLDER TABS POST DIPPED WITH 100μINCH MIN SAC SOLDER.  
 -MOD JACK CONTACTS - 0.0157 X 0.018" PHOSPHOR BRONZE, 50μINCH MIN OVERALL NICKEL UNDERPLATE WITH SELECT 50μINCH MIN HARD GOLD FINISH PLATE. SOLDER TAILS WITH 100μINCH MIN MATTE TIN AND/OR SAC SOLDER DIP.  
 -LIGHT EMITTING DIODE(LED) - DIFFUSED EPOXY LENS, .020" X .020" CARBON STEEL WIREFRAME LEADS PRE-PLATED WITH 80μINCH SILVER OVER 40μINCH NICKEL UNDERPLATE OVER 40μINCH COPPER UNDERPLATE. POST-PLATED WITH 100μINCH MATTE TIN AND/OR SAC SOLDER DIP OR PURE TIN SOLDER DIP.

- 2 RJ45 JACK CAVITY CONFORMS TO FCC RULES AND REGULATIONS PART 68, SUB PART F.

- 3 MAGNETICS  
 -IMPEDANCE: 100 OHMS  
 -TURNS RATIO (CHIP CABLE): TX = 11, RX = 11  
 -OPEN CIRCUIT INDUCTANCE (OCL): 350μH MIN @100kHz, 0.1VRMS, 8mADC BIAS FROM 0iΩ TO 70iΩ, TX AND RX  
 -PERFORMANCE @ 25iΩ:  
 INSERTION LOSS (IL): 1.1dB MAX FROM 0.5MHz TO 100MHz  
 RETURN LOSS (RL): 18dB MIN FROM 0.5MHz TO 30MHz  
 18-20LOG(f/30dB) MIN FROM 30.1MHz TO 60MHz  
 12dB MIN FROM 60.1MHz TO 80MHz  
 CROSSTALK ATTENUATION: 35dB MIN FROM 0.5MHz TO 40MHz  
 33-20\*LOG(f/50dB) MIN FROM 40.1MHz TO 100MHz  
 COMMON MODE REJECTION RATIO (CMRR): 30dB MIN FROM 0.5MHz TO 100MHz  
 -ISOLATION VOLTAGE: 2250VDC (MAX) FOR 60 SECONDS WITH A RISE TIME OF 500V/SEC AND WITH ALL PORTS CONNECTED.

- 4 C1 IS AN OPTIONAL CAPACITOR. IF NO CAPACITOR, TRACE IS CONTINUOUS. SEE TABLE FOR PRESENCE OF CAPACITOR IN DIFFERENT CONFIGURATIONS.

5. OPERATING TEMPERATURE: FROM 0iΩ TO +70iΩC

- 6 THE 250 OHM LED RESISTORS ARE OPTIONAL. PLEASE SEE CHART FOR PRESENCE OR ABSENCE OF LED RESISTORS. IF THE LED WITHOUT 250 OHM RESISTORS, LED IS DRIVEN WITH CONSTANT CURRENT AT APPROX 20mA.  
 LED COLOR : DOMINANT WAVELENGTH (λD): GREEN 568 nm TYP. @ IF=20mA  
 FORWARD VOLTAGE (VF): GREEN 2.2V TYP. @ IF=20mA  
 DOMINANT WAVELENGTH (λD): YELLOW 588 nm TYP. @ IF=20mA  
 FORWARD VOLTAGE (VF): YELLOW 2.1V TYP. @ IF=20mA  
 DOMINANT WAVELENGTH (λD): ORANGE 605 nm TYP. @ IF=20mA  
 FORWARD VOLTAGE (VF): ORANGE 2.05V TYP. @ IF=20mA.  
 IF THE LED WITH 250 OHM RESISTORS, LED IS DRIVEN WITH 5V VOLTAGE AND THE MAX OPERATING CURRENT IS 20mA.  
 LED COLOR : DOMINANT WAVELENGTH (λD): GREEN 568 nm TYP. @ VF=5V  
 FORWARD CURRENT (IF): GREEN 12 mA TYP. @ VF=5V  
 DOMINANT WAVELENGTH (λD): YELLOW 588 nm TYP. @ VF=5V  
 FORWARD CURRENT (IF): YELLOW 13 mA TYP. @ VF=5V

- 7 INDICATED CONNECTIONS ARE FOR HUB CONFIGURATION. THE MAGNETICS ARE ASYMMETRICAL AND DO NOT SUPPORT AUTO-MDI/MDIX.

- 8 TE CONNECTIVITY LOGO, PART NUMBER, DATE CODE, COUNTRY OF ORIGIN AND AGENCY APPROVAL MARKING IN APPROXIMATE LOCATION SHOWN.

9. THESE PARTS ARE RECOMMENDED FOR WAVE SOLDERING PROCESS, PEAK WAVE SOLDERING TEMPERATURE IS 265iΩC, 10SECONDS MAX.

10. OBSOLETE PARTS: OBSOLETE CIS STREAMLINING PER D.RENAUD/D.SINISI

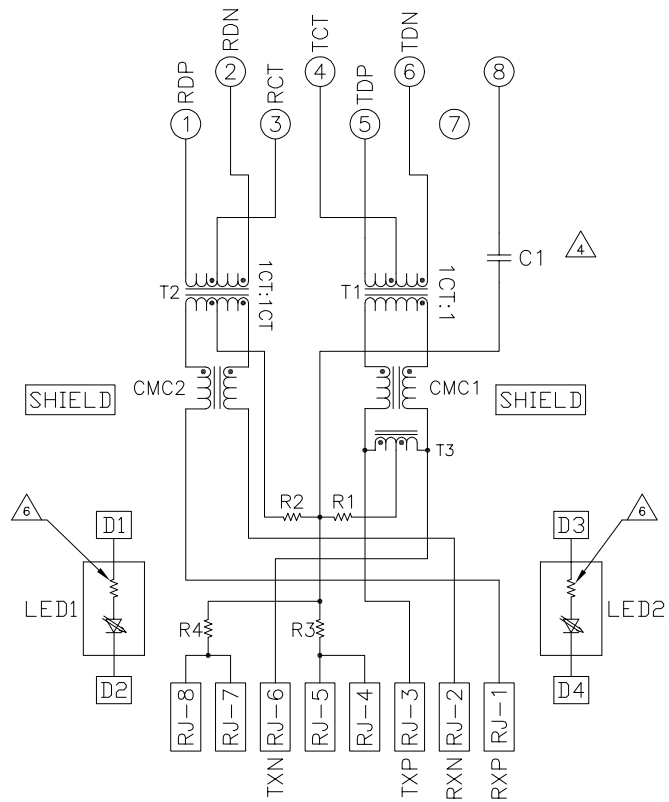
OBsolete	YES	YES	GREEN	GREEN	6-6610031-1
	NO	YES	GREEN	GREEN	5-6610031-7
	YES	YES	YELLOW	GREEN	5-6610031-2
	YES	YES	GREEN	YELLOW	5-6610031-1
OBsolete	YES	NO	GREEN	GREEN	4-6610031-1

LED RESISTOR	DECOUPLING CAPACITOR	LED1	LED2	PART NUMBER
6	4			

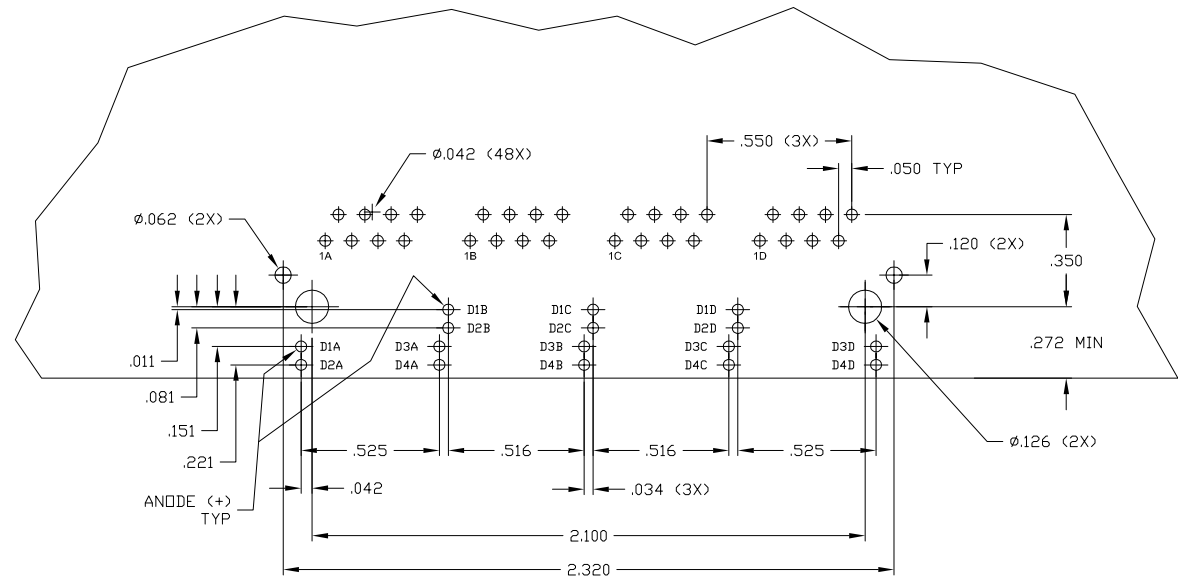
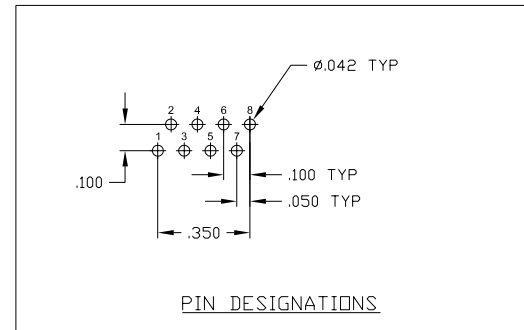
  

THIS DRAWING IS A CONTROLLED DOCUMENT.		REV. 1	DATE	BY	APP
DRAWN BY: VARELA - 02/03/03					
CHECKED BY: FAROLE - 02/03/03					
APPROVED BY: FAROLE - 02/03/03					
NAME: D. FAROLE		TE Connectivity			
PRODUCT SPEC: 108-2100		1X4 MAG45(TM) MODULAR JACK, 7HS SCHEMATIC, 54 SERIES CIRCUIT, OPTIONAL DECOUPLING CAPACITOR, SHIELDED, WITH LEADS			
APPLICATION SPEC:		SIZE: 4:1			
MATERIAL: FINISH:		WEIGHT: A100779C-6610031			
RESTRICTED TO:		CUSTOMER DRAWING			


754 SERIES MAGNETIC CIRCUIT 



C1 = 1000pF, 2kV DECOUPLING CAPACITOR  
 R1-R4 = 75 OHMS, 1/16W, 5% RESISTORS



SUGGESTED PCB LAYOUT  
 (Component Side)

THIS DRAWING IS A CONTROLLED DOCUMENT.		REV	1	VARLELA	10MAR2003	 TE Connectivity
DRAWN BY		CHK	2	FAROLE	10MAR2003	
DIMENSIONS:		UNLESS OTHERWISE SPECIFIED:		NAME		1X4 MAG45(TW) MODULAR JACK, 7HS SCHEMATIC, 54 SERIES CIRCUIT, OPTIONAL DECOUPLING CAPACITOR, SHIELDED, WITH LEADS
INCHES		UNLESS OTHERWISE SPECIFIED:		APPLICATION SPEC		
0 P.C. ± .010 1 P.C. ± .010 2 P.C. ± .010 3 P.C. ± .008 4 P.C. ± .008 ANGLES ± .5°		0 P.C. ± .010 1 P.C. ± .010 2 P.C. ± .008 3 P.C. ± .008 4 P.C. ± .008 ANGLES ± .5°		PRODUCT SPEC 108-2100		
MATERIAL		FINISH		SIZE   CAGE CODE   DRAWING NO. A1   00779   C-6610031		
				WEIGHT   SCALE   SHEET   REV ---   4:1   2 of 2   C		
				CUSTOMER DRAWING		

# AMEYA360

## Components Supply Platform

### Authorized Distribution Brand :



### Website :

Welcome to visit [www.ameya360.com](http://www.ameya360.com)

### Contact Us :

#### ➤ Address :

401 Building No.5, JiuGe Business Center, Lane 2301, Yishan Rd  
Minhang District, Shanghai , China

#### ➤ Sales :

Direct +86 (21) 6401-6692

Email [amall@ameya360.com](mailto:amall@ameya360.com)

QQ 800077892

Skype [ameyasales1](#) [ameyasales2](#)

#### ➤ Customer Service :

Email [service@ameya360.com](mailto:service@ameya360.com)

#### ➤ Partnership :

Tel +86 (21) 64016692-8333

Email [mkt@ameya360.com](mailto:mkt@ameya360.com)