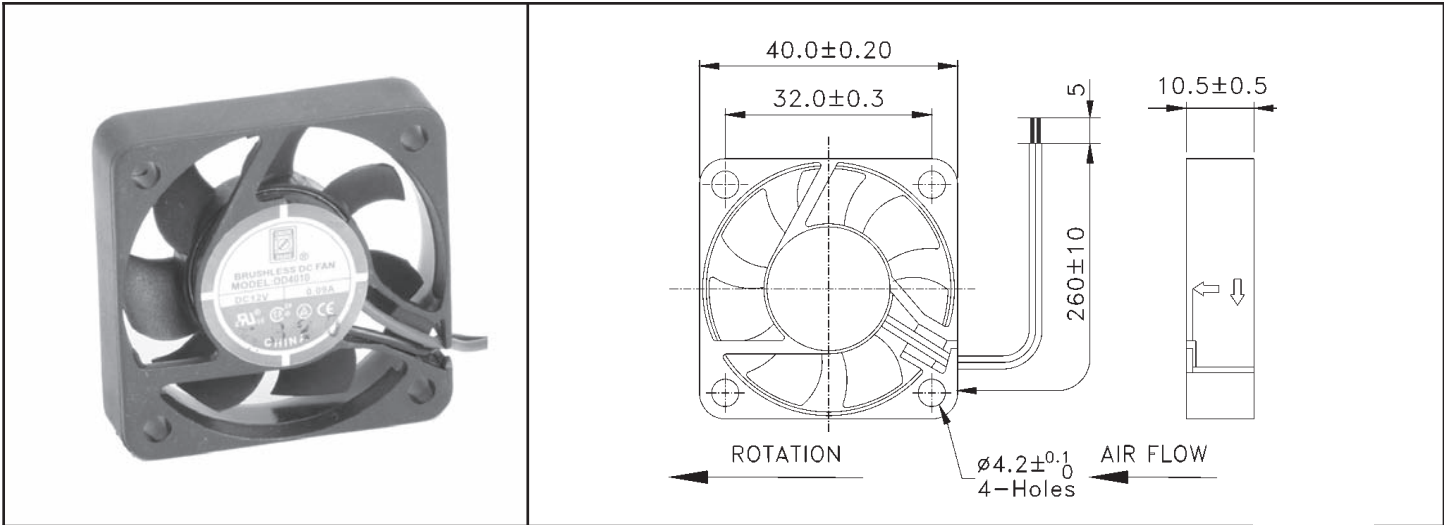


OD4010 Series



DC Fan - 5, 12, 24V
40x10mm (1.58"x 0.39")



Frame & Impeller	PBT, UL94V-O plastic	Available Options: Tachometer Alarm Thermal control Sleeve bearing IP55 Life Expectancy (L10) Ball - 60,000 hrs (45C) Sleeve - 30,000 hrs (45C) Operating Temperature Ball: -20 ~ 80C	
Connection	2x Lead wires 26AWG		
Motor	Brushless DC, auto restart, impedance and polarity protected		
Bearing System	Ball bearing		
Insulation Resistance	10M ohm between leadwire and frame (500VDC)		
Dielectric Strength	1 second at 500 VAC, max leakage - 500 MicroAmp		
Storage Temperature	-30C ~ +90C		

Model Number	Speed (RPM)	Airflow (CFM)	Noise (dB)	Volts DC	Voltage Range (VDC)	Amps	Max. Static Pressure ("H2O)
OD4010-05HB	6000	7	25	5	4 ~ 7	0.16	0.10
OD4010-05MB	4800	6	20	5	4 ~ 7	0.11	0.08
OD4010-05LB	4200	5	14	5	4 ~ 7	0.07	0.06
OD4010-12HB	6000	7	25	12	7 ~ 14	0.09	0.10
OD4010-12MB	4800	6	20	12	7 ~ 14	0.06	0.08
OD4010-12LB	4200	5	14	12	7 ~ 14	0.06	0.06
OD4010-24HB	6000	7	25	24	10 ~ 27	0.06	0.10
OD4010-24MB	4800	6	20	24	10 ~ 27	0.04	0.08
OD4010-24LB	4200	5	14	24	10 ~ 27	0.03	0.06

AMEYA360

Components Supply Platform

Authorized Distribution Brand :



Website :

Welcome to visit www.ameya360.com

Contact Us :

➤ Address :

401 Building No.5, JiuGe Business Center, Lane 2301, Yishan Rd
Minhang District, Shanghai , China

➤ Sales :

Direct +86 (21) 6401-6692

Email amall@ameya360.com

QQ 800077892

Skype [ameyasales1](https://www.skype.com/people/ameyasales1) [ameyasales2](https://www.skype.com/people/ameyasales2)

➤ Customer Service :

Email service@ameya360.com

➤ Partnership :

Tel +86 (21) 64016692-8333

Email mkt@ameya360.com