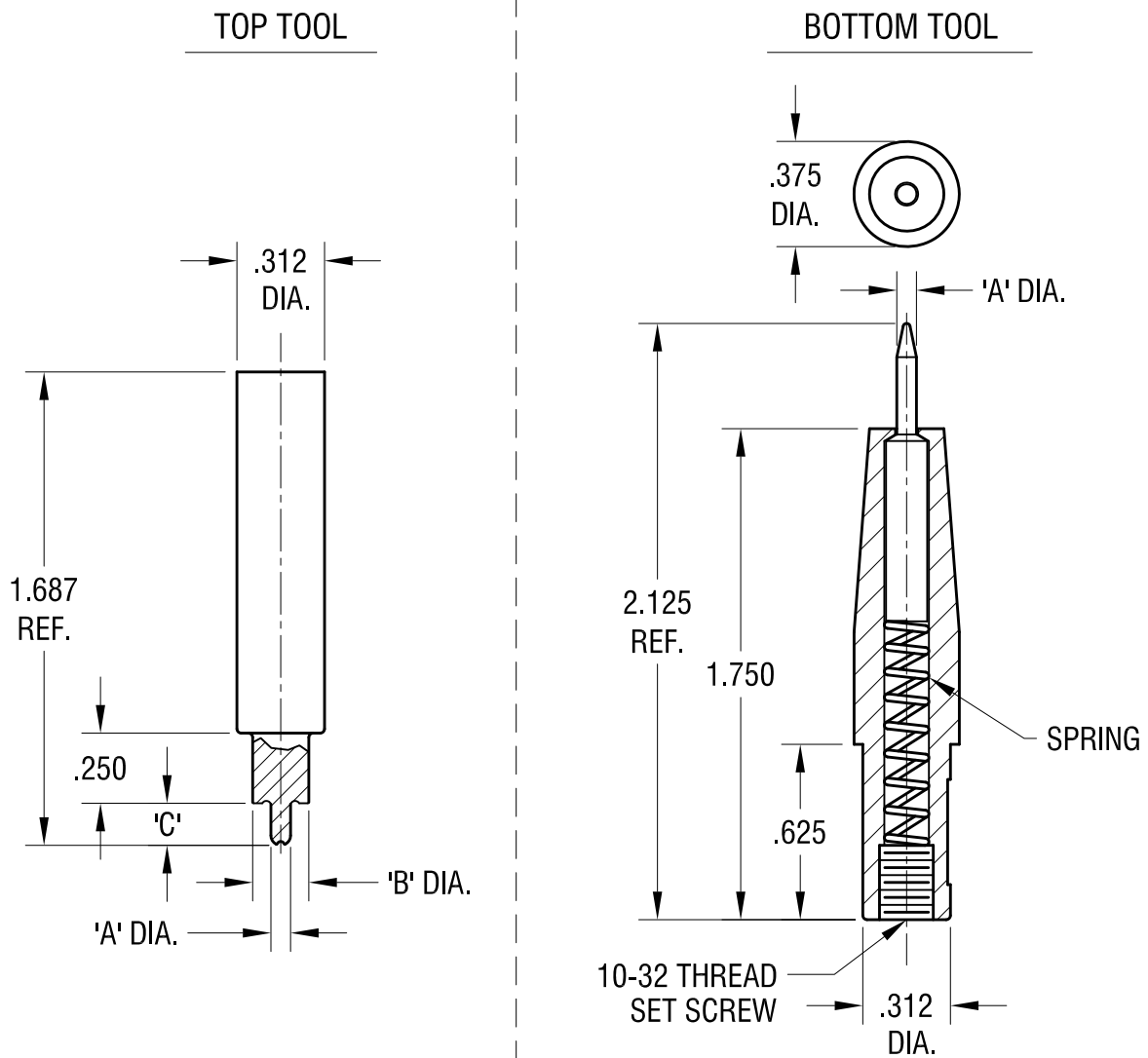


THIS DOCUMENT IS THE PROPERTY OF
KEYSTONE ELECTRONICS CORP. AND
SHALL NOT BE REPRODUCED, DISTRIBUTED
OR USED AS A BASIS FOR MANUFACTURE
WITHOUT PRIOR WRITTEN PERMISSION
FROM KEYSTONE ELECTRONICS CORP.



PART NO.	'A' DIA.	'B' DIA.	'C' DIM.	FOR EYELET
3075	.043 [1.09]	.150 [3.18]	.125 [3.18]	.062 [1.57]
3076	.070 [1.78]	.150 [3.18]	.150 [3.18]	.093 [2.36]
3077	.098 [2.49]	.200 [5.08]	.187 [4.75]	.125 [3.18]

KEYSTONE ELECTRONICS CORP.

ASTORIA, N.Y. 11105-2017

PART NAME

TOP & BOTTOM EYELET STAKING TOOL

MATERIAL

DRILL ROD

FINISH

-

DRN BY

BOONE

DATE

5.26.04

APP'D

LN

SCALE

1.5X

TOLERANCES INCH [MM]

DECIMAL $\pm .010$ [\pm]

ANGULAR $\pm 1^\circ$
UNLESS OTHERWISE SPECIFIED

CODE

C/M

DWG NO.

3075-3077

DATE

DESCRIPTION

REV.

AMEYA360

Components Supply Platform

Authorized Distribution Brand :



Website :

Welcome to visit www.ameya360.com

Contact Us :

➤ Address :

401 Building No.5, JiuGe Business Center, Lane 2301, Yishan Rd
Minhang District, Shanghai , China

➤ Sales :

Direct +86 (21) 6401-6692

Email amall@ameya360.com

QQ 800077892

Skype [ameyasales1](#) [ameyasales2](#)

➤ Customer Service :

Email service@ameya360.com

➤ Partnership :

Tel +86 (21) 64016692-8333

Email mkt@ameya360.com