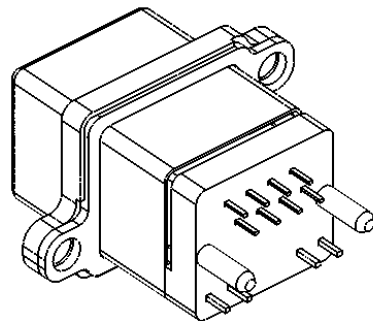
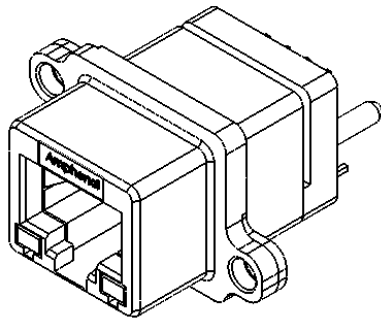


ORDERING CODE: M R J - 5 4 8 X - X 1

SERIES, RUGGED RJ
 RECEPTACLE
 VERTICAL MOUNT
 NUMBER OF CONTACTS
 LED OPTION
 0=NONE
 1=GREEN LEFT, YELLOW RIGHT
 4=YELLOW LEFT, GREEN RIGHT
 5=GREEN LEFT, GREEN RIGHT
 CONTACT TAIL OPTION
 0=TAIL LENGTH A=2.54 [.100]
 B=TAIL LENGTH A=3.81 [.150]
 SINGLE PORT



NOTES:

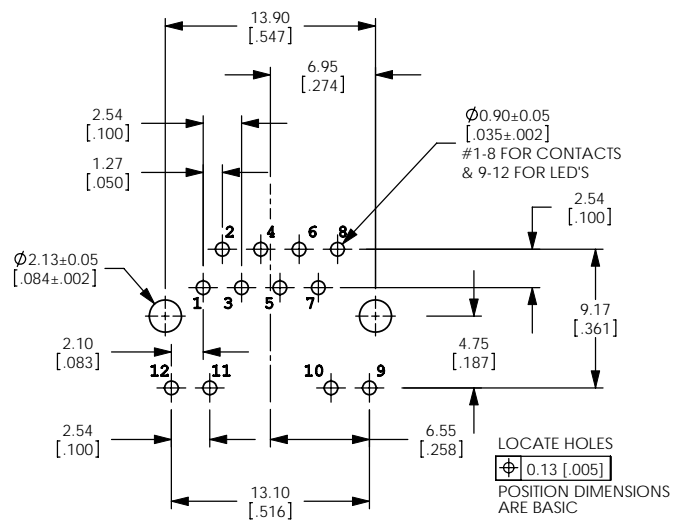
- MATERIAL:
 ALL MATERIALS ARE ROHS COMPLIANT PER EU DIRECTIVE 2002/95/EC AND AMENDMENTS
 • SHELL - DIECAST ZINC, NICKEL PLATED
 • CONTACTS - PHOSPHOR BRONZE WITH 50 MICROINCHES (1.27 MICRONS) GOLD OVER 50 MICROINCHES (1.27 MICRONS) MINIMUM NICKEL ON THE MATING AREA AND MATTE TIN OVER NICKEL ON THE CONTACT TAILS.
 • INSERTS - ENGINEERING THERMOPLASTIC, UL FLAMMABILITY RATING 94V-0, REAR INSERTS - BLACK NYLON, FRONT INSERT: CLEAR POLYCARBONATE.
 • GASKET - SILICONE RUBBER
 • LED'S - EPOXY LENS, STEEL TAILS WITH TIN PLATING
- ENVIRONMENTAL PERFORMANCE PER IEC 60529 CODE IP67 FOR SEAL BETWEEN MATING AREA AND PCB SIDE OF CONNECTOR. GASKET PROVIDES FOR SEAL TO INSIDE FACE OF PANEL.
- CURRENT RATING: 1.5 AMPERES.
- CONTACT RESISTANCE: 30 MILLIOHMS MAXIMUM.
- OPERATING TEMPERATURE: -40°C TO +105°C.
- AVAILABLE MATING AREA COVERS PROVIDE ADDED PROTECTION. CONSULT WITH AMPHENOL CANADA FOR DETAILS.
- CUSTOMER TO VERIFY THAT ANY PROCESS CLEANERS USED ARE COMPATIBLE WITH POLYCARBONATE MATERIAL.



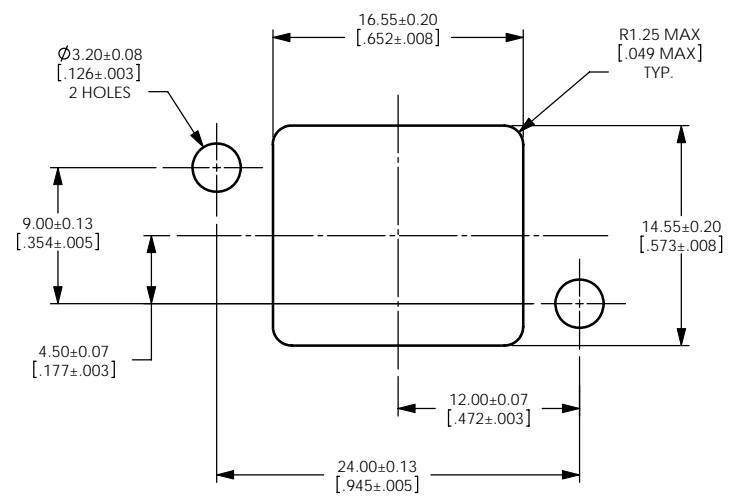
PROPRIETARY AND CONFIDENTIAL
 THIS DOCUMENT CONTAINS PROPRIETARY INFORMATION AND SUCH INFORMATION MAY NOT BE DISCLOSED TO OTHERS FOR ANY PURPOSE OR USED FOR MANUFACTURING PURPOSES WITHOUT WRITTEN PERMISSION FROM AMPHENOL CANADA CORP.

UNLESS OTHERWISE SPECIFIED:		DATE	Amphenol Canada Corp.
DIMENSIONS ARE IN MILLIMETERS		JUN14/07	
FRACTIONAL ±	DESIGNED	A. DODDS	TITLE:
ANGULAR MATCH ± BEND ±	CHECKED	K. LAMBE	MRJ SERIES RUGGED MODULAR JACK, 8 POSITION VERTICAL, LED & TAIL LENGTH OPTIONS, FRONT PANEL MOUNT, ROHS COMPLIANT
TWO PLACE DECIMAL ±	I. E. APPRD.		SIZE DWG. NO.
THREE PLACE DECIMAL ±	D. A. APPRD.		C P-MRJ-548X-X1 B
INTERPRET GEOMETRIC TOLERANCING PER:	DWG. APPRD.		REV
MATERIAL	ENG. REL. NO.	EAR E13130	
FINISH	CODE ID. NO.		
APPLICATION	DO NOT SCALE DRAWING		SCALE: 3:1 WEIGHT: SHEET 1 OF 2

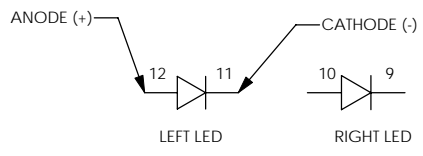
REVISIONS			
REV	ECN, ERN NO.	DATE	APPRD.
B	PRODUCT DRAWING (EAR 13276)	JUN06/08	K.L.



RECOMMENDED P.C.B. LAYOUT
(COMPONENT SIDE OF BOARD)



RECOMMENDED PANEL CUTOUT
(FRONT OF PANEL)



LED SCHEMATIC
(GREEN OR YELLOW)



PROPRIETARY AND CONFIDENTIAL
THIS DOCUMENT CONTAINS PROPRIETARY INFORMATION AND SUCH INFORMATION MAY NOT BE DISCLOSED TO OTHERS FOR ANY PURPOSE OR USED FOR MANUFACTURING PURPOSES WITHOUT WRITTEN PERMISSION FROM AMPHENOL CANADA CORP.

UNLESS OTHERWISE SPECIFIED:		DATE	Amphenol Canada Corp.
DIMENSIONS ARE IN MILLIMETERS		DRAWN: A.DODDS JUN14/07	
TOLERANCES:		DESIGNED	TITLE: MRJ SERIES RUGGED MODULAR JACK, 8 POSITION VERTICAL, LED OPTIONS, FRONT PANEL MOUNT, RoHS COMPLIANT
FRACTIONAL: ±		CHECKED: K.LAMBE JUN14/07	
ANGULAR: MATCH BEND ±		I.E. APPRD.	
TWO PLACE DECIMAL ±		D.A. APPRD.	SIZE DWG. NO.
THREE PLACE DECIMAL ±		DWG. APPRD.	C P-MRJ-548X-X1
INTERPRET GEOMETRIC TOLERANCING PER:		ENG. REL. NO. EAR E13130	REV
MATERIAL:		REF.	B
NEXT ASSY	USED ON	FINISH	SCALE: 4:1
APPLICATION	DO NOT SCALE DRAWING	DIMENSIONS ARE IN MILLIMETERS	WEIGHT:
		CODE ID. NO.	SHEET 2 OF 2

AMEYA360

Components Supply Platform

Authorized Distribution Brand :



Website :

Welcome to visit www.ameya360.com

Contact Us :

➤ Address :

401 Building No.5, JiuGe Business Center, Lane 2301, Yishan Rd
Minhang District, Shanghai , China

➤ Sales :

Direct +86 (21) 6401-6692

Email amall@ameya360.com

QQ 800077892

Skype [ameyasales1](#) [ameyasales2](#)

➤ Customer Service :

Email service@ameya360.com

➤ Partnership :

Tel +86 (21) 64016692-8333

Email mkt@ameya360.com