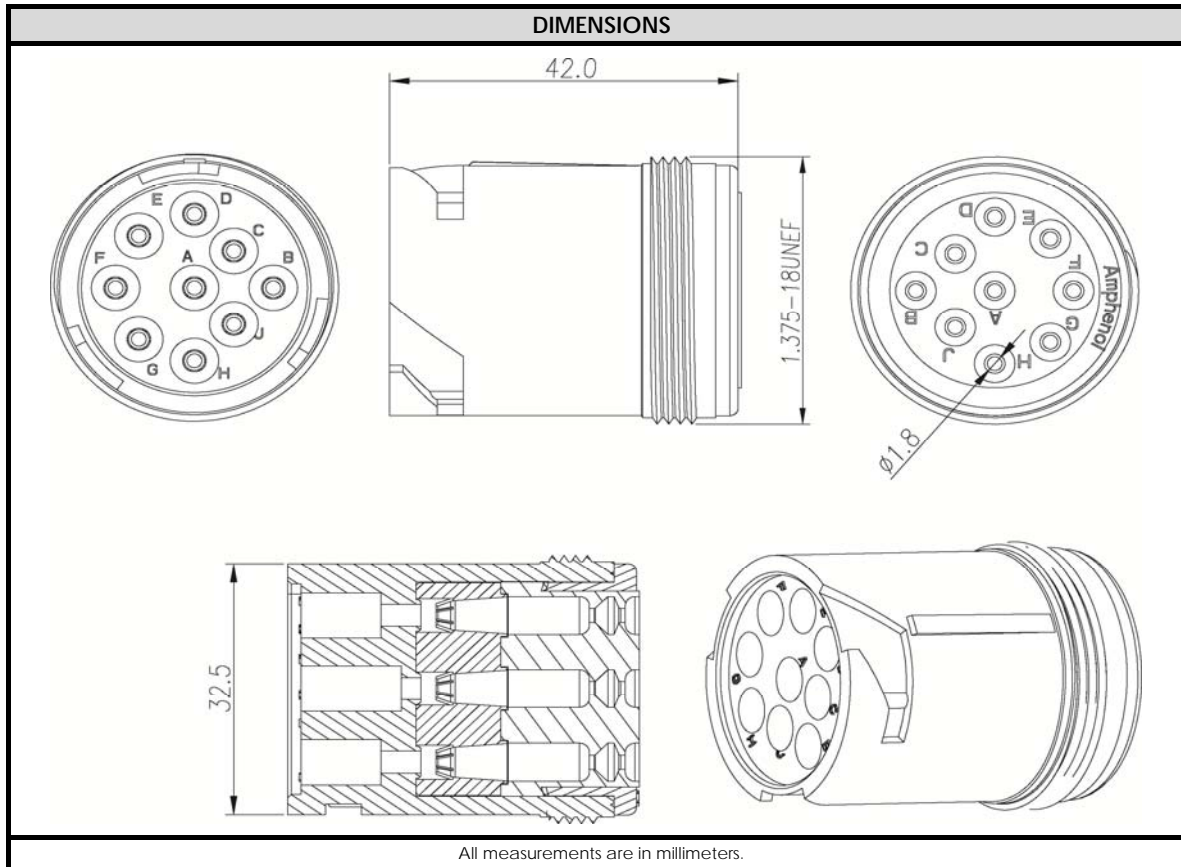


CONFIGURATION	PART NUMBER
HD Series™ 9 PIN RECEPTACLE - INLINE 9 (NON-J1939)	AHD14-9-96P



TECHNICAL DATA:	
PHYSICAL SHOCK	MILITARY STYLE: NO LOCKING, UNMATING OR OTHER UNSATISFACTORY RESULTS AFTER 50G'S IN EACH OF THREE MUTUALLY PERPENDICULAR PLANES.
DIELECTRICAL STRENGTH	DIAGNOSTIC GRADE / MILITARY STYLE: 1500 VOLTS MINIMUM
VIBRATION	MILITARY STYLE: MAINTAINS CONTINUITY AND EXHIBITS NO MECHANICAL OR PHYSICAL DAMAGE AFTER VIBRATION. (20G'S AT 10-2000Hz)
TEMPERATURE	DIAGNOSTIC GRADE / MILITARY STYLE: OPERATING TEMPERATURE RANGE: -55C TO +125C AT RATED CURRENT.
INSULATION RESISTANCE	DIAGNOSTIC GRADE / MILITARY STYLE: 1000 MEGOHMS MINIMUM AT 25C
DURABILITY	DIAGNOSTIC GRADE / MILITARY STYLE: NO ELECTRICAL OR MECHANICAL DEFECTS AFTER 100 CYCLES OF ENGAGEMENT AND DISENGAGEMENT.
CORROSION RESISTANCE	DIAGNOSTIC GRADE / MILITARY STYLE: CONNECTORS SHOW NO EVIDENCE OF CORROSION AFTER EXPOSURE TO 48 HOURS OF SALT SPRAY PER MIL-STD METHOD 1001.
REV: NC DATE 5-JAN-2012	

© 2011 Amphenol Sine Systems Corporation. Every effort has been made to ensure that the information contained in this document is accurate at the time of publication. Specifications or information stated in this publication are subject to change without notice.

AMEYA360

Components Supply Platform

Authorized Distribution Brand :



Website :

Welcome to visit www.ameya360.com

Contact Us :

➤ Address :

401 Building No.5, JiuGe Business Center, Lane 2301, Yishan Rd
Minhang District, Shanghai , China

➤ Sales :

Direct +86 (21) 6401-6692

Email amall@ameya360.com

QQ 800077892

Skype [ameyasales1](#) [ameyasales2](#)

➤ Customer Service :

Email service@ameya360.com

➤ Partnership :

Tel +86 (21) 64016692-8333

Email mkt@ameya360.com