

SPECIFICATIONS
OF
VIBRATION DETECTION SWITCH

MODEL NAME : D7E-2

OUTLINE DRAWING NO. 6 4 2 1 3 7 6 - 2

WRITTEN: Y. Kamihashi Aug 5, 1997

CHECKED: S. Mori Aug 5, 1997

APPROVED: N. Ashikaga Aug. 5. 1997

OMRON CORPORATION

OMRON

2. ELECTRICAL CHARACTERISTICS**2-1 Ratings**

5VDC, 0.1mA to 30VDC, 100mA (Resistive load)

2-2 Insulation resistance and dielectric strength

Measuring parts	Insulation resistance (250 VDC Megger)	Dielectric* strength (50 to 60 Hz 1 minute)
Between each terminal ** of the same polarity	100 M Ω MIN.	250 VAC

* Leak current is 1mA MAX.

** To measure off condition

2-3 Contact resistance100 m Ω MAX. (Initial value)**3. MECHANICAL CHARACTERISTICS****3-1 Vibration during transporting**

Must be free from any malfunctions both electrically and mechanically

Condition Vibration : 200 Gal (1cycle : 0.5 sec.)

Vibration direction : in the three axial directions

Time : Total 50 hours

* Operating seismic intensity should be 100 to 170gal.

3-2 Shock

Must be free from any malfunctions both electrically and mechanically

Condition Acceleration : 980 m/s² (100G) 3 times

Shock direction : in the three axial directions

3-3 Shock during transporting

Must be free from any malfunctions both electrically and mechanically

The box which packaged switches are dropped from 50±1cm high toward a composite plate.

(thickness 30mm MIN.)

3-4 Terminal strength

Must be free from any malfunctions both electrically and mechanically (Refer to Note2.)

Apply force to the terminal, 78.4N vertically and 49N horizontally ,1 minute each.

OMRON

4. ENVIRONMENT CHARACTERISTICS

4-1 Operating temperature and humidity

Temperature : -25°C to + 60°C (No icing and condensation)

Humidity : 45 to 95 %RH

4-2 Storage temperature and humidity

Temperature : -25°C to + 60°C (No icing and condensation)

Humidity : 45 to 95 %RH

5. ENDURANCE CHARACTERISTICS

5-1 Salt spray

The switch is sprayed with $5 \pm 0.5\%$ salt water for 96 hours.

No remarkable corrosion is allowed and must be free from any malfunctions both electrically and mechanically

Contact resistance should be 100 Ω MAX. (To measure after salt is removed by water and the switch dries well.)

5-2 Moisture Endurance

Must be free from any malfunctions both electrically and mechanically after the switch is left in a temperature of $40 \pm 2^\circ\text{C}$ and humidity of 90 to 98%RH for 240 hours. (To measure after the switch dries well.)

5-3 Oil Endurance

Change of weight must be 20% MAX. after the switch is dipped in Gasoline 1 at $20 \pm 5^\circ\text{C}$ for 24 hours.

5-4 Heat Endurance

Must be free from any malfunctions both electrically and mechanically after the switch is left in a temperature of $70 \pm 5^\circ\text{C}$ for 96 hours.

5-5 Cold Endurance

Must be free from any malfunctions both electrically and mechanically after the switch is left in a temperature of $-35 \pm 5^\circ\text{C}$ for 96 hours.

5-6 High temperature/humidity

Must be free from any malfunctions both electrically and mechanically after the switch is left in a temperature of $70 \pm 2^\circ\text{C}$ and humidity of 90 to 98%RH for 240 hours.

OMRON

5-7 Corrosive gas

H₂S : 3±1ppm, SO₂ : 10±3ppm, 40°C, 75%RH, 96 hours

Must be free from any malfunctions both electrically and mechanically after the switch is left under above condition. Contact resistance should be 100 Ω MAX.

6. ELECTRICAL SERVICE LIFE

Must be free from any malfunctions both electrically and mechanically after 5,000 operations under the rated resistive load of 30VDC, 100mA at a frequency of 10 to 20 operations per minute.

7. OTHERS**Note1.**

1) If mounting surface is warped, there is a possibility that switch performance might be changed because of switch deformation when it's mounted. (Warp of mounting surface : 0.3mm MAX.)

Use two M3 screws with spring washers to mount the switch.

Tighten the screws to a torque of 0.4N to 0.6N·m (4 to 6kgf·cm).

2) Do not set the switch where its mechanically characteristics is affected badly, like door opening, car passage and other vibration and shock.

3) Do not put the switch in direct sunshine.

4) Mechanical deterioration caused by water cleaning, water covered, leak of oil and other organic solvent. Is not guaranteed by us.

Note2.

To be evaluated as "free from any malfunctions both electrically and mechanically" the switch must satisfy following requirements.

When installed the sensor at 0.5 degree from the horizontal.

1) Contact resistance 1 Ω MAX.

2) Insulation resistance 10M Ω MIN. (250VDC meggar)

3) Operating seismic intensity More than ±20% of specified range is not acceptable

4) Dielectric strength 250VAC 50/60Hz for 1 minute (Leak current : 1mA MAX.)

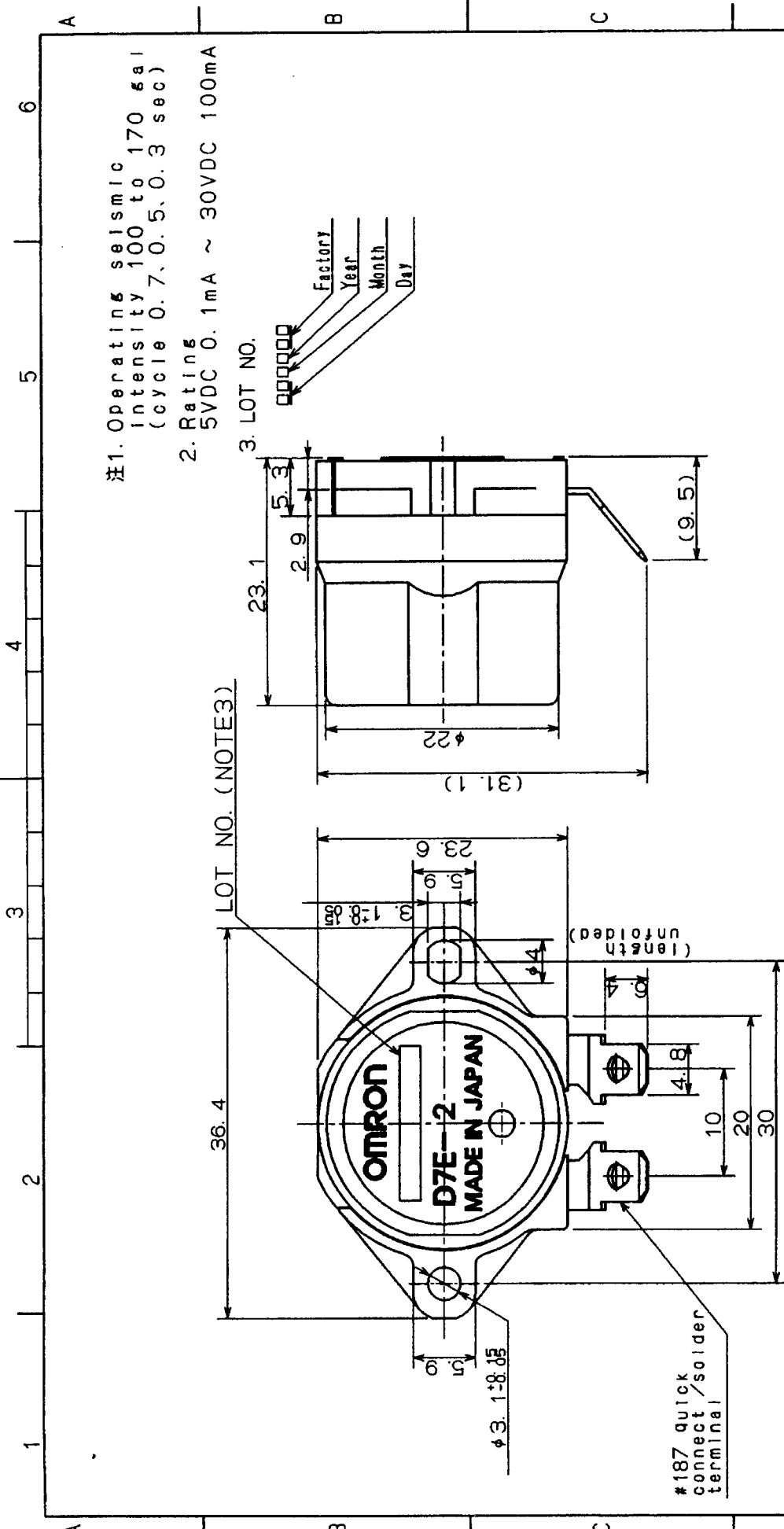
Note3.

This specification is invalid if we receive no approval or no order replacement of yours within a year since this is submitted. In a case of service parts, we will replace with new specifications.

Note4.

Others not included in this specifications are subjects to change without notice

OMRON



注1. Operating seismic intensity 100 to 170 gal (cycle 0.7, 0.5, 0.3 sec)
 2. Rating 5VDC 0.1mA ~ 30VDC 100mA

LOT NO. (NOTES)

3. LOT NO.
 Factory
 Year
 Month
 Day

#187 quick connect/solder terminal

MATERIAL		SCALE		THE MODEL D7E-2	
FINISH		2:1		VIBRATION DETECTION SWITCH	
TOLERANCES UNLESS SPECIFIED		3RD ANGLE		OUTLINE DRAWING	
DESIGNED Y. Kamihashi		SHEET 1/1		DRWG NO. 6421376-2 A	
CHECKED S. Mori				DESIGNED FOR D7E-2	
APPROVED N. Ashikaga					
± 0.4					
Aug. 4 1997					
Aug. 4 1997					
Aug. 4 1997					
SYM	DATE	E/C	CONTENTS	E/C	NO.

AMEYA360

Components Supply Platform

Authorized Distribution Brand :



Website :

Welcome to visit www.ameya360.com

Contact Us :

➤ Address :

401 Building No.5, JiuGe Business Center, Lane 2301, Yishan Rd
Minhang District, Shanghai , China

➤ Sales :

Direct +86 (21) 6401-6692

Email amall@ameya360.com

QQ 800077892

Skype [ameyasales1](#) [ameyasales2](#)

➤ Customer Service :

Email service@ameya360.com

➤ Partnership :

Tel +86 (21) 64016692-8333

Email mkt@ameya360.com