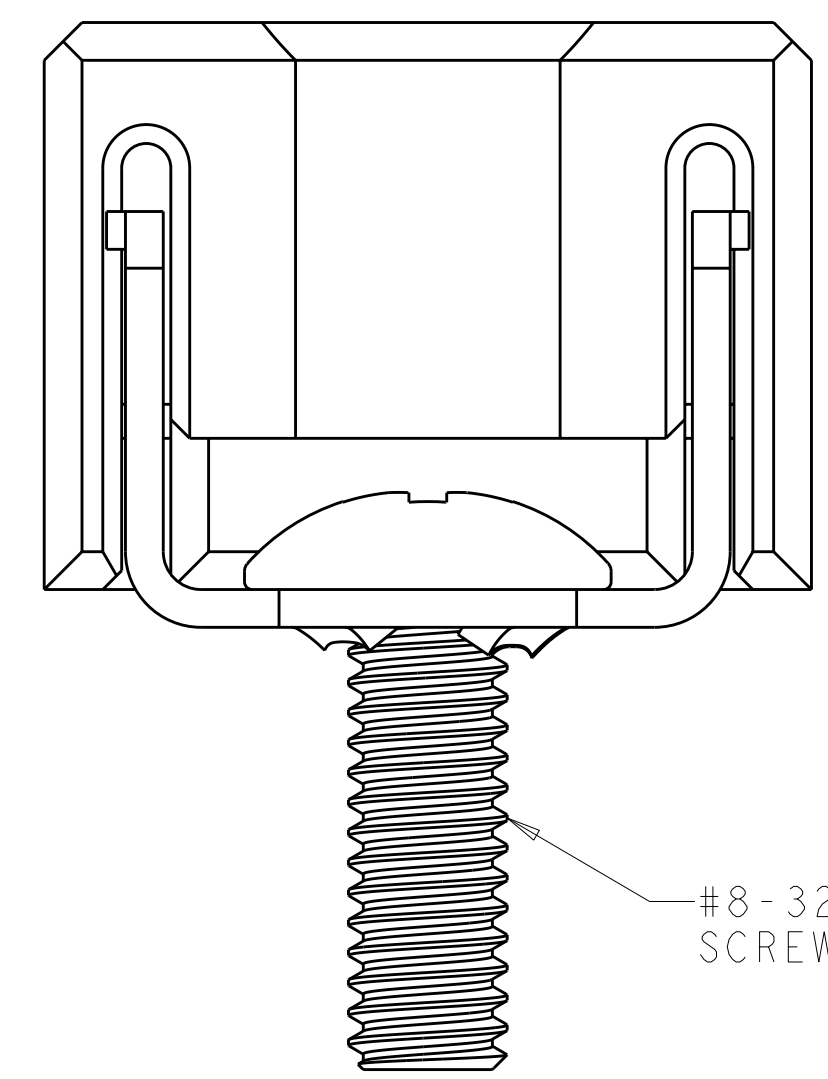
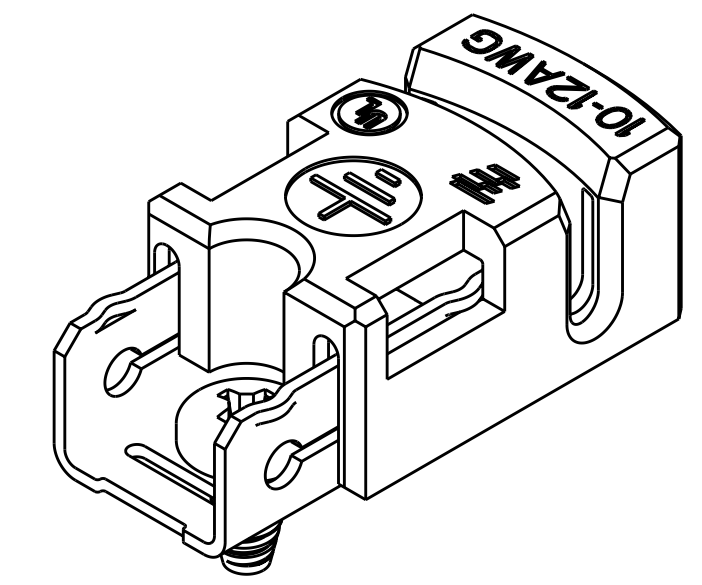
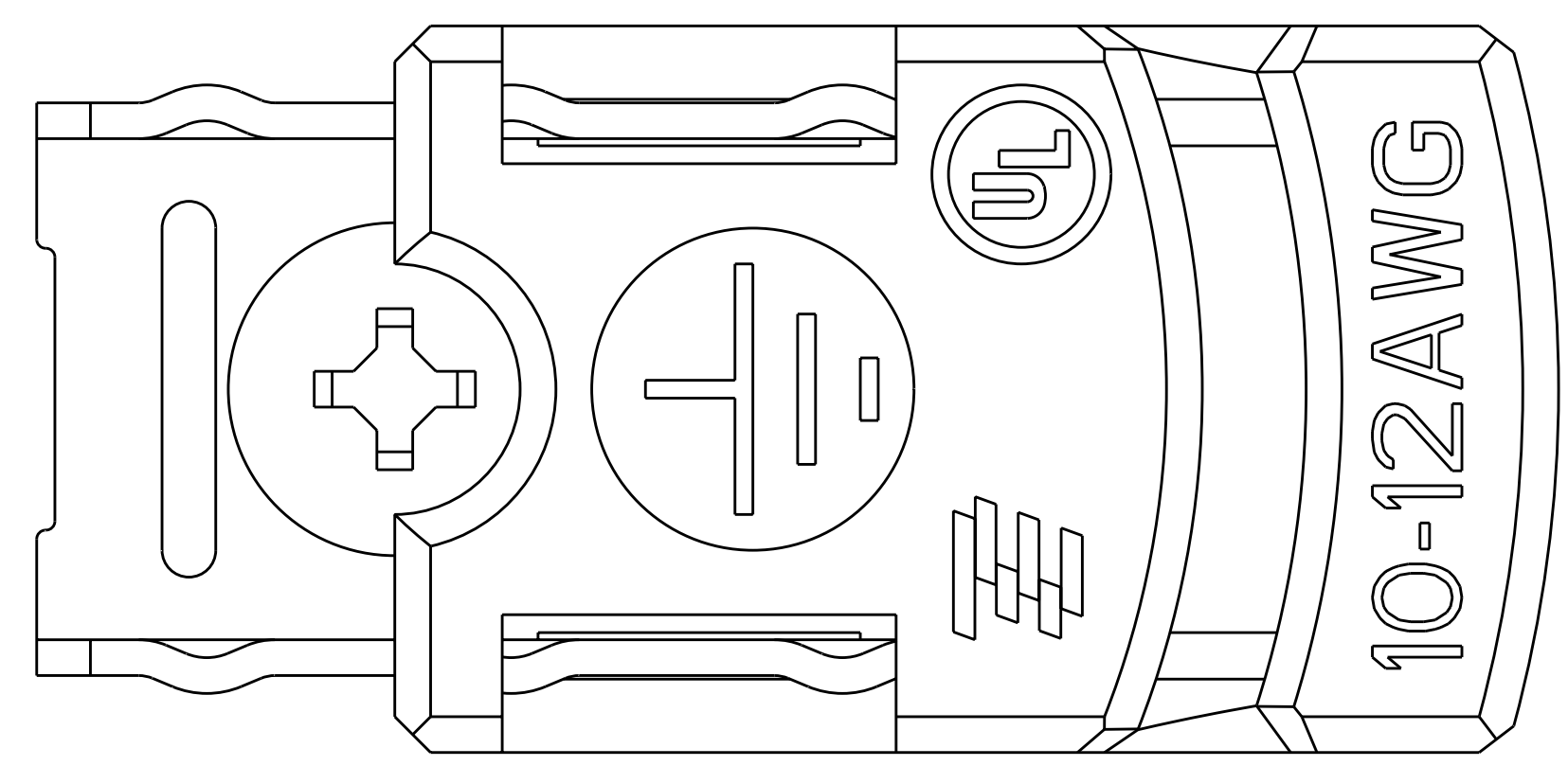
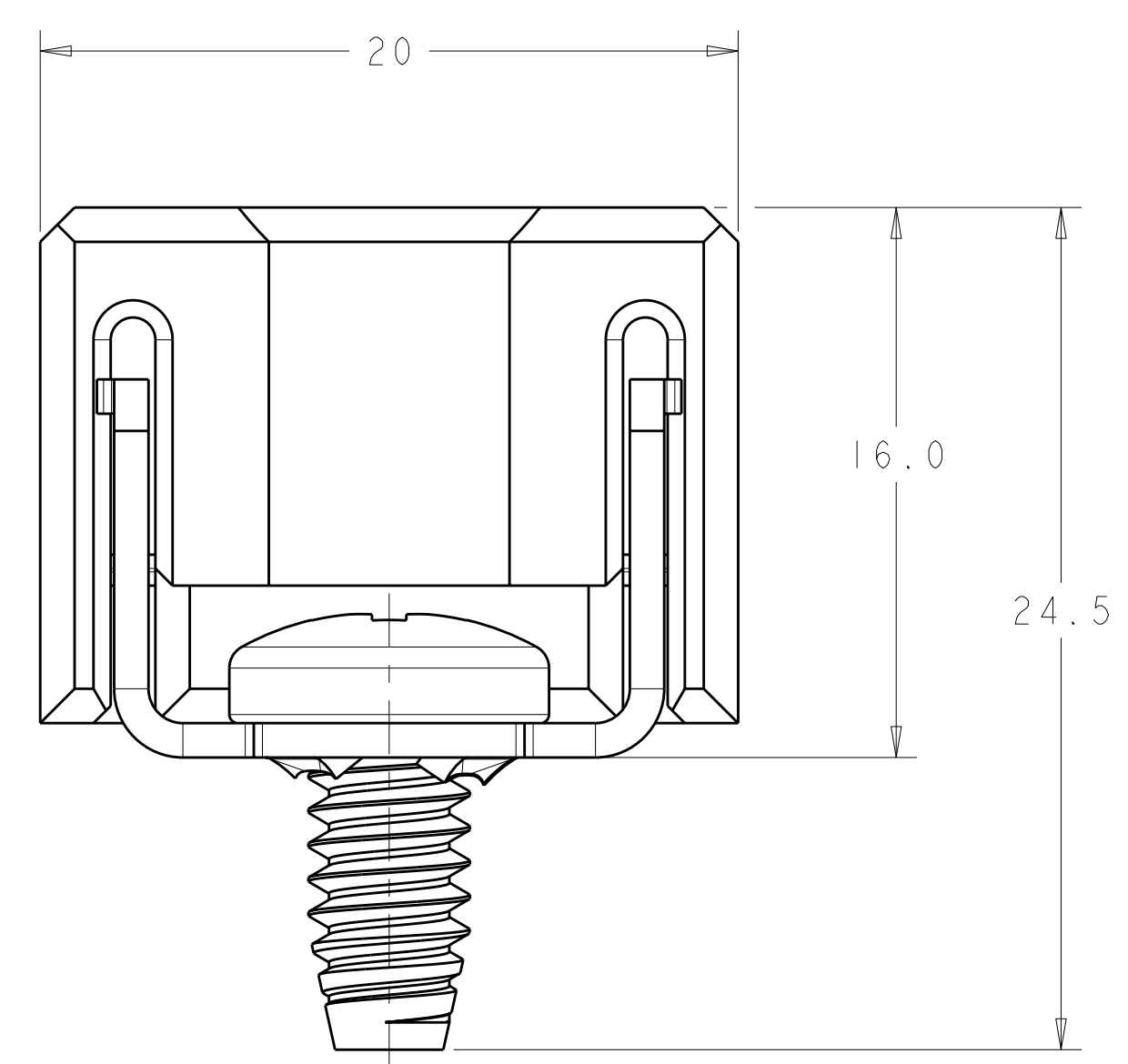


| LOC | DIST | REV | DESCRIPTION                    | DATE      | DWN | APVD |
|-----|------|-----|--------------------------------|-----------|-----|------|
| FT  | 0    | D5  | EDITED NOTES PER ECO-11-013836 | 15JUL2011 | DW  | JE   |

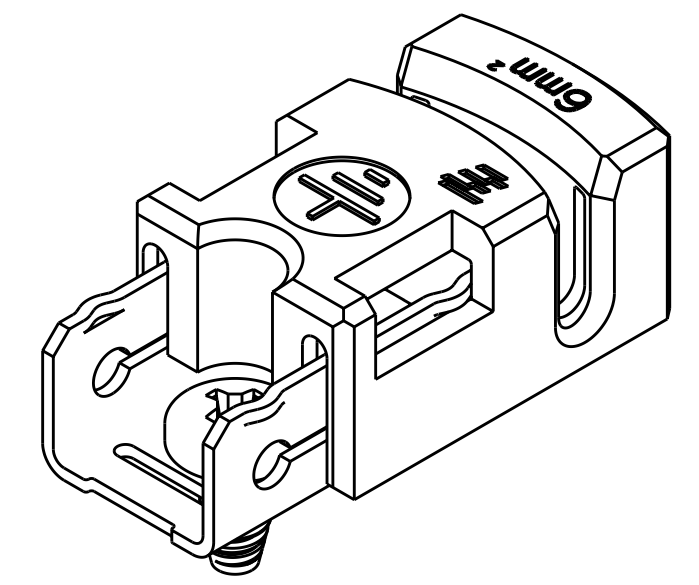


#8-32 PAN HEAD SCREW

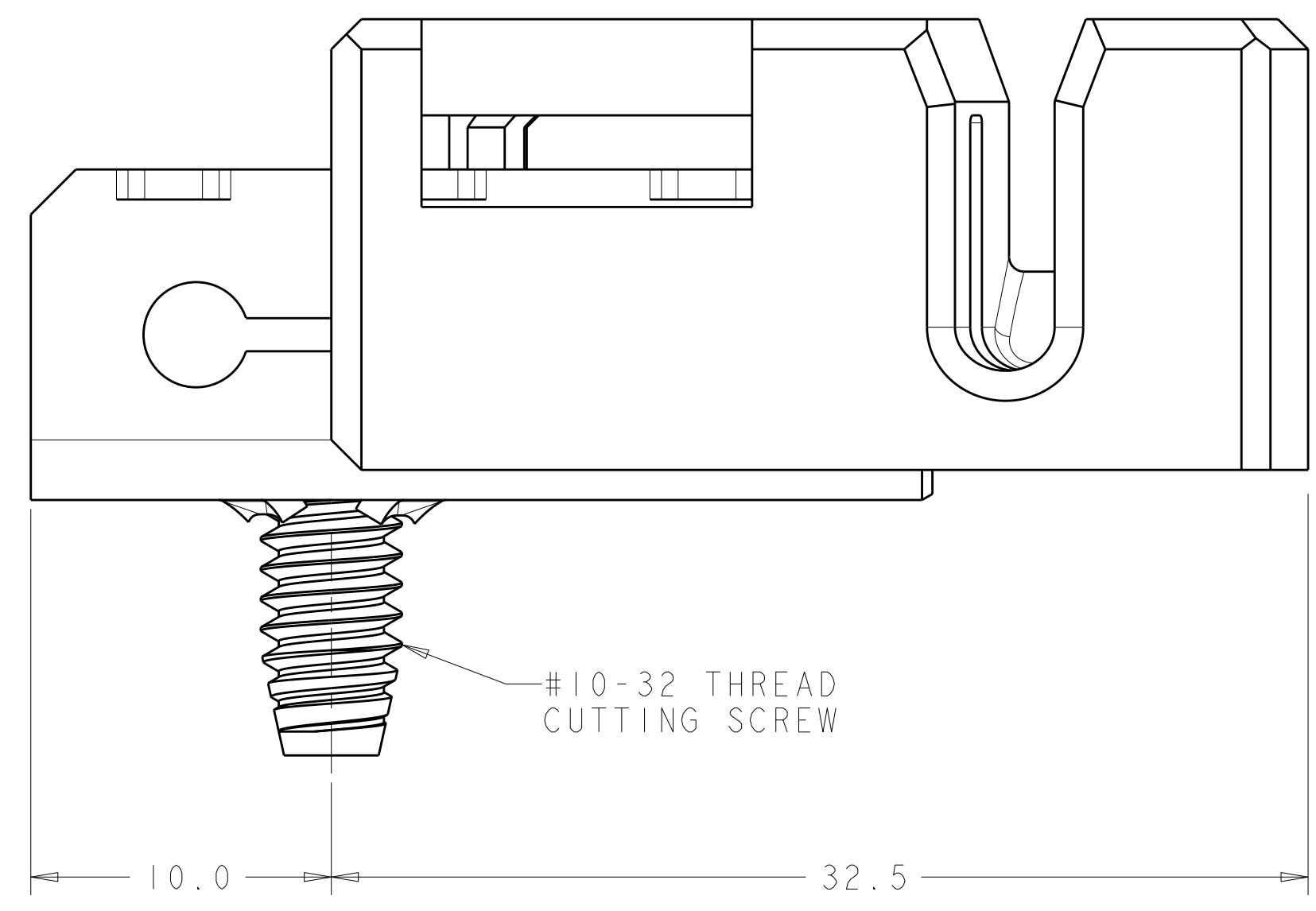
1954381-2 & -3



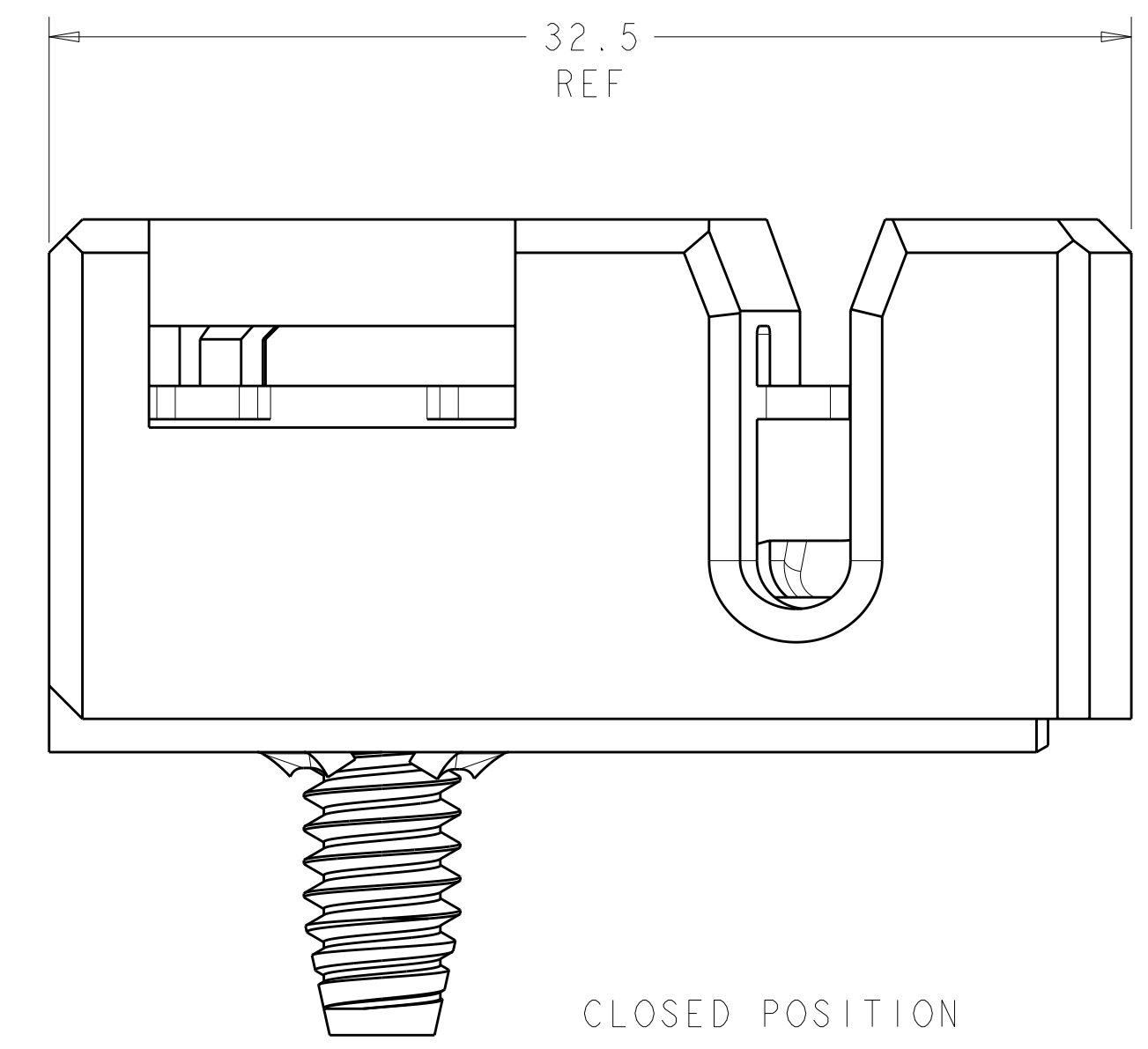
SCALE 2:1



SCALE 2:1  
1954381-5 ONLY



#10-32 THREAD CUTTING SCREW



CLOSED POSITION

△ MATERIALS AND FINISH:  
 SLIDER: PBT, UV F1 RATING, BLACK, 94V5  
 BASE: PHOSPHOR BRONZE; FINISH: Sn OVER Ni  
 MOUNTING HARDWARE: STAINLESS STEEL EXCEPT #8-32 HEX NUT WHICH IS CARBON STEEL

2. COMPLIES WITH DIRECTIVE 2002/95/EC (ROHS)
3. PATENTED.

△ NUTS ARE PACKAGED SEPERATELY IN A BAG.

|                       |                              |                                       |             |
|-----------------------|------------------------------|---------------------------------------|-------------|
| NONE                  | NONE                         | 6mm <sup>2</sup> AND 4mm <sup>2</sup> | 1954381-6   |
| NONE                  | #10-32 THREAD CUTTING .375LG | 6mm <sup>2</sup> AND 4mm <sup>2</sup> | 1954381-5   |
| △ NUT WITH LOCKWASHER | #10-32 PAN HEAD .625LG       | 10-12 AWG, 4mm <sup>2</sup>           | 1954381-4   |
| △ NUT WITH LOCKWASHER | #8 PAN HEAD .500LG           | 10-12 AWG, 4mm <sup>2</sup>           | 1954381-3   |
| △ HEX NUT             | #8-32 PAN HEAD .500LG        | 10-12 AWG, 4mm <sup>2</sup>           | 1954381-2   |
| NONE                  | #10-32 THREAD CUTTING .375LG | 10-12 AWG, 4mm <sup>2</sup>           | 1954381-1   |
| NUT                   | SCREW                        | WIRE SIZE                             | PART NUMBER |

|   |  |                               |                                    |
|---|--|-------------------------------|------------------------------------|
| THIS DRAWING IS A CONTROLLED DOCUMENT.  |  | DMN MOHAN 31OCT2006           | TE Connectivity                    |
| DIMENSIONS: mm  |  | CHK S. DUESTERHOFF 01NOV2006  |                                    |
| TOLERANCES UNLESS OTHERWISE SPECIFIED:  |  | APVD M. STROCKEWAAL 01JUN2007 | NAME                               |
| 0 PLC ±.1<br>1 PLC ±.10<br>2 PLC ±.15<br>3 PLC ±.2<br>4 PLC ±.25<br>ANGLES ±° |  | PRODUCT SPEC                  | GROUNDING CLIP ASSEMBLY SOLID WIRE |
| MATERIAL  |  | APPLICATION SPEC              | SIZE CAGE CODE DRAWING NO          |
| FINISH  |  | WEIGHT                        | A100779C=1954381                   |
| CUSTOMER DRAWING  |  | SCALE 5:1                     | SHEET 1 OF 1 REV D5                |

# AMEYA360

Components Supply Platform

Authorized Distribution Brand :



Website :

Welcome to visit [www.ameya360.com](http://www.ameya360.com)

Contact Us :

> Address :

401 Building No.5, JiuGe Business Center, Lane 2301, Yishan Rd  
Minhang District, Shanghai , China

> Sales :

Direct +86 (21) 6401-6692  
Email [amall@ameya360.com](mailto:amall@ameya360.com)  
QQ 800077892  
Skype ameyasales1 ameyasales2

> Customer Service :

Email [service@ameya360.com](mailto:service@ameya360.com)

> Partnership :

Tel +86 (21) 64016692-8333  
Email [mkt@ameya360.com](mailto:mkt@ameya360.com)