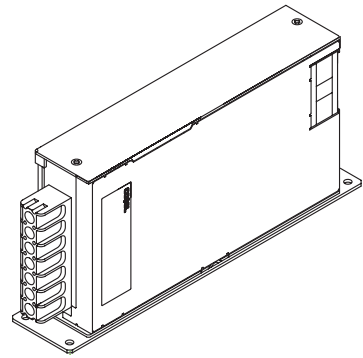


# PLA Series Attachment

BASE Attachment

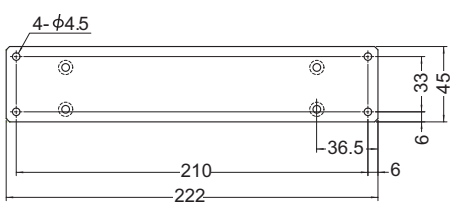
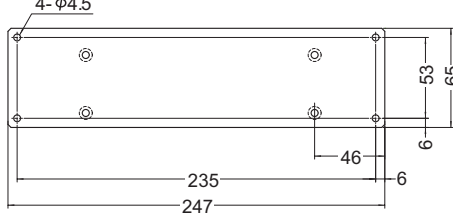
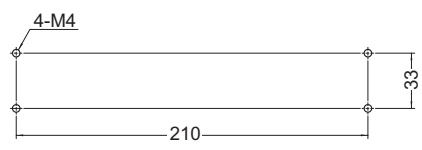
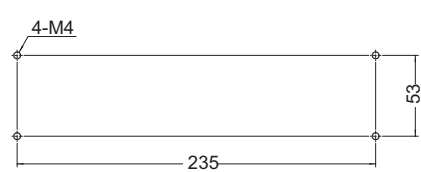
Plate model	Applicable models
F-PLA15-1	PLA15F
F-PLA30-1	PLA30F
F-PLA50-1	PLA50F
F-PLA100-1	PLA100F, PLA150F
F-PLA300-1	PLA300F
F-PLA600-1	PLA600F

Example  
(PLA300F)



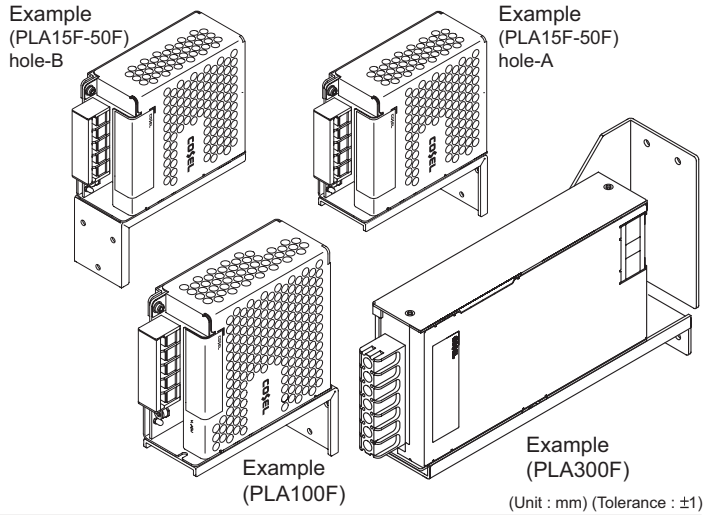
< TOP VIEW > (Unit : mm) (Tolerance : ±1)

<p style="text-align: center;"><b>F-PLA15-1</b></p> <p>Size</p> <ul style="list-style-type: none"> <li>* Material : SECC</li> <li>* Thickness : 2.0</li> <li>* Weight : 65g max</li> </ul>	<p style="text-align: center;"><b>F-PLA30-1</b></p> <p>Size</p> <ul style="list-style-type: none"> <li>* Material : SECC</li> <li>* Thickness : 2.0</li> <li>* Weight : 75g max</li> </ul>
<p>* M3 Flat screw is requested when mounting. Please check the instruction manual for the size of screw.</p>	
<p>Mounting hole size</p> <p>FRONT ←</p>	<p>Mounting hole size</p> <p>FRONT ←</p>
<p style="text-align: center;"><b>F-PLA50-1</b></p> <p>Size</p> <ul style="list-style-type: none"> <li>* Material : SECC</li> <li>* Thickness : 2.0</li> <li>* Weight : 85g max</li> </ul>	<p style="text-align: center;"><b>F-PLA100-1</b></p> <p>Size</p> <ul style="list-style-type: none"> <li>* Material : SEHC</li> <li>* Thickness : 2.3</li> <li>* hole-A : PLA100F</li> <li>* hole-B : PLA150F</li> <li>* Weight : 130g max</li> </ul>
<p>* M3 Flat screw is requested when mounting. Please check the instruction manual for the size of screw.</p>	
<p>Mounting hole size</p> <p>FRONT ←</p>	<p>Mounting hole size</p> <p>FRONT ←</p>

F-PLA300-1	F-PLA600-1
<p>Size</p>  <ul style="list-style-type: none"> <li>* Material : SEHC</li> <li>* Thickness : 3.2</li> <li>* Weight : 300g max</li> </ul>	<p>Size</p>  <ul style="list-style-type: none"> <li>* Material : SEHC</li> <li>* Thickness : 3.2</li> <li>* Weight : 460g max</li> </ul>
<p style="text-align: center;">* M4 Flat screw is requested when mounting. Please check the instruction manual for the size of screw.</p>	
<p>Mounting hole size</p> <p>FRONT ←</p> 	<p>Mounting hole size</p> <p>FRONT ←</p> 

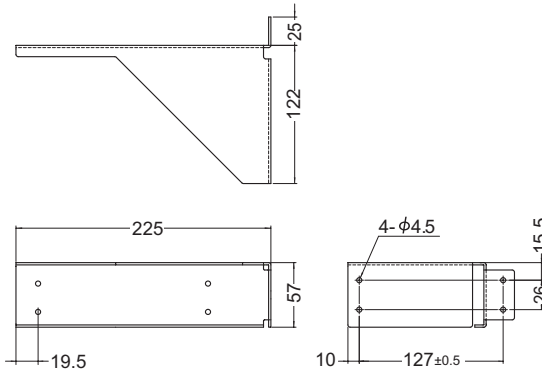
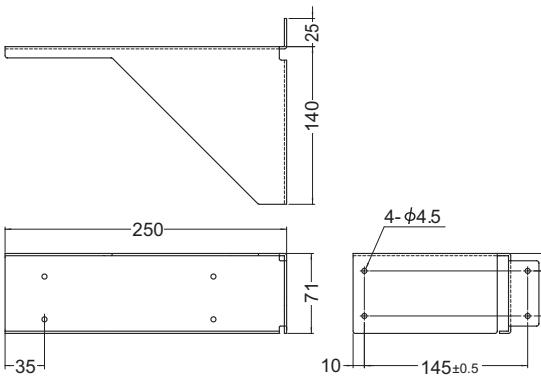
FRONT · REVERSE  
Attachment

Plate model	Applicable models
F-PLA15-2	PLA15F
F-PLA30-2	PLA30F
F-PLA50-2	PLA50F
F-PLA100-2	PLA100F, PLA150F
F-PLA300-2	PLA300F
F-PLA600-2	PLA600F



F-PLA15-2	F-PLA30-2
<p>Size</p> <p>★ Material : SECC ★ Thickness : 1.6 ★ Weight : 70g max</p>	<p>Size</p> <p>★ Material : SECC ★ Thickness : 1.6 ★ Weight : 80g max</p>
<p>★ M3 screw is requested when mounting. Please check the instruction manual for the size of screw.</p>	
F-PLA50-2	F-PLA100-2
<p>Size</p> <p>★ Material : SECC ★ Thickness : 1.6 ★ Weight : 85g max</p>	<p>Size</p> <p>★ Material : SECC ★ Thickness : 2.0 ★ hole-A : PLA100F ★ hole-B : PLA150F ★ Weight : 120g max</p>
<p>★ M3 screw is requested when mounting. Please check the instruction manual for the size of screw.</p>	

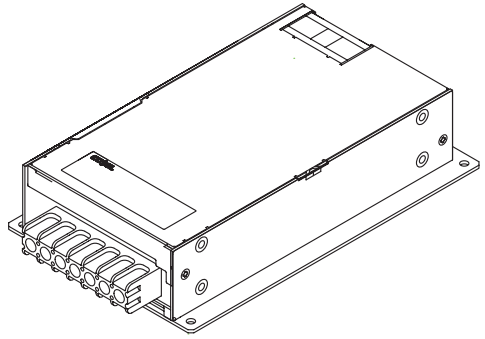
(Unit : mm) (Tolerance : ±1)

F-PLA300-2	F-PLA600-2
<p>Size</p>  <ul style="list-style-type: none"> <li>* Material : SEHC</li> <li>* Thickness : 2.0</li> <li>* Weight : 600g max</li> </ul>	<p>Size</p>  <ul style="list-style-type: none"> <li>* Material : SEHC</li> <li>* Thickness : 2.0</li> <li>* Weight : 800g max</li> </ul>
<p>* M4 screw is requested when mounting. Please check the instruction manual for the size of screw.</p>	

BASE Attachment

Plate model	Applicable models
F-PLA300-3	PLA300F
F-PLA600-3	PLA600F

Example  
(PLA300F)



< TOP VIEW > (Unit : mm) (Tolerance : ±1)

F-PLA300-3	F-PLA600-3
<p>Size</p> <ul style="list-style-type: none"> <li>* Material : SEHC</li> <li>* Thickness : 3.2</li> <li>* Weight : 750g max</li> </ul>	<p>Size</p> <ul style="list-style-type: none"> <li>* Material : SEHC</li> <li>* Thickness : 3.2</li> <li>* Weight : 950g max</li> </ul>
<p>* M4 Flat screw is requested when mounting. Please check the instruction manual for the size of screw.</p>	
<p>Mounting hole size</p> <p>FRONT ←</p>	<p>Mounting hole size</p> <p>FRONT ←</p>

## Din rail Attachment Plate(PLA Series)

### APPLICABLE TO MODEL

Din rail width : 35mm

Plate model	Model	screws for installation	
		Type	Qty
FD-PLA15	PLA15F	M3	2pcs
FD-PLA30	PLA30F		
FD-PLA50	PLA50F		
FD-PLA100	PLA100F		
FD-PLA150	PLA150F		

### FD-PLA15, FD-PLA30, FD-PLA50 FD-PLA100, FD-PLA150 EXTERNAL VIEW

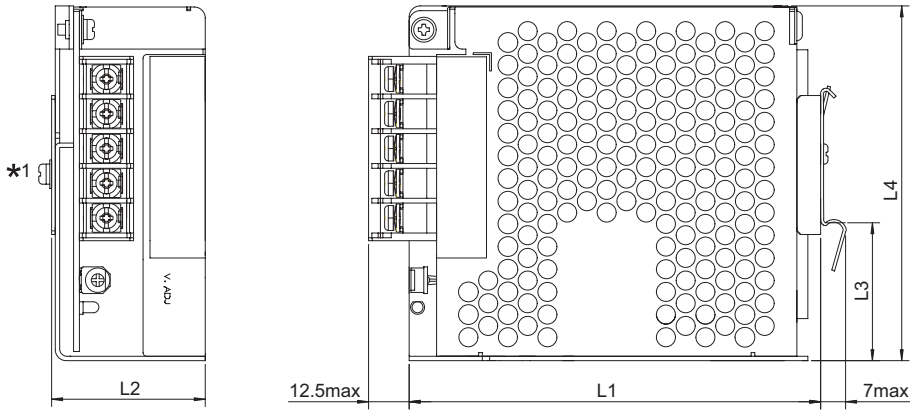


Plate model	Model	L1	L2	L3	L4
FD-PLA15	PLA15F	79±2	39	27.2±2	80
FD-PLA30	PLA30F	94±2	39	27.2±2	80
FD-PLA50	PLA50F	105±2	39	27.2±2	80
FD-PLA100	PLA100F	112.5±2	42	37.2±2	97
FD-PLA150	PLA150F	132.5±2	42.6	37.2±2	97

- \* Material : SECC
- \* Thickness
  - FD-PLA15 : 1.0
  - FD-PLA30 : 1.0
  - FD-PLA50 : 1.0
  - FD-PLA100 : 1.0
  - FD-PLA150 : 1.6
- \* Tolerance : ±1
- \* 1 Screws for installation (attached to Plate)
- \* Weight :
  - FD-PLA15 55g max
  - FD-PLA30 60g max
  - FD-PLA50 60g max
  - FD-PLA100 60g max
  - FD-PLA150 100g max

Harness to use the function is prepared in PLA series.

# PLA Series

The latest information is in our website

## Mating harness

Model	Harness model #	Contents
PLA15F, PLA30F, PLA50F, PLA100F, PLA150F	H-IN-22	Input harness when I/O interface is connector type (option : -J)
PLA100F, PLA150F	H-OU-37	Output harness when I/O interface is connector type (option : -J)
PLA15F, PLA30F, PLA50F	H-OU-38	Output harness when I/O interface is connector type (option : -J)
PLA100F, PLA150F	H-RC-1	Harness for using option : -R
PLA300F	H-RC-6	Harness for using option : -R
PLA600F	H-PA-9	Harness for parallel operation (option: -W)
	H-SN-32	Harness for using all functions of option -W and -R
	H-SN-33	Harness for using all functions except remote sensing of option -W and -R
	H-RC-5	Harness for using a function of option -R
PLA300F, PLA600F	H-SN-18	Harness for using option : -V

\* These harnesses are used for product which includes option.

<p>●Model number <b>H-IN-22</b></p> <p>Housing : 1-1123722-5 (Tyco Electronics AMP) Pin : 1123721-1 or 1318912-1 (Tyco Electronics AMP) Weight : 30g max</p>	<p>●Type</p>	<p>●Wire</p> <table border="1"> <thead> <tr> <th>Pin #</th> <th>Wire</th> <th>AWG</th> <th>Color</th> <th>Length <math>l</math> (mm)</th> </tr> </thead> <tbody> <tr> <td>1</td> <td>UL1015</td> <td>18</td> <td>green</td> <td>500</td> </tr> <tr> <td>2</td> <td></td> <td></td> <td></td> <td></td> </tr> <tr> <td>3</td> <td>UL1015</td> <td>18</td> <td>white</td> <td>500</td> </tr> <tr> <td>4</td> <td></td> <td></td> <td></td> <td></td> </tr> <tr> <td>5</td> <td>UL1015</td> <td>18</td> <td>black</td> <td>500</td> </tr> </tbody> </table>	Pin #	Wire	AWG	Color	Length $l$ (mm)	1	UL1015	18	green	500	2					3	UL1015	18	white	500	4					5	UL1015	18	black	500
Pin #	Wire	AWG	Color	Length $l$ (mm)																												
1	UL1015	18	green	500																												
2																																
3	UL1015	18	white	500																												
4																																
5	UL1015	18	black	500																												
<p>●Model number <b>H-OU-37</b></p> <p>Housing : 1-1123722-6 (Tyco Electronics AMP) Pin : 1123721-1 or 1318912-1 (Tyco Electronics AMP) Weight : 60g max</p>	<p>●Type</p>	<p>●Wire</p> <table border="1"> <thead> <tr> <th>Pin #</th> <th>Wire</th> <th>AWG</th> <th>Color</th> <th>Length <math>l</math> (mm)</th> </tr> </thead> <tbody> <tr> <td>1 - 3</td> <td>UL1015</td> <td>18</td> <td>red</td> <td>500</td> </tr> <tr> <td>4 - 6</td> <td>UL1015</td> <td>18</td> <td>black</td> <td>500</td> </tr> </tbody> </table>	Pin #	Wire	AWG	Color	Length $l$ (mm)	1 - 3	UL1015	18	red	500	4 - 6	UL1015	18	black	500															
Pin #	Wire	AWG	Color	Length $l$ (mm)																												
1 - 3	UL1015	18	red	500																												
4 - 6	UL1015	18	black	500																												
<p>●Model number <b>H-OU-38</b></p> <p>Housing : 1-1123722-4 (Tyco Electronics AMP) Pin : 1123721-1 or 1318912-1 (Tyco Electronics AMP) Weight : 40g max</p>	<p>●Type</p>	<p>●Wire</p> <table border="1"> <thead> <tr> <th>Pin #</th> <th>Wire</th> <th>AWG</th> <th>Color</th> <th>Length <math>l</math> (mm)</th> </tr> </thead> <tbody> <tr> <td>1, 2</td> <td>UL1015</td> <td>18</td> <td>red</td> <td>500</td> </tr> <tr> <td>3, 4</td> <td>UL1015</td> <td>18</td> <td>black</td> <td>500</td> </tr> </tbody> </table>	Pin #	Wire	AWG	Color	Length $l$ (mm)	1, 2	UL1015	18	red	500	3, 4	UL1015	18	black	500															
Pin #	Wire	AWG	Color	Length $l$ (mm)																												
1, 2	UL1015	18	red	500																												
3, 4	UL1015	18	black	500																												
<p>●Model number <b>H-RC-1</b></p> <p>Housing : XHP-2 (J.S.T.) Pin : SXH-001T-P0.6 (J.S.T.) Weight : 7g max</p>	<p>●Type</p>	<p>●Wire</p> <table border="1"> <thead> <tr> <th>Pin #</th> <th>Wire</th> <th>AWG</th> <th>Color</th> <th>Length <math>l</math> (mm)</th> </tr> </thead> <tbody> <tr> <td>1</td> <td>UL1007</td> <td>22</td> <td>orange</td> <td>500</td> </tr> <tr> <td>2</td> <td>UL1007</td> <td>22</td> <td>blue</td> <td>500</td> </tr> </tbody> </table>	Pin #	Wire	AWG	Color	Length $l$ (mm)	1	UL1007	22	orange	500	2	UL1007	22	blue	500															
Pin #	Wire	AWG	Color	Length $l$ (mm)																												
1	UL1007	22	orange	500																												
2	UL1007	22	blue	500																												
<p>●Model number <b>H-RC-6</b></p> <p>Housing : XAP-02V-1 (J.S.T.) Pin : SXA-001T-P0.6(J.S.T.) Weight : 7g max</p>	<p>●Type</p>	<p>●Wire</p> <table border="1"> <thead> <tr> <th>Pin #</th> <th>Wire</th> <th>AWG</th> <th>Color</th> <th>Length <math>l</math> (mm)</th> </tr> </thead> <tbody> <tr> <td>1</td> <td>UL1007</td> <td>22</td> <td>orange</td> <td>500</td> </tr> <tr> <td>2</td> <td>UL1007</td> <td>22</td> <td>blue</td> <td>500</td> </tr> </tbody> </table>	Pin #	Wire	AWG	Color	Length $l$ (mm)	1	UL1007	22	orange	500	2	UL1007	22	blue	500															
Pin #	Wire	AWG	Color	Length $l$ (mm)																												
1	UL1007	22	orange	500																												
2	UL1007	22	blue	500																												

●Model number  
**H-PA-9**

Housing : PHDR-10VS(J.S.T.)  
Pin : SPHD-002T-P0.5(J.S.T.)  
Weight : 4g max

●Type

●Wire

Pin #	Wire	AWG	Color	Length $l$ (mm)
1	-	-	-	-
2	UL1061	28	red	270
3	UL1061	28	orange	270
4	UL1061	28	purple	270
5	-	-	-	-
6	-	-	-	-
7	UL1061	28	green	270
8	-	-	-	-
9	-	-	-	-
10	UL1061	28	black	270

●Model number  
**H-SN-32**

Housing : PHDR-10VS(J.S.T.)  
Pin : SPHD-002T-P0.5(J.S.T.)  
Weight : 7g max

●Type

●Wire

Pin #	Wire	AWG	Color	Length $l$ (mm)
1	-	-	-	-
2	UL1061	28	red	500
3	UL1061	28	orange	500
4	UL1061	28	purple	500
5	UL1061	28	yellow	500
6	UL1061	28	blue	500
7	UL1061	28	green	500
8	-	-	-	-
9	-	-	-	-
10	UL1061	28	black	500

●Model number  
**H-SN-33**

Housing : PHDR-10VS(J.S.T.)  
Pin : SPHD-002T-P0.5(J.S.T.)  
Weight : 6g max

●Type

●Wire

Pin #	Wire	AWG	Color	Length $l$ (mm)
1	-	-	-	-
2	-	-	-	-
3	UL1061	28	orange	500
4	UL1061	28	purple	500
5	UL1061	28	yellow	500
6	UL1061	28	blue	500
7	UL1061	28	green	500
8	-	-	-	-
9	-	-	-	-
10	UL1061	28	black	500

●Model number  
**H-RC-5**

Housing : PHDR-10VS(J.S.T.)  
Pin : SPHD-002T-P0.5(J.S.T.)  
Weight : 3g max

●Type

●Wire

Pin #	Wire	AWG	Color	Length $l$ (mm)
1	-	-	-	-
2	-	-	-	-
3	UL1061	28	orange	500
4	UL1061	28	purple	500
5	-	-	-	-
6	-	-	-	-
7	-	-	-	-
8	-	-	-	-
9	-	-	-	-
10	-	-	-	-

●Model number  
**H-SN-18**

Housing : PHR-2(J.S.T.)  
Pin : SPH-002T-P0.5S(J.S.T.)  
Weight : 4g max

●Type

●Wire

Pin #	Wire	AWG	Color	Length $l$ (mm)
1	UL1007	26	yellow	500
2	UL1007	26	orange	500

# AMEYA360

Components Supply Platform

Authorized Distribution Brand :



Website :

Welcome to visit [www.ameya360.com](http://www.ameya360.com)

Contact Us :

➤ Address :

401 Building No.5, JiuGe Business Center, Lane 2301, Yishan Rd  
Minhang District, Shanghai , China

➤ Sales :

Direct +86 (21) 6401-6692

Email [amall@ameya360.com](mailto:amall@ameya360.com)

QQ 800077892

Skype [ameyasales1](#) [ameyasales2](#)

➤ Customer Service :

Email [service@ameya360.com](mailto:service@ameya360.com)

➤ Partnership :

Tel +86 (21) 64016692-8333

Email [mkt@ameya360.com](mailto:mkt@ameya360.com)