



3-Pole Surge Protector for LED Drivers Surge Protectors for LED Drivers with Universal AC Input



Features

- Compliant with UL 1449 3rd Edition
- IP67 Waterproof – Fully Potted*P Version
- Surge Current Rating 10,000A
- Compliant with IEEE C62.41.2
- Wide Operating Temperature range (-40C-80C)
- Surge Voltage to 6KV

Applications

- LED Drivers

Safety Approvals (Preliminary)

- UL
- CE

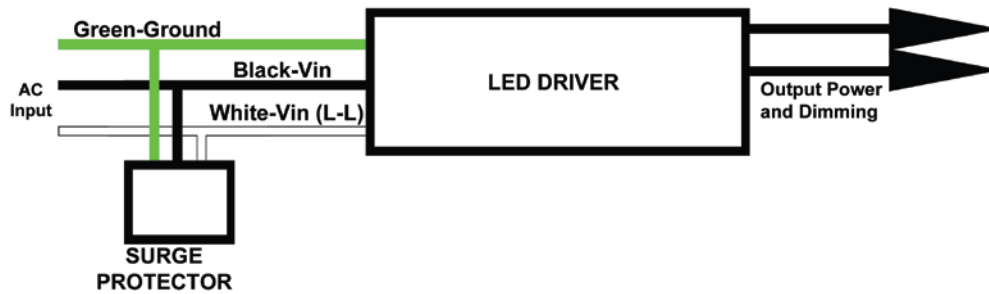
Mechanical Characteristics

- Length: 90.2mm (3.6in)
- Width: 43mm (1.7in)
- Height: 31mm (1.2in)
- Weight: 212.6g (7.5oz)

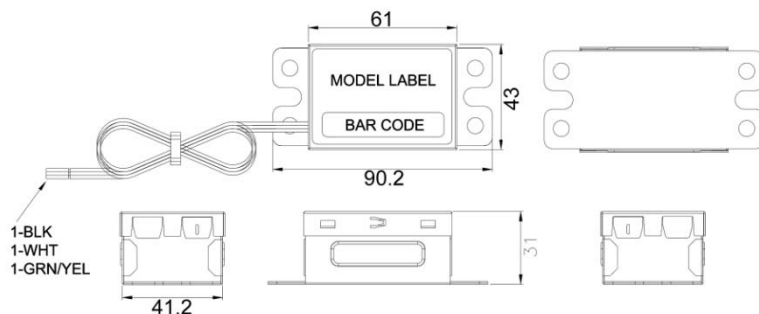
Output Specifications

Product Name	Input Voltage	Input Current	Max Clamping Voltage	Max Surge Current	Surge Rating
PDA-SURGE	90-305VAC	8A	845V	13000A	445 Joules
PDA-SURGE-P	90-305VAC	8A	845V	13000A	445 Joules

Wiring Diagram



Dimension Diagram



Wire Connections

Position	Length	Gauge
Line – Black	600mm	AWG22
Neutral – White	600mm	AWG22
Ground - Green	600mm	AWG22

AMEYA360

Components Supply Platform

Authorized Distribution Brand :



Website :

Welcome to visit www.ameya360.com

Contact Us :

➤ Address :

401 Building No.5, JiuGe Business Center, Lane 2301, Yishan Rd
Minhang District, Shanghai , China

➤ Sales :

Direct +86 (21) 6401-6692

Email amall@ameya360.com

QQ 800077892

Skype [ameyasales1](#) [ameyasales2](#)

➤ Customer Service :

Email service@ameya360.com

➤ Partnership :

Tel +86 (21) 64016692-8333

Email mkt@ameya360.com