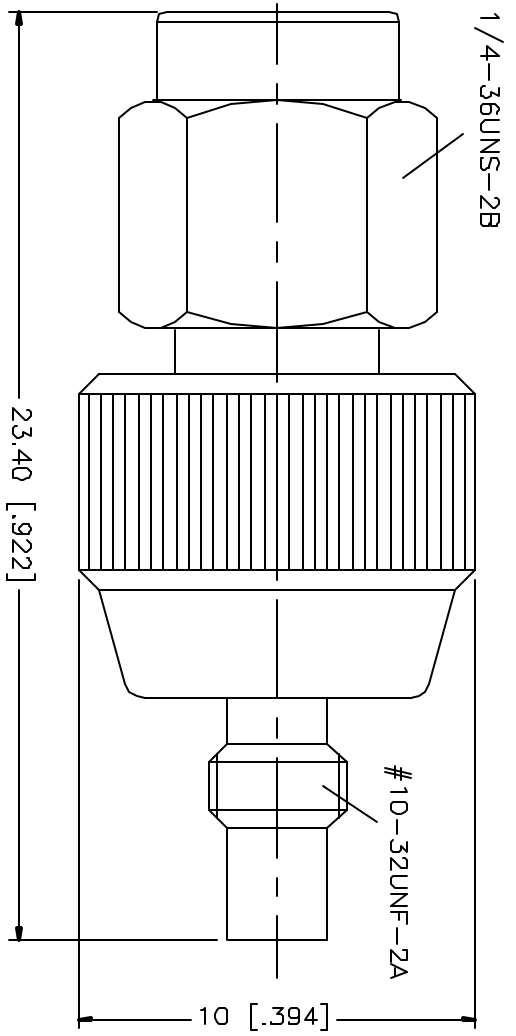


REV.	DATE	DESCRIPTION
A	12/16/01	MODIFY PART DESCRIPTION



DESCRIPTION	MATERIAL	FINISH	UNLESS OTHERWISE SPECIFIED DIMENSIONS ARE IN MILLIMETERS DIMENSIONS IN [ ] ARE IN INCHES FOR CUSTOMER REFERENCE ONLY	APPROVALS	DATE	TITLE	SIZE	FSOM NO	DWG NO.	REV
1 BODY	BRASS	NICKEL		DRAWN	12/16/01	<b>comnex</b> Connector Corporation SMA PLUG TO SMC JACK ADAPTOR	A	99001	242174.DWG	A
2 INSULATOR	TEFLON	NATURAL		CHECKED			NA			
3 CONTACT PIN	BER. COPPER	GOLD		ISSUED						
4			UNLESS OTHERWISE SPECIFIED TOLERANCES FOR MILLIMETERS ARE							
5			0.5-6 = ± 0.2							
6			8-30 = ± 0.4							
7			30-120 = ± 0.6							
8			120-315 = ± 1 315-1000 = ± 1.6 1000-2000 = ± 2.4							
DO NOT SCALE DRAWING										

SCALE	NA	PART NO	242174	SHEET	1	OF	1
-------	----	---------	--------	-------	---	----	---

# AMEYA360

## Components Supply Platform

Authorized Distribution Brand :



Website :

Welcome to visit [www.ameya360.com](http://www.ameya360.com)

Contact Us :

➤ Address :

401 Building No.5, JiuGe Business Center, Lane 2301, Yishan Rd  
Minhang District, Shanghai , China

➤ Sales :

Direct +86 (21) 6401-6692

Email [amall@ameya360.com](mailto:amall@ameya360.com)

QQ 800077892

Skype [ameyasales1](#) [ameyasales2](#)

➤ Customer Service :

Email [service@ameya360.com](mailto:service@ameya360.com)

➤ Partnership :

Tel +86 (21) 64016692-8333

Email [mkt@ameya360.com](mailto:mkt@ameya360.com)