

# BASIC PART NUMBER:

10017657-20XXX—X L F

RoHS COMPLIANT SPECIFICATION (SEE NOTE 4)

OPTION

(BLANK : NO CUSTOMIZATION)

( : CUSTOMIZED REQUEST)

CARDBUS: 0 — NO  
1 — YES

INSULATOR: 0 — NO  
1 — FCI LONG  
2 — FCI SHORT  
3 — CUSTOMIZED


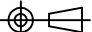
LABEL RECESS: 0 — NO  
1 — YES(LONG, 66x42mm)  
2 — YES(SHORT, 63x42mm)

OPEN END

CARD TYPE: II

## NOTES:

- CARDSHIELD: STAINLESS STEEL, THICKNESS 0.2MM, SURFACE FINISH: MATTE.
- FRAME BAR: PPO OR PA46, COLOR BLACK, UL94V-0.
- INSULATOR: POLYESTER FILM WITH ADHESIVE, 3M 1350 OR EQUIVALENT.
- 10017657-20XXX-XX IS SIMILAR TO 10017657-20XXX-XLF THE SUFFIX " LF " IS ADDED FOR LEAD FREE IDENTIFICATION, THIS PRODUCT MEETS EUROPEAN UNION DIRECTIVES AND OTHER COUNTRY REGULATIONS AS PER GS-22-008.
- PACKING SPEC. PER GS-14-775.

mat'l code				tolerance unless otherwise specified				CUSTOMER COPY		 www.fciconnect.com	
rev.	ecn no.	dr	date	linear				projection	title		
C	T03-0111	WL	04/03/03						ROCARD SHIELD		
D	T03-0290	WL	07/15/03	angles							
E	T03-0314	WL	08/05/03	dr	WENDY CHEN	10/21/02	unit	product family		PCMCIA	code
F	T06-0056	WL	04/03/06	engr	DAVID TENG	10/21/02	mm/inch	size		dwg no.	sheet
G	T06-0093	WL	05/10/06	chr	TONY CHIEN	10/21/02	scale	A3		10017657	1 OF 10
H	T06-0134	WL	07/12/06	appr	JENN TSAO	10/21/02					
sheet	revision	H	F	F	F	F	F	F	H		
index	sheet	1	2	3	4	5	6	7	8	9	10

Tous droits strictement reserves. Reproduction ou communication a des tiers int  
 sous quelque forme que ce soit sans autorisation écrite du propriétaire.  
 Property of c BERG ELECTRONICS  
 Copyright BERG ELECTRONICS by

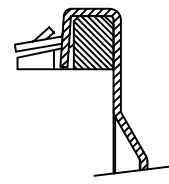
All rights strictly reserved. Reproduction or issue to third parties in any for  
 whatever is not permitted without written authority from the proprietor.  
 Property of c BERG ELECTRONICS  
 Copyright BERG ELECTRONICS by



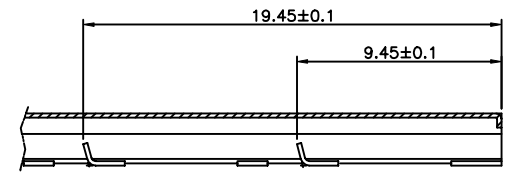
Tous droits strictement réservés. Reproduction ou communication a des tiers int sous quelque forme que ce soit sans autorisation écrite du propriétaire. Property of c BERG ELECTRONICS. Copyright BERG ELECTRONICS by

All rights strictly reserved. Reproduction or issue to third parties in any for whatever is not permitted without written authority from the proprietor. Property of c BERG ELECTRONICS. Copyright BERG ELECTRONICS by

PRODUCT NUMBER	DIM A	DIM B	DIM C	DIM D	DIM E
10017657-20110 OR 10017657-20110LF	1.4±1.0	75.6 REF	27.3 REF	4.0	66
10017657-20120 OR 10017657-20120LF	9.7±1.0	67.3 REF	19.0 REF	4.0	66
10017657-20210 OR 10017657-20210LF	1.4±1.0	75.6 REF	27.3 REF	7.0	63
10017657-20220 OR 10017657-20220LF	9.7±1.0	67.3 REF	19.0 REF	7.0	63

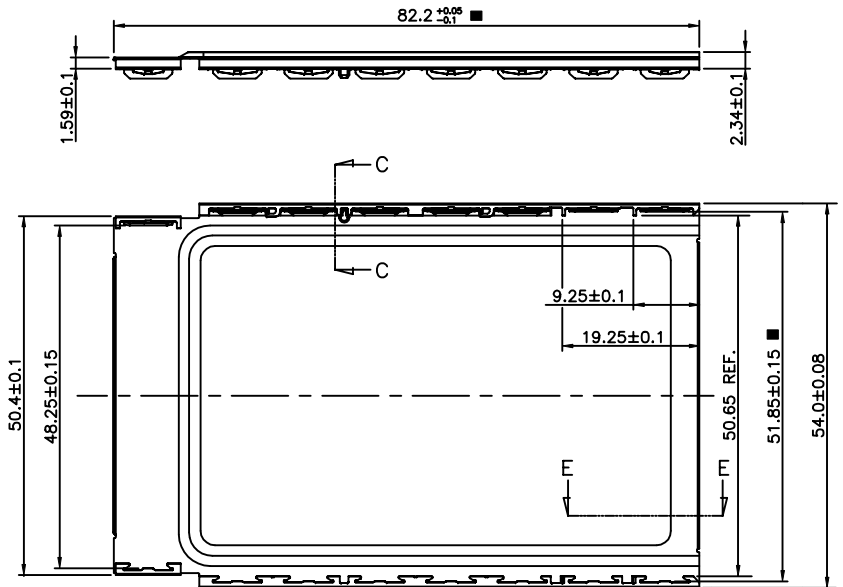
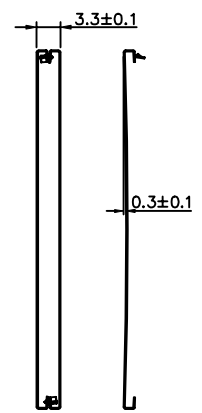


SEC. C-C  
(SCALE 5:1)

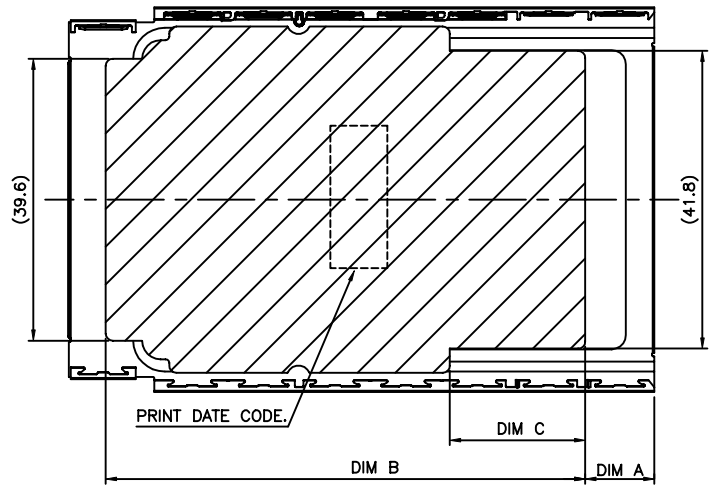
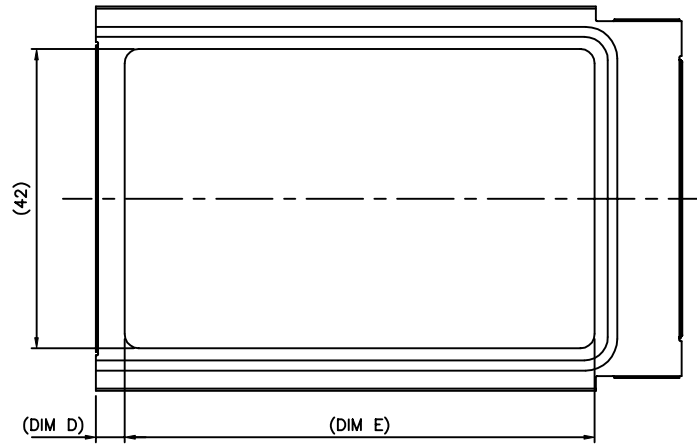
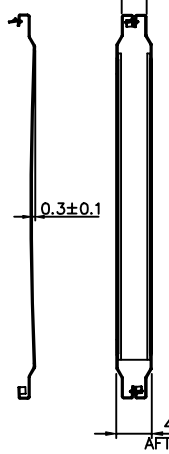


SEC. E-E  
(SCALE 3:1)

VIEW OF 2  
ASSEMBLED CARDSHIELDS



VIEW OF 2  
ASSEMBLED CARDSHIELDS



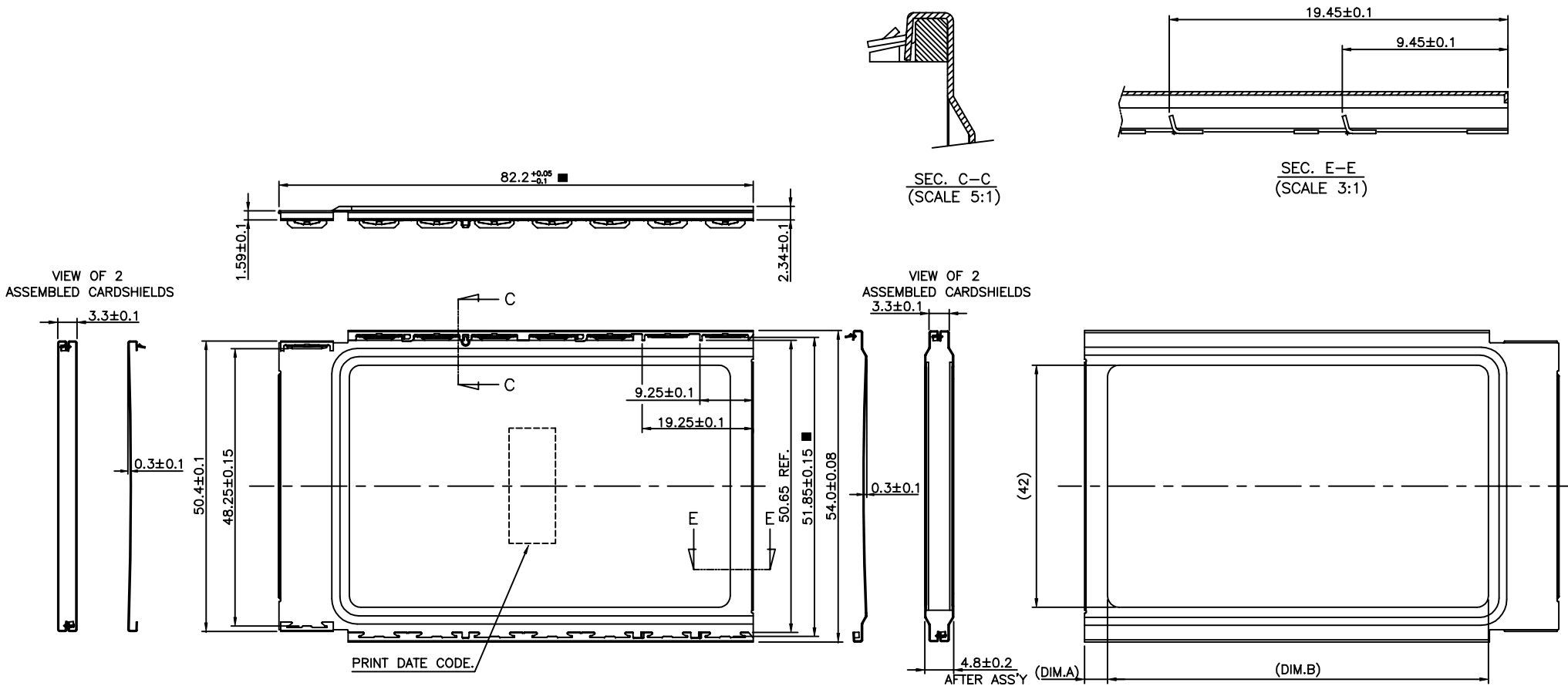
NOTE: 1. ■ : CPK MARK >= 1.5

mat'l code				tolerance unless otherwise specified				CUSTOMER		A FCI		www.fciconnect.com	
rev. ecn no. dr date				linear		X. ±0.3		COPY		title		ROCARD SHIELD	
F						.X ±0.13		projection		product family		PCMCIA	
						.XX±0.05		⊕		size		dwg no.	
				angles		±2°				A3		10017657	
				dr		WENDY CHEN 10/21/02		unit		mm/inch		code	
				enr		DAVID TENG 10/21/02		scale				sheet	
				chr		TONY CHIEN 10/21/02						2 OF	
				appd		JENN TSAO 10/21/02							
sheet		revision		sheet		sheet		sheet		sheet		sheet	

Tous droits strictement réservés. Reproduction ou communication a des tiers int sous quelque forme que ce soit sans autorisation écrite du propriétaire. Property of c BERG ELECTRONICS. Copyright BERG ELECTRONICS by

All rights strictly reserved. Reproduction or issue to third parties in any for whatever is not permitted without written authority from the proprietor. Property of c BERG ELECTRONICS. Copyright BERG ELECTRONICS by

1	2	3	4	5	6
PRODUCT NUMBER		DIM.A	DIM.B		
10017657-20100 OR 10017657-20100LF		4.0	66		
10017657-20200 OR 10017657-20200LF		7.0	63		



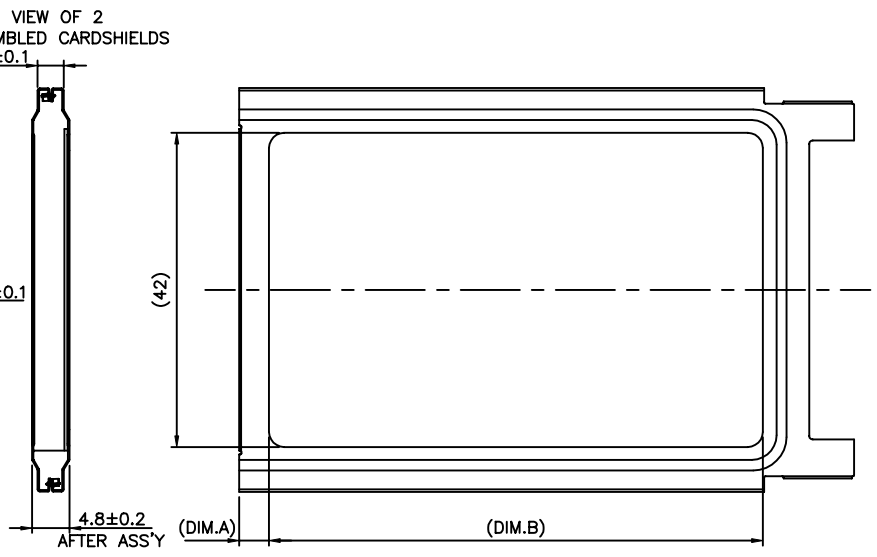
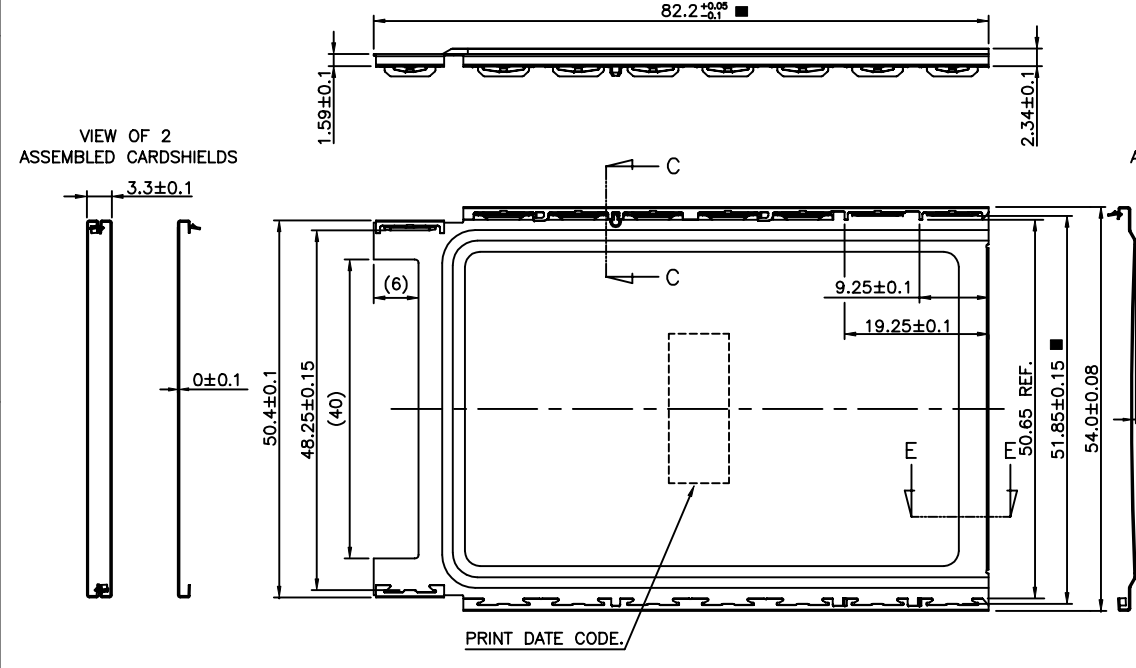
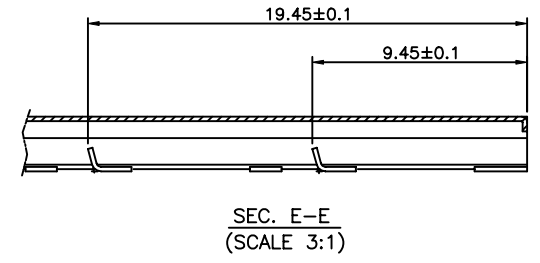
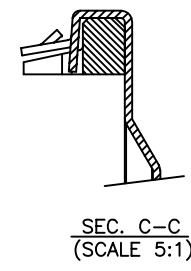
NOTE: 1. ■ : CPK MARK >= 1.5

mat'l code		tolerance unless otherwise specified		CUSTOMER		A FCI		www.fciconnect.com	
rev.	ecn no.	dr	date	linear	X. ±0.3	COPY		title	
F					.X ±0.13	projection	ROCARD SHIELD		
				angles	.XX±0.05	⊕		product family PCMCIA	
				dr	±2°	unit	size		code
				enr		mm/inch	dwg no.		
				chr		scale	10017657		sheet
				appd			A3		3 OF
sheet	revision								
index	sheet								

Tous droits strictement réservés. Reproduction ou communication a des tiers int sous quelque forme que ce soit sans autorisation écrite du propriétaire. Property of c BERG ELECTRONICS. Copyright BERG ELECTRONICS by

All rights strictly reserved. Reproduction or issue to third parties in any for whatever is not permitted without written authority from the proprietor. Property of c BERG ELECTRONICS. Copyright BERG ELECTRONICS by

1	2	3	4	5	6
PRODUCT NUMBER		DIM.A	DIM.B		
10017657-20101 OR 10017657-20101LF		4.0	66		
10017657-20201 OR 10017657-20201LF		7.0	63		



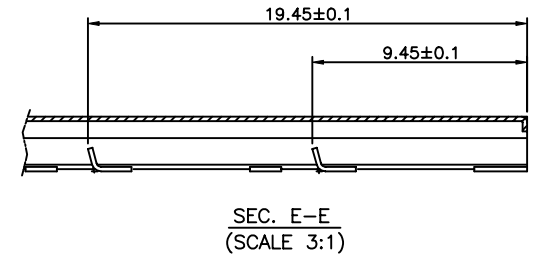
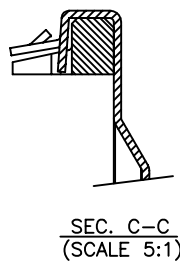
NOTE: 1. ■ : CPK MARK >= 1.5

mat'l code		tolerance unless otherwise specified		CUSTOMER COPY		 www.fciconnect.com		
rev.	ecn no.	dr	date	linear	X. ±0.3	projection	title	
F					.X ±0.13		ROCARD SHIELD	
				angles	.XX±0.05			
				dr	WENDY CHEN 10/21/02	unit	product family PCMCIA	code
				enr	DAVID TENG 10/21/02	mm/inch	size	dwg no.
				chr	TONY CHIEN 10/21/02	scale	A3	10017657
				appd	JENN TSAO 10/21/02			sheet 4 OF
sheet index	revision sheet							

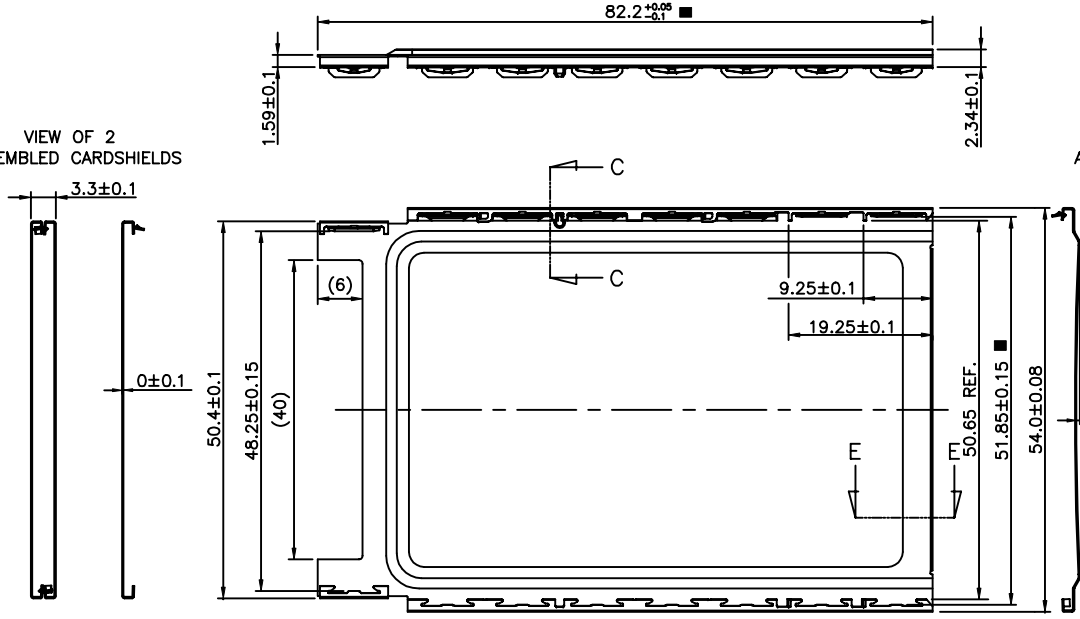
Tous droits strictement réservés. Reproduction ou communication à des tiers interdite sans autorisation écrite du propriétaire. Copyright © BERG ELECTRONICS by

All rights strictly reserved. Reproduction or issue to third parties in any form or by any means, electronic or mechanical, including photocopying, recording, or by any information storage and retrieval system, without written authority from the proprietor. Copyright © BERG ELECTRONICS by

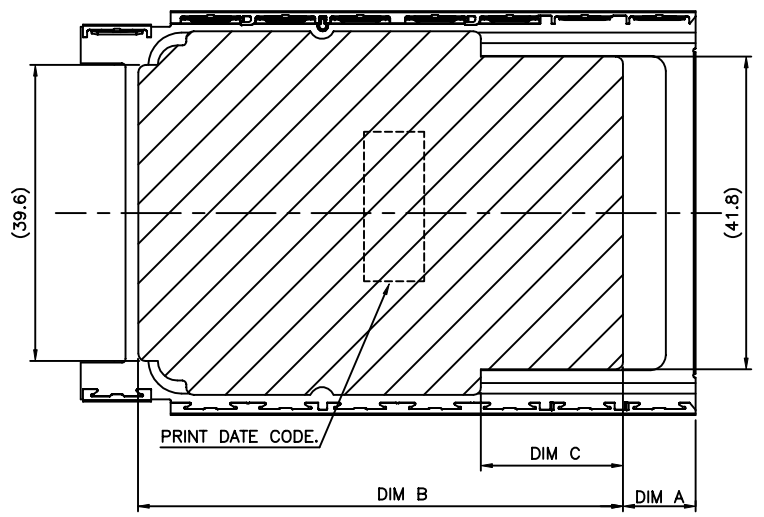
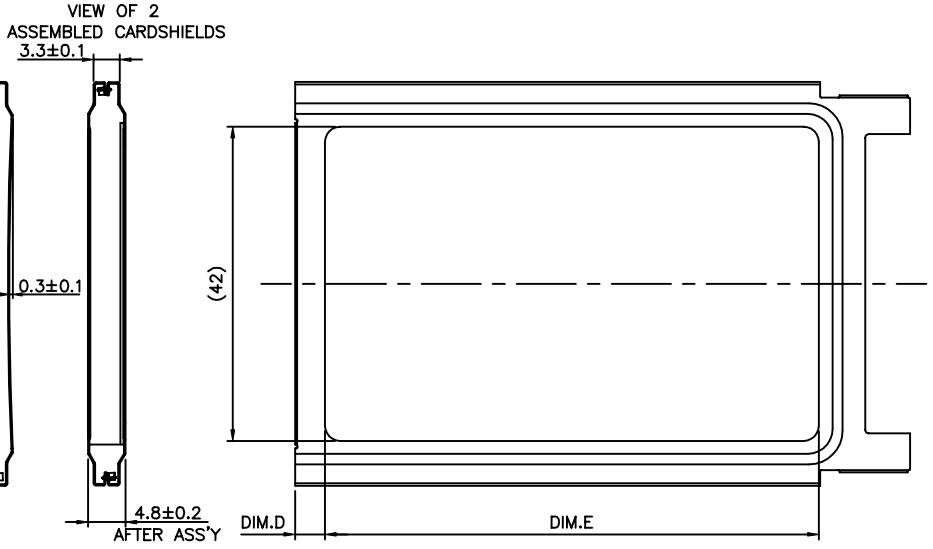
PRODUCT NUMBER	DIM A	DIM B	DIM C	DIM D	DIM E
10017657-20111 OR 10017657-20111LF	1.4±1.0	73.1 REF	27.3 REF	4.0	66
10017657-20121 OR 10017657-20121LF	9.7±1.0	64.8 REF	19.0 REF	4.0	66
10017657-20211 OR 10017657-20211LF	1.4±1.0	73.1 REF	27.3 REF	7.0	63
10017657-20221 OR 10017657-20221LF	9.7±1.0	64.8 REF	19.0 REF	7.0	63



VIEW OF 2 ASSEMBLED CARDSHIELDS



VIEW OF 2 ASSEMBLED CARDSHIELDS



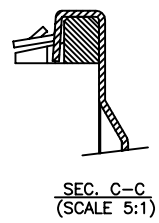
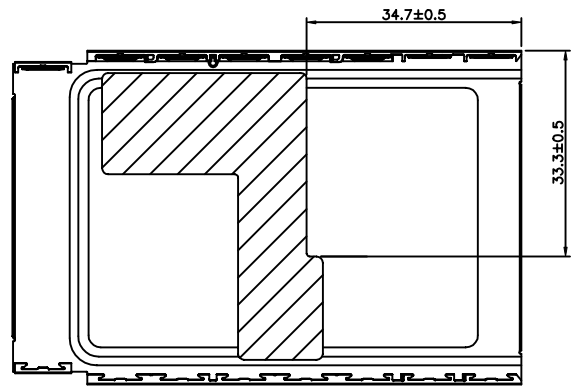
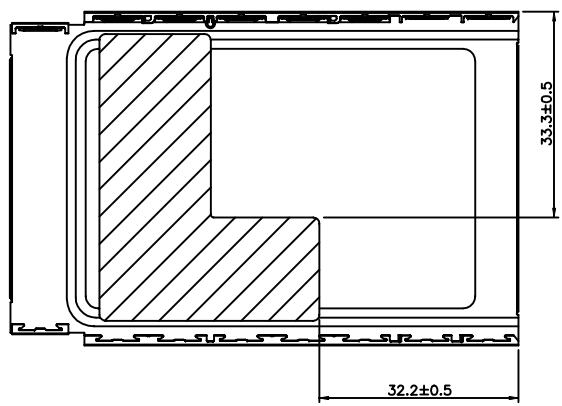
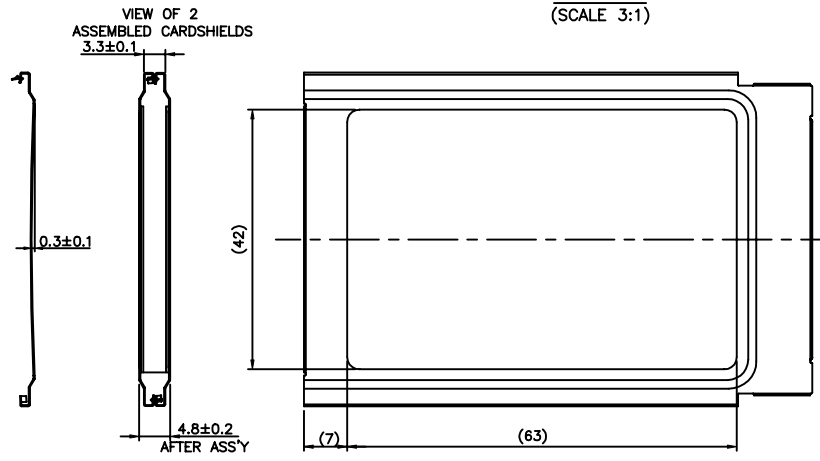
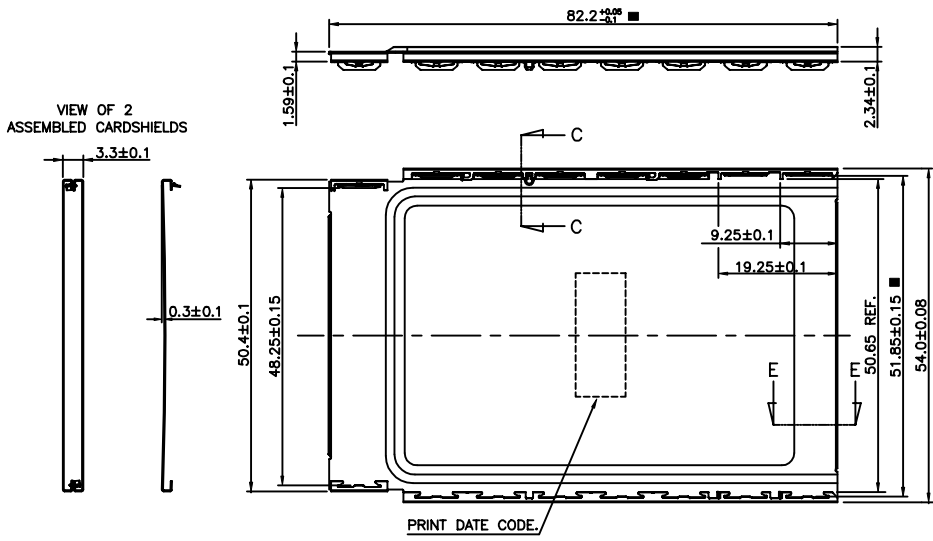
NOTE: 1. ■ : CPK MARK >= 1.5

mat'l code				tolerance unless otherwise specified				CUSTOMER		A FCI www.fciconnect.com	
rev. ecn no. dr date				linear		X. ±0.3		COPY		title	
F						.X ±0.13		projection		ROCARD SHIELD	
				angles		.XX±0.05		⊕		product family PCMCIA code	
						±2°		unit		size	
				dr WENDY CHEN 10/21/02		mm/inch		scale		dwg no.	
				enr DAVID TENG 10/21/02		A3		10017657		sheet 5 OF	
				chr TONY CHIEN 10/21/02							
				appd JENN TSAO 10/21/02							
sheet		revision		index		sheet					

Tous droits strictement réservés. Reproduction ou communication à des tiers int  
 sous quelque forme que ce soit sans autorisation écrite du propriétaire.  
 Propriété de c BERG ELECTRONICS  
 Droits de reproduction BERG ELECTRONICS by

All rights strictly reserved. Reproduction or issue to third parties in any for  
 whatever is not permitted without written authority from the proprietor.  
 Property of c BERG ELECTRONICS.  
 Copyright BERG ELECTRONICS by

1   PRODUCT NUMBER		2   CISCO P/N		3		4		5		6	
10017657-20230-C1 OR 10017657-20230-1LF		62-10960-01									
10017657-20230-C2 OR 10017657-20230-2LF		62-10962-01									



P/N: 10017657-20230-C1  
 OR  
 P/N: 10017657-20230-C1LF

P/N: 10017657-20230-C2  
 OR  
 P/N: 10017657-20230-C2LF

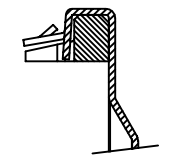
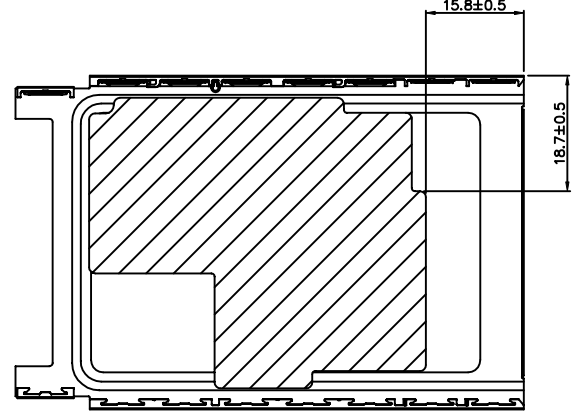
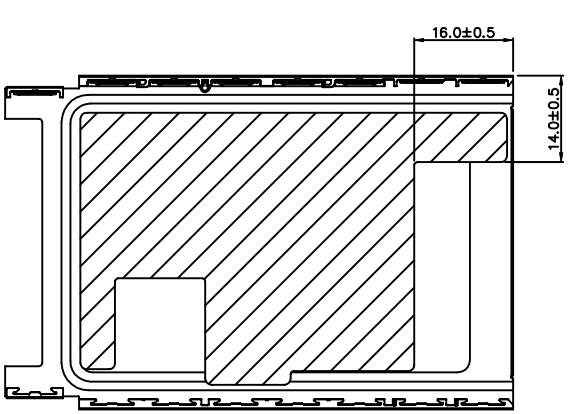
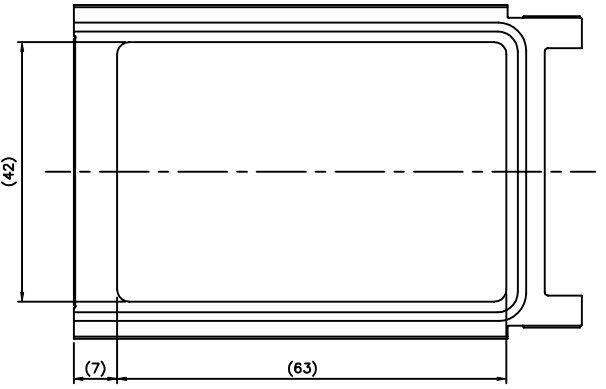
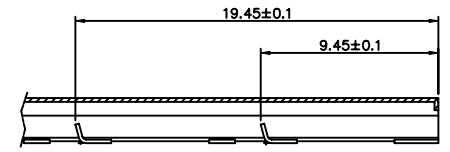
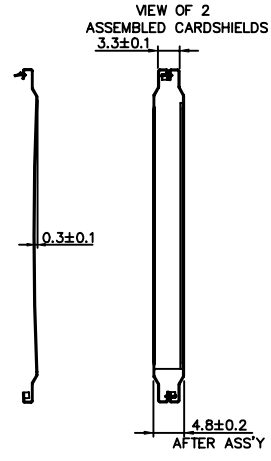
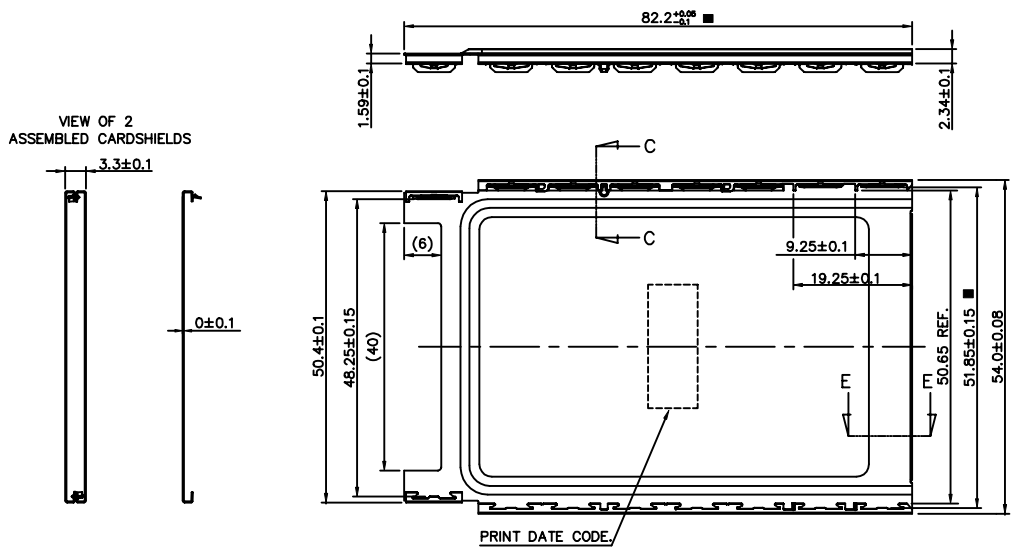
NOTE: 1. ■ : CPK MARK >= 1.5

mat'l code				tolerance unless otherwise specified				CUSTOMER COPY		 www.fciconnect.com	
rev.	ecn	no.	dr	date	linear	X. ±0.3		projection	title		
F						.X ±0.13	ROCARD SHIELD				
					angles	.XX ±0.05			CUSTOMIZED INSULATOR		
						±2°			product family		code
					dr	WENDY CHEN	04/03/03	unit mm/inch	PCMCIA		
					enr	DAVID TENG	04/03/03		scale	size	
					chr	TONY CHIEN	04/03/03	A3		10017657	
					appd	JENN TSAO	04/03/03				6 OF
sheet	revision										
index	sheet										

Tous droits strictement réservés. Reproduction ou communication a des tiers int sous quelque forme que ce soit sans autorisation écrite du propriétaire. Property of c BERG ELECTRONICS. Copyright BERG ELECTRONICS by

All rights strictly reserved. Reproduction or issue to third parties in any for whatever is not permitted without written authority from the proprietor. Property of c BERG ELECTRONICS. Copyright BERG ELECTRONICS by

1   PRODUCT NUMBER		2   CISCO P/N	
10017657-20231-C1 OR 10017657-20231-1LF		62-10959-01	
10017657-20231-C2 OR 10017657-20231-2LF		62-10961-01	



P/N: 10017657-20231-C1  
OR  
P/N: 10017657-20231-C1LF

P/N: 10017657-20231-C2  
OR  
P/N: 10017657-20231-C2LF

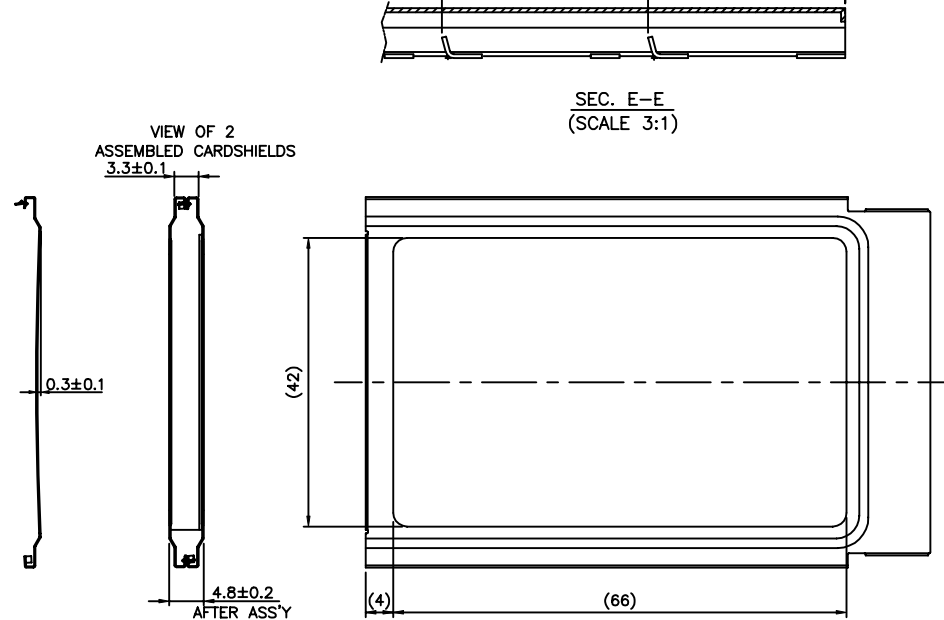
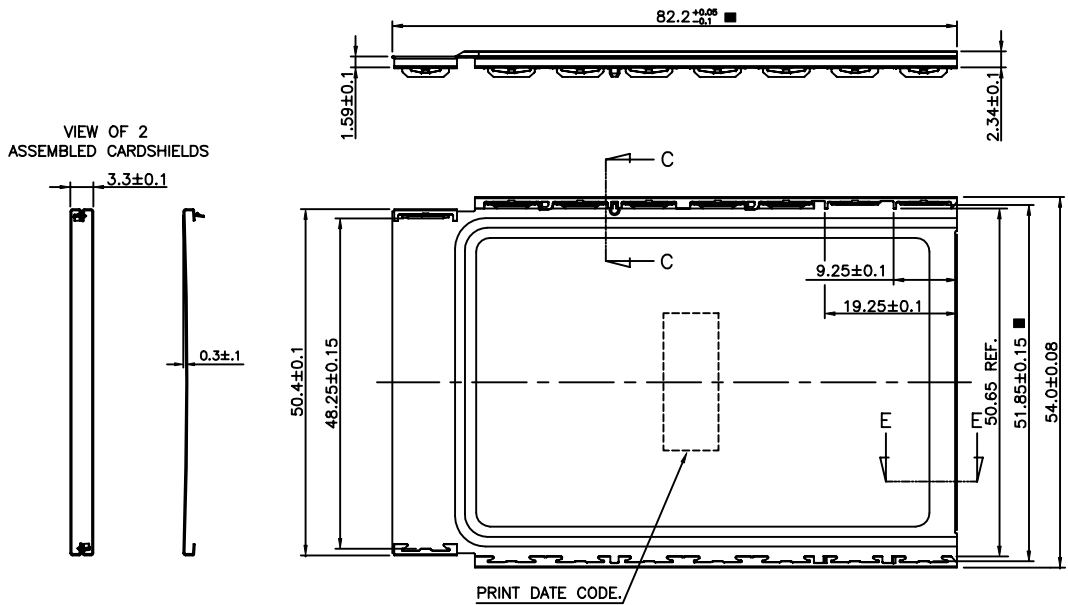
NOTE: 1. ■ : CPK MARK >= 1.5

mat'l code				tolerance unless otherwise specified				CUSTOMER COPY		 www.fciconnect.com	
rev.	ecn no.	dr	date	linear	X. ±0.3		projection		title		
F					.X ±0.13				ROCARD SHIELD		
					.XX ±0.05				CUSTOMIZED INSULATOR		
				angles	±2°		 mm/inch	 scale	product family		code
				dr	WENDY CHEN	04/03/03			PCMCIA		
				enr	DAVD TENG	04/03/03			size	dwg no.	
				chr	TONY CHIEN	04/03/03			A3	10017657	
sheet	revision			appd	JENN TSAO	04/03/03				sheet	
index	sheet									7 OF	

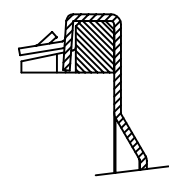
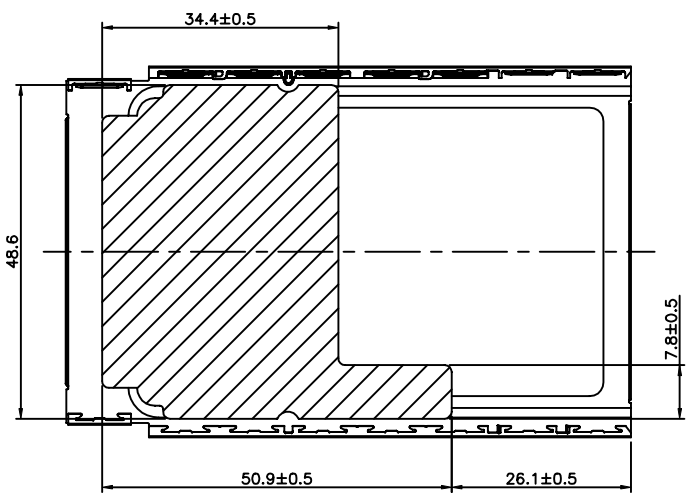
Tous droits strictement réservés. Reproduction ou communication à des tiers int  
 sous quelque forme que ce soit sans autorisation écrite du propriétaire.  
 Property of c BERG ELECTRONICS  
 Copyright BERG ELECTRONICS by

All rights strictly reserved. Reproduction or issue to third parties in any for  
 whatever is not permitted without written authority from the proprietor.  
 Property of c BERG ELECTRONICS  
 Copyright BERG ELECTRONICS by

1	2	3	4	5	6
PRODUCT NUMBER		GEMTEK P/N			
10017657-20130-G1 OR 10017657-20130-1LF		23-600-0027			



SEC. E-E  
(SCALE 3:1)



SEC. C-C  
(SCALE 5:1)

NOTE: 1. ■ : CPK MARK >= 1.5

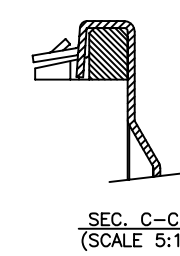
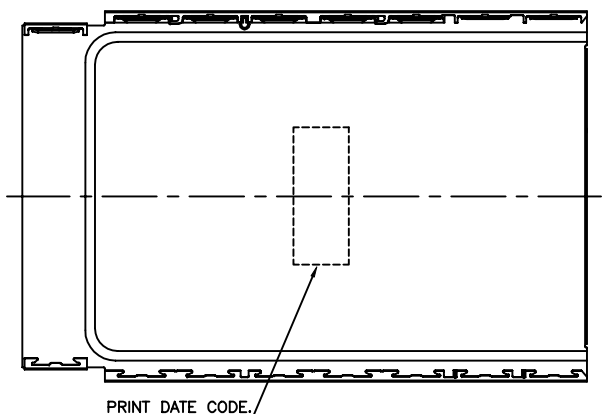
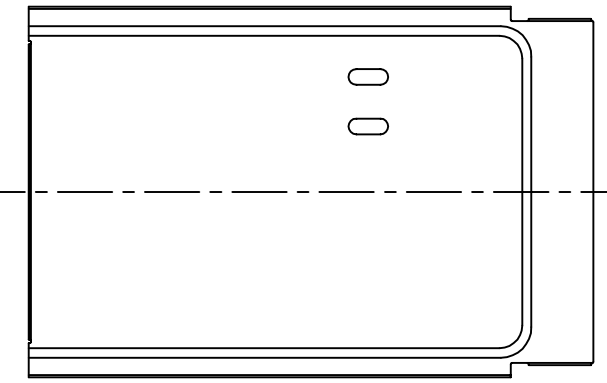
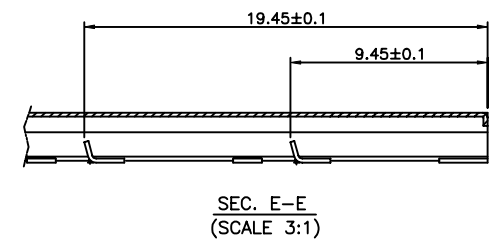
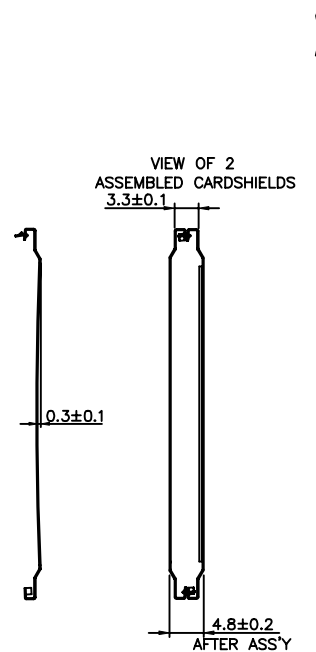
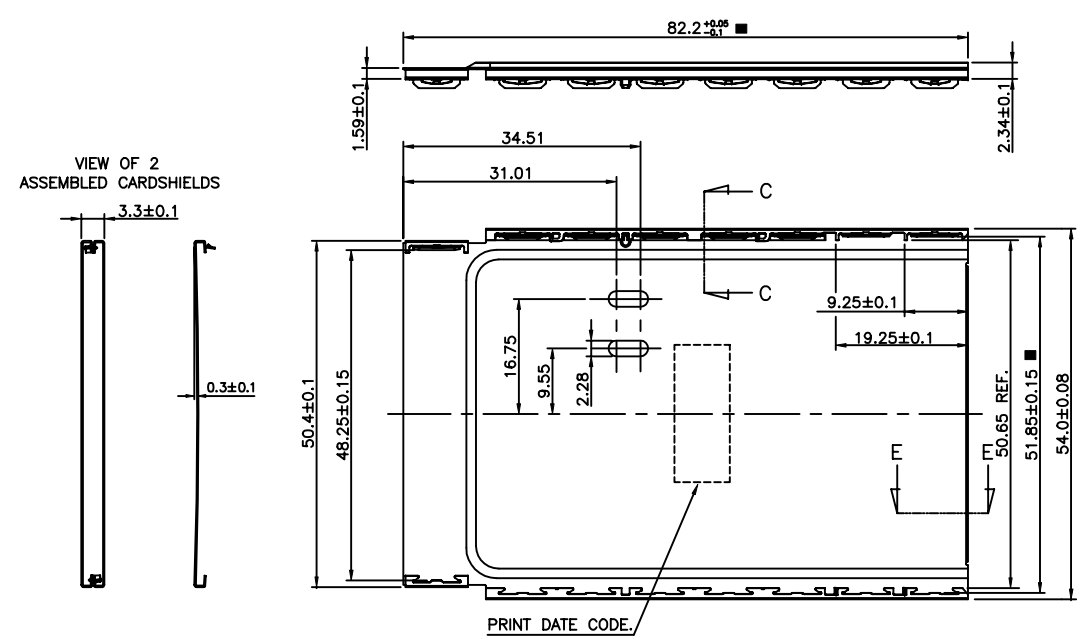
mat'l code		tolerance unless otherwise specified		CUSTOMER COPY		 www.fciconnect.com	
rev.	ecn no.	dr	date	linear	X. ±0.3	projection	title
F					.X ±0.13		ROCARD SHIELD CUSTOMIZED INSULATOR
				angles	.XX±0.05		product family
				dr	WENDY CHEN 07/15/03	unit	code
				enr	DAVID TENG 07/15/03	mm/inch	size
				chr	TONY CHIEN 07/15/03	scale	dwg no.
				appd	JENN TSAO 07/15/03	A3	10017657
sheet	revision						sheet
index	sheet						8 OF



Tous droits strictement réservés. Reproduction ou communication a des tiers int sous quelque forme que ce soit sans autorisation écrite du propriétaire. Property of c BERG ELECTRONICS. Copyright BERG ELECTRONICS by

All rights strictly reserved. Reproduction or issue to third parties in any for whatever is not permitted without written authority from the proprietor. Property of c BERG ELECTRONICS. Copyright BERG ELECTRONICS by

1   PRODUCT NUMBER		2   REMARK		3		4		5		6	
10017657-20000 OR 10017657-20000LF		STANDARD TYPE (NONE OVAL-SHAPE HOLE)									
10017657-20000-01 OR 10017657-20000-1LF		FOR NOVATEL SPECIAL REQUEST (WITH OVAL-SHPAE HOLE)									



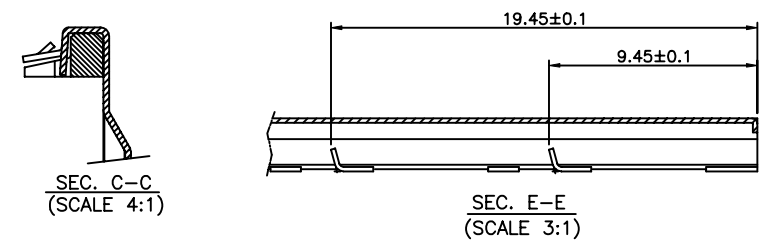
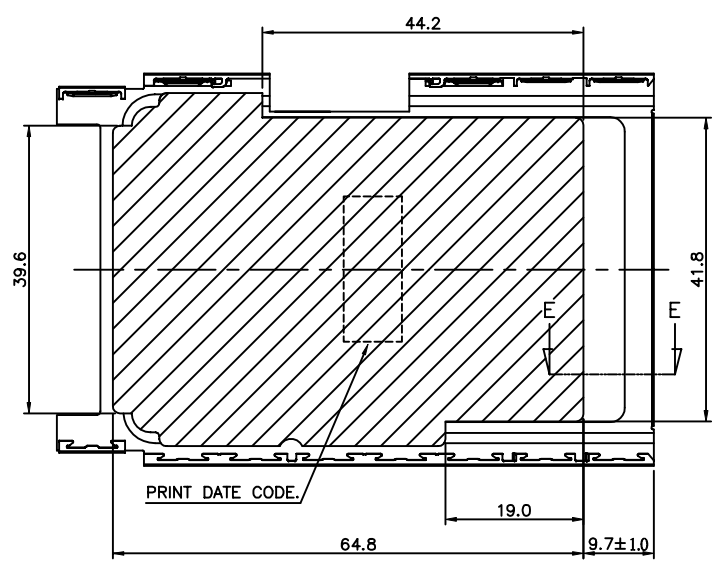
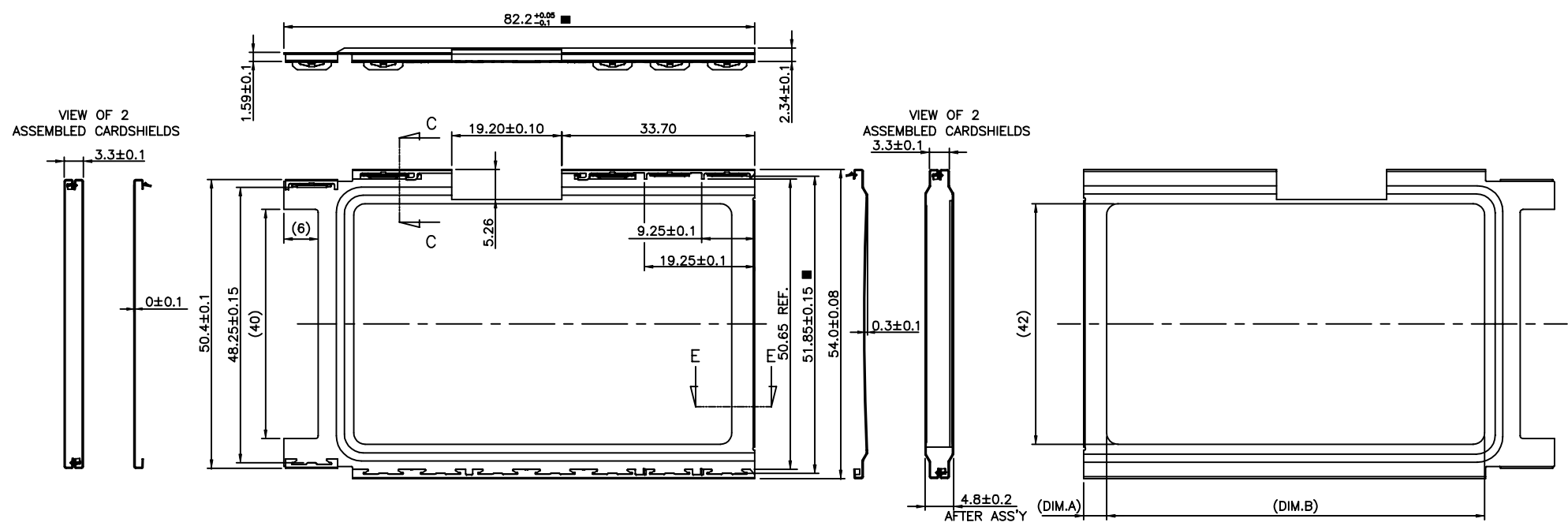
NOTE: 1. ■ : CPK MARK >= 1.5

P/N: 10017657-20000 OR 10017657-20000LF

mat'l code				tolerance unless otherwise specified				CUSTOMER COPY		 www.fciconnect.com	
rev.	ecn no.	dr	date	linear	X. ±0.3		projection	title			
F					.X ±0.13			ROCARD SHIELD			
					.XX ±0.05			CUSTOMIZED REQUIREMENT			
				angles	±2°		 mm/inch	product family		code	
				dr	WENDY CHEN	04/03/06		PCMCIA			
				enr	DAVID TENG	04/03/06		size		dwg no.	
				chr	DAVID TENG	04/03/06		A3		10017657	
				appd	JOSEPH HSIA	04/03/06	scale		10017657		
sheet index	revision	sheet									

1		2		3		4		5		6	
PRODUCT NUMBER	DIM.A	DIM.B	FRAME		INSULATOR						
10017657-20201-1LF	7.0	63	YES WITH SPECIAL CUT		YES						

Tous droits strictement réservés. Reproduction ou communication a des tiers int sous quelque forme que ce soit sans autorisation écrite du propriétaire. Property of c BERG ELECTRONICS. Droits de reproduction BERG ELECTRONICS by



NOTE: 1. ■ : CPK MARK ≥ 1.5

All rights strictly reserved. Reproduction or issue to third parties in any for whatever is not permitted without written authority from the proprietor. Property of c BERG ELECTRONICS. Copyright BERG ELECTRONICS by

P/N: 10017657-20201-1LF

mat'l code				tolerance unless otherwise specified				CUSTOMER COPY		 www.fciconnect.com	
rev.	ecn no.	dr	date	linear	X. ±0.3		projection	title			
H					.X ±0.13			ROCARD SHIELD			
					.XX±0.05			CUSTOMIZED REQUIREMENT			
				angles	±2°		 unit mm/inch scale A3	product family		code	
				dr	WENDY CHEN 05/10/06			PCMCIA			
				enr	DAVID TENG 05/10/06			size		dwg no.	
				chr	DAVID TENG 05/10/06			A3		10017657	
sheet	revision			appd	JOSEPH HSIA 05/10/06		scale		sheet		
index	sheet									100F	

# AMEYA360

## Components Supply Platform

### Authorized Distribution Brand :



### Website :

Welcome to visit [www.ameya360.com](http://www.ameya360.com)

### Contact Us :

#### ➤ Address :

401 Building No.5, JiuGe Business Center, Lane 2301, Yishan Rd  
Minhang District, Shanghai , China

#### ➤ Sales :

Direct +86 (21) 6401-6692

Email [amall@ameya360.com](mailto:amall@ameya360.com)

QQ 800077892

Skype [ameyasales1](#) [ameyasales2](#)

#### ➤ Customer Service :

Email [service@ameya360.com](mailto:service@ameya360.com)

#### ➤ Partnership :

Tel +86 (21) 64016692-8333

Email [mkt@ameya360.com](mailto:mkt@ameya360.com)