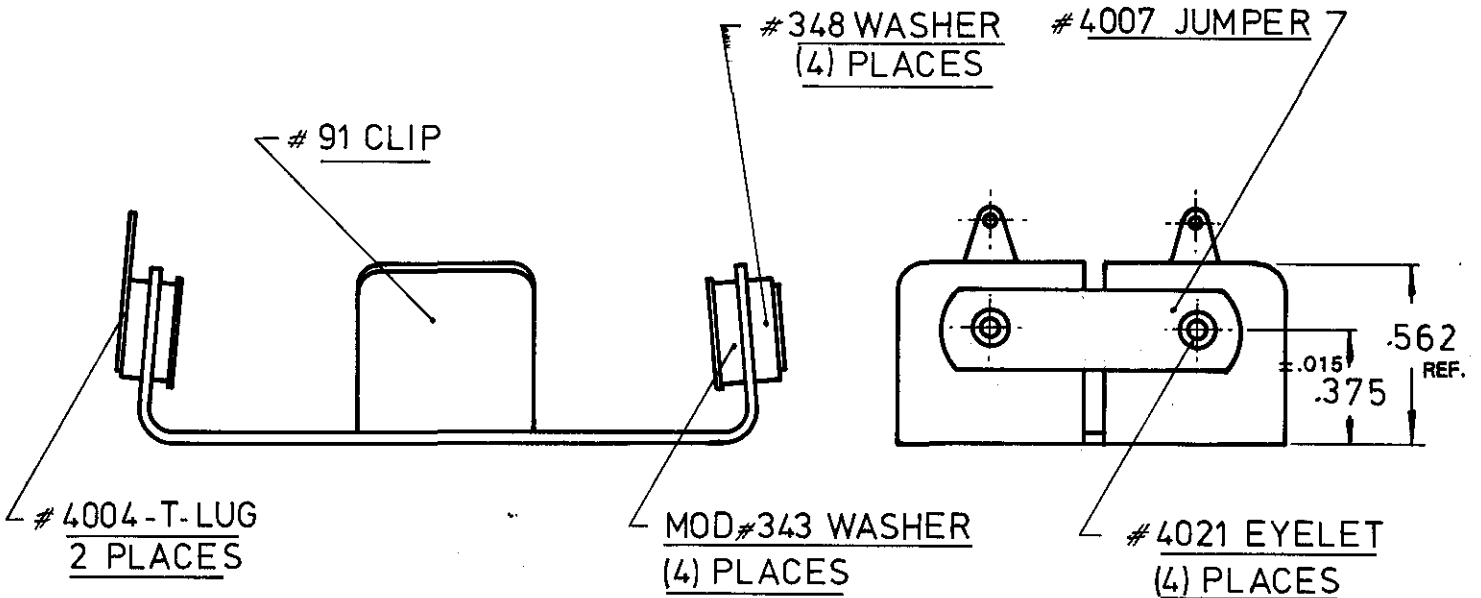
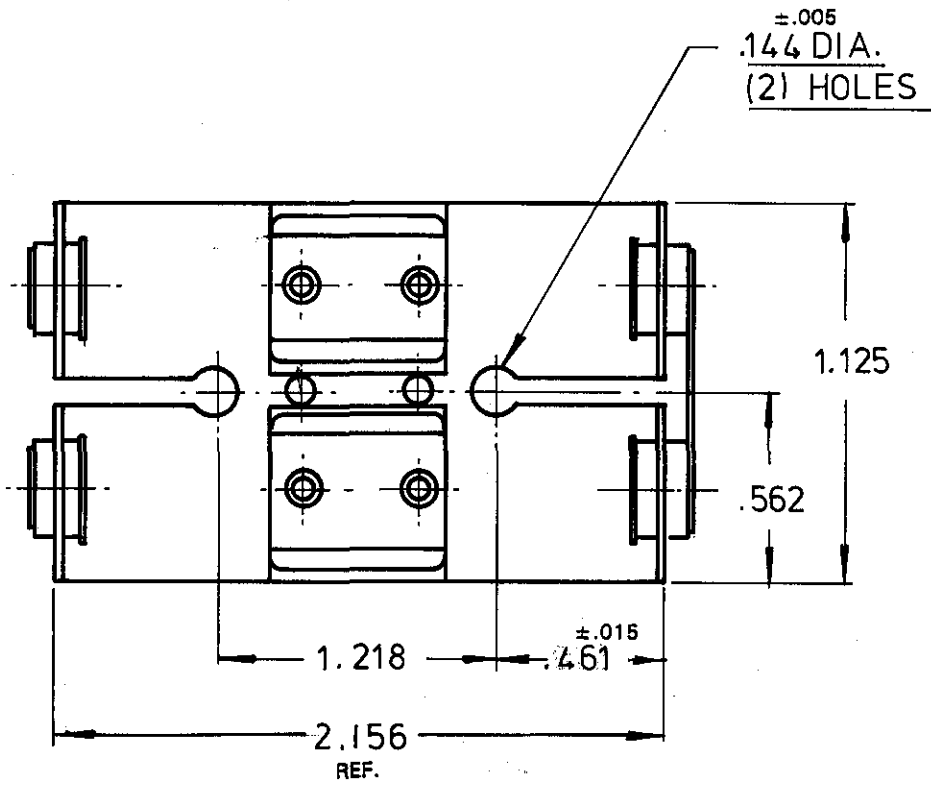


NO. 146

CODE  
C/M



<b>KEYSTONE ELECTRONICS CORP.</b>			
ASTORIA, N.Y. 11105-2017			
PART NAME		BATTERY HOLDER	
MATERIAL		.032 TH'K 2024-T3 ALUM.	
FINISH	—	DRAWN BY	L.N. DATE 12.17.81
		APPROVED	SCALE —
TOLERANCES		DWG. NO.	
FRACTIONAL ±.015		146	
DECIMAL ±.010 ANGULAR ± 1/4°			
UNLESS OTHERWISE NOTED			

DATE	REVISION	ISSUE

# AMEYA360

## Components Supply Platform

### Authorized Distribution Brand :



### Website :

Welcome to visit [www.ameya360.com](http://www.ameya360.com)

### Contact Us :

#### ➤ Address :

401 Building No.5, JiuGe Business Center, Lane 2301, Yishan Rd  
Minhang District, Shanghai , China

#### ➤ Sales :

Direct +86 (21) 6401-6692

Email [amall@ameya360.com](mailto:amall@ameya360.com)

QQ 800077892

Skype [ameyasales1](#) [ameyasales2](#)

#### ➤ Customer Service :

Email [service@ameya360.com](mailto:service@ameya360.com)

#### ➤ Partnership :

Tel +86 (21) 64016692-8333

Email [mkt@ameya360.com](mailto:mkt@ameya360.com)