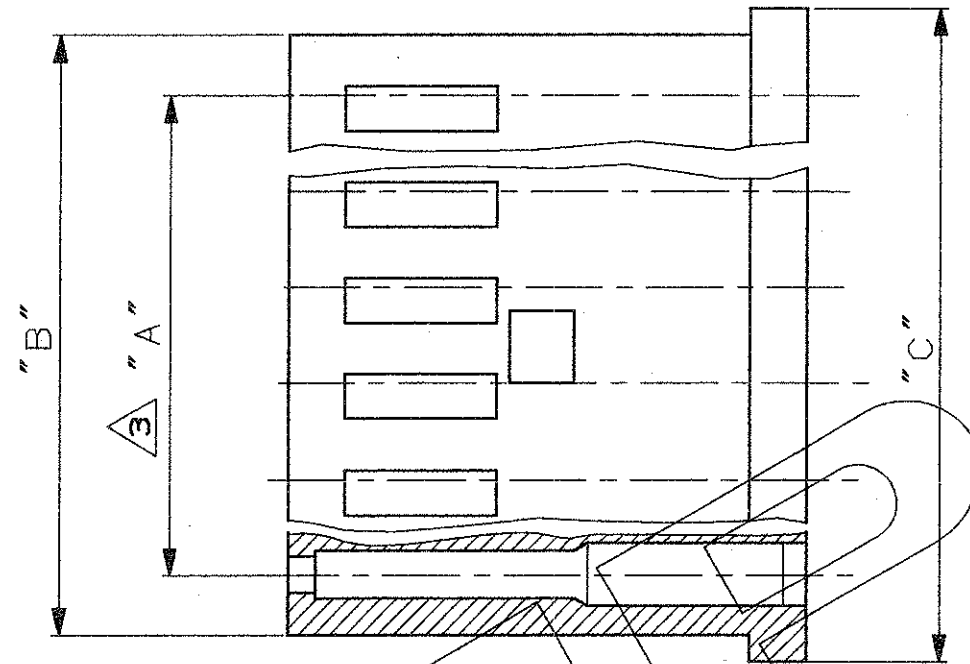
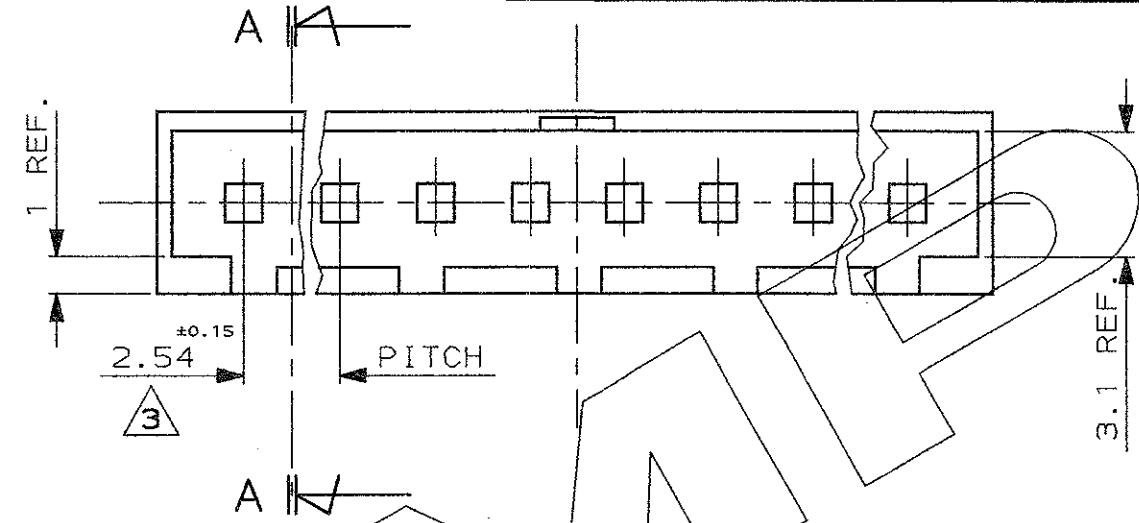
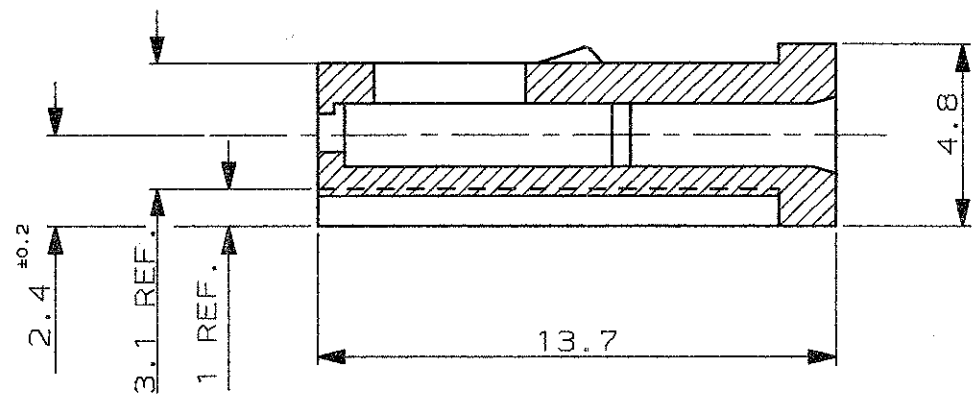


SEZ. A-A
(SECT. A-A)

SCALA NON IMPEGNATIVA
(DO NOT SCALE)
DIMENSIONI IN mm
(DIMENSIONS IN IN)

METRIC

PROIEZIONE EUROPEA
(EUROPEAN PROJECTION)



| N° POS. | PART NUMBER | DIM. "A" | DIM. "B" | DIM. "C" | MATERIAL (SEE NOTE) |
|---------|-------------|----------|----------|----------|---------------------|
| 4 | 1-280359-0 | 7.62 | 10.6 | 12.2 | 2 |
| 2 | 1-280358-0 | 2.54 | 5.6 | 7.1 | |
| 22 | 280364-0 | 53.34 | 56.4 | 57.9 | 1 |
| 15 | 280363-0 | 35.56 | 38.6 | 40.1 | |
| 12 | 280514-0 | 27.94 | 31 | 32.5 | |
| 10 | 280362-0 | 22.86 | 25.9 | 27.4 | |
| 9 | 280512-0 | 20.32 | 23.3 | 24.9 | |
| 8 | 280361-0 | 17.78 | 20.8 | 22.3 | |
| 6 | 280360-0 | 12.70 | 15.7 | 17.3 | |
| 4 | 280359-0 | 7.62 | 10.6 | 12.2 | |
| 2 | 280358-0 | 2.54 | 5.6 | 7.1 | |

- 1 NORYL, UL94 V1, COLORE NERO / NORYL, UL94 V1, BLACK COLOUR
- 2 NORYL SE-1 COLORE ROSSO / NORYL SE-1 RED COLOUR
- 3 TOLLERANZA NON CUMULATIVA / NON CUMULATIVE TOLERANCE
- 4 PERMITTED FLASH 0.01 INCH MAX

CUSTOMER DRAWING
FOR REFERENCE ONLY

DISEGNO PER CLIENTE
SOLO PER RIFERIMENTO

THIS DRAWING IS UNPUBLISHED | RELEASE FOR PUBLICATION

TOLLERANZE, SE NON
DIVERSAMENTE SPECIFICATO
(TOLERANCES, UNLESS
OTHERWISE SPECIFIED)

DIAM. ISOLANTE
(INS. DIA. RANGE)

RANGO FILO
(WIRE RANGE)

SCALA
(SCALE)

± 0.3

ANGOLI
(ANGLES)

± 2°

STE TE Connectivity

DIS. 11 APRIL '95
(DR.) C. PIA

DESCRIZIONE
(DESCRIPTION) AMPMODU II REC. HSG

CONT. 11 APRIL '95
(CHK) R. CANTORE

SINGLE ROW, CRIMP ON-SNAP IN

| | | | |
|------------------|---|------------|-------------|
| Y3 | ADDED NOTE 4 AND OBSOLESCE OF PIN 1-280358-0 & 1-280359-0 | SP | 08NOV 2012 |
| REV. (REV. DATE) | REVISIONI (REVISION RECORD) | DIS. (DR.) | DATA (DATE) |

APP. (APP.)

LOC. SIZE NUMERO (DWG NO)
I A3 C - 280358

REV. Y3
FOGLIO (SHEET) 1 DI (OF) 1

DISTRIBUZIONE (PRINT DIST.)

Authorized Distribution Brand :



Website :

Welcome to visit www.ameya360.com

Contact Us :

➤ Address :

401 Building No.5, JiuGe Business Center, Lane 2301, Yishan Rd
Minhang District, Shanghai , China

➤ Sales :

Direct +86 (21) 6401-6692

Email amall@ameya360.com

QQ 800077892

Skype ameyasales1 ameyasales2

➤ Customer Service :

Email service@ameya360.com

➤ Partnership :

Tel +86 (21) 64016692-8333

Email mkt@ameya360.com