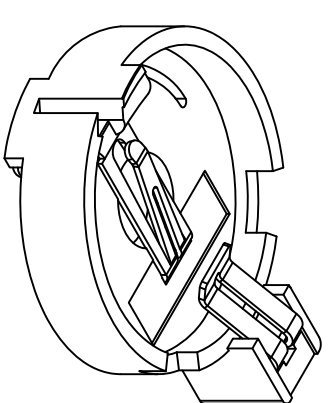
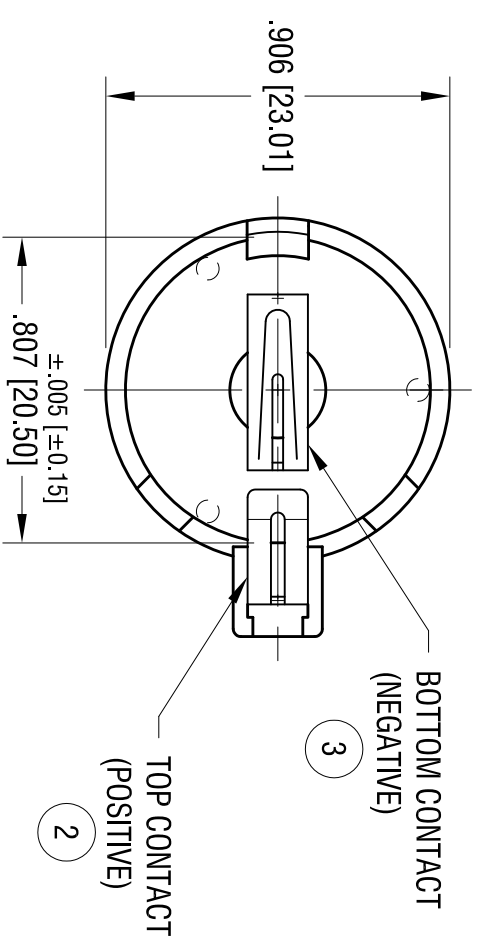
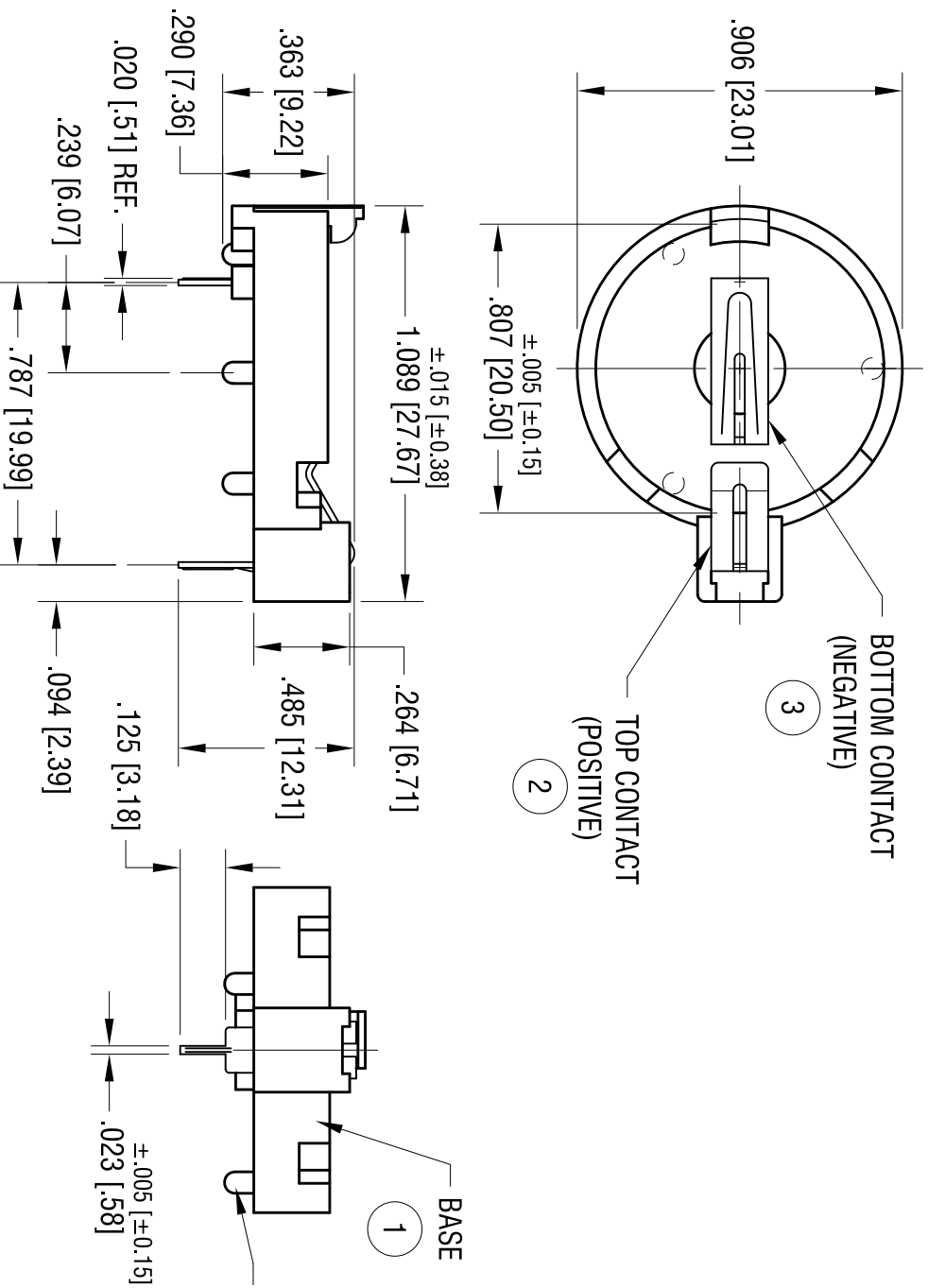


DATE	DESCRIPTION	REV.
11.9.04	CHANGE AS PER ECN 04-137	C
2.05.10	CHANGE AS PER ECN 10-010	D
6.14.10	CHANGE AS PER ECN 10-040	E



THIS DOCUMENT IS THE PROPERTY OF KEYSTONE ELECTRONICS CORP. IT SHALL NOT BE REPRODUCED, DISTRIBUTED OR USED AS A BASIS FOR MANUFACTURE WITHOUT PRIOR WRITTEN PERMISSION FROM KEYSTONE ELECTRONICS CORP.

KEYSTONE ELECTRONICS CORP.

www.keystec.com • ASTORIA, N.Y. 11105-2017 • Tel (718) 956-8900

PART NAME

COMPACT 20mm BATTERY HOLDER

MATERIAL

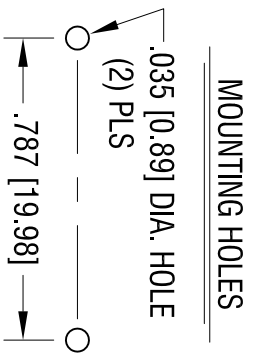
AS NOTED

FINISH

AS NOTED

TOLERANCES	INCH	[MM]	CODE	DWG NO.
DECIMAL	± .010	[± 0.25]	C	1066
ANGULAR	± 1°			

ITEM	DESCRIPTION	MATERIAL/FINISH
1	BASE BLACK	GLASS FILLED NYLON, UL 94V-0
2	TOP CONTACT	PHOSPHOR BRONZE .016 [0.40] THK
3	BOTTOM CONTACT	TIN PLATE OVER COPPER



MOUNTING HOLES

AMEYA360

Components Supply Platform

Authorized Distribution Brand :



Website :

Welcome to visit www.ameya360.com

Contact Us :

➤ Address :

401 Building No.5, JiuGe Business Center, Lane 2301, Yishan Rd
Minhang District, Shanghai , China

➤ Sales :

Direct +86 (21) 6401-6692

Email amall@ameya360.com

QQ 800077892

Skype [ameyasales1](#) [ameyasales2](#)

➤ Customer Service :

Email service@ameya360.com

➤ Partnership :

Tel +86 (21) 64016692-8333

Email mkt@ameya360.com