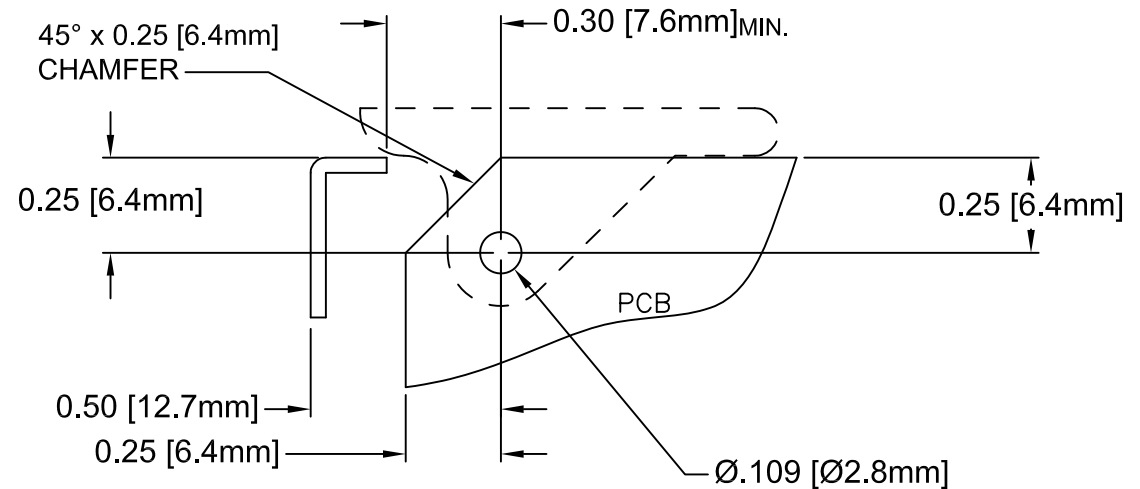
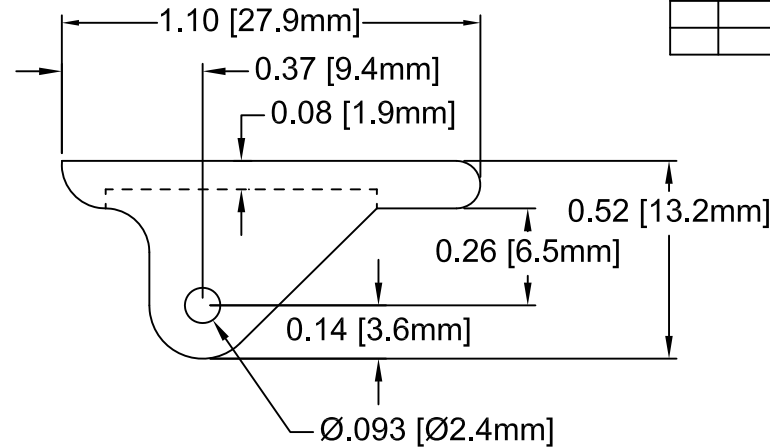
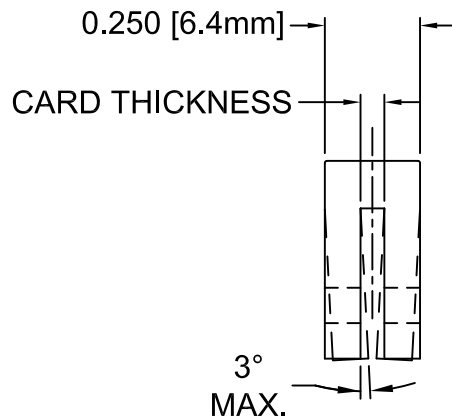


REV.	DESCRIPTION	DATE	APPROVED
F	Production Release.	02/24/04	M. C.
G	Added Max. Allowable Draft Angle.	06/13/13	T. Y.



### Recommended Application Layout

PART NO.	BIVAR MT'L CODE	CARD THICK.
CP-36 NT	03-NL (#2, Natural)	1/16"(1.6mm)
CP-36 BK	03-NL-BK (#3, Black)	
CP-36 WE	04-WE (#4, White)	
CP-39 NT	03-NL (#2, Natural)	3/32"(2.4mm)
CP-39 BK	03-NL-BK (#3, Black)	
CP-39 WE	04-WE (#4, White)	

4. MATERIAL: NYLON 6/6, 94V-2, WHITE. BIVAR MATERIAL CODE 04-WE. BASF ULTRAMID NYLON 6/6 A3K WHITE.
3. MATERIAL: NYLON 6/6, 94V-2, BLACK. BIVAR MATERIAL CODE 03-NL-BK. BASF ULTRAMID NYLON 6/6 A3K NATURAL W/BLACK PIGMENT ADDED.
2. MATERIAL: NYLON 6/6, 94V-2, NATURAL. BIVAR MATERIAL CODE 03-NL. BASF ULTRAMID NYLON 6/6 A3K NATURAL.
1. GENERAL SPECIFICATIONS: BIVAR MOLDED COMPONENT SPECIFICATION BV00-E101.

STANDARD TOLERANCE (UNLESS OTHERWISE SPECIFIED)		BIVAR®	
DECIMALS	ANGULAR	4 THOMAS, IRVINE, CA. 92618 TEL: (949) 951-8808 FAX: (949) 951-3974	
.X ±.1	X° ± 1°	<b>TITLE:</b> CIRCUIT BOARD CARD EJECTOR	
.XX ±.01		<b>PART NO:</b> CP-3X	<b>REVISION:</b> G
.XXX ±.005		<b>CAGE CODE :</b> 32559	<b>SHEET #</b> 1 <b>OF</b> 1
DESIGNED: <b>Shane Irving</b>	DATE: <b>05/19/98</b>	CAD GENERATED DOCUMENT, DO NOT MEASURE DRAWING.	
CHECKED: <b>M. Chen</b>	DATE: <b>09/09/03</b>		

# AMEYA360

## Components Supply Platform

Authorized Distribution Brand :



Website :

Welcome to visit [www.ameya360.com](http://www.ameya360.com)

Contact Us :

➤ Address :

401 Building No.5, JiuGe Business Center, Lane 2301, Yishan Rd  
Minhang District, Shanghai , China

➤ Sales :

Direct +86 (21) 6401-6692

Email [amall@ameya360.com](mailto:amall@ameya360.com)

QQ 800077892

Skype [ameyasales1](#) [ameyasales2](#)

➤ Customer Service :

Email [service@ameya360.com](mailto:service@ameya360.com)

➤ Partnership :

Tel +86 (21) 64016692-8333

Email [mkt@ameya360.com](mailto:mkt@ameya360.com)