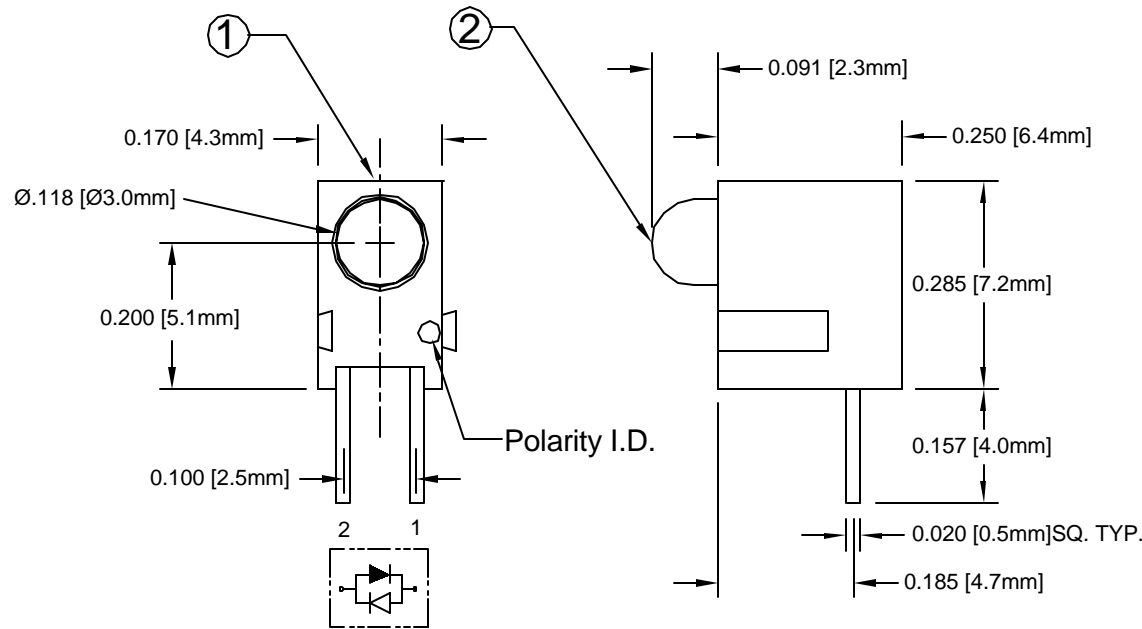
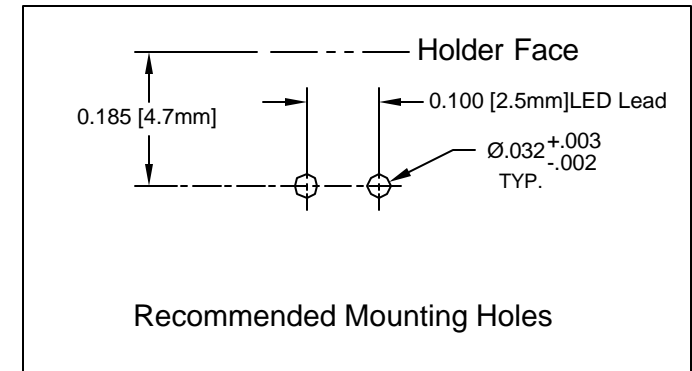


ITEM	Q'TY	PART NUMBER	PART DESCRIPTION
1	1	H-100C	T-1 (3mm) LED Holder, 90° Mount, Interlocking Center
2	1	3BC-X/X-X	T-1 (3mm) N-Flange Bi Color LED

REV.	DESCRIPTION	DATE	APPROVED
A	Engineering Release	09/21/05	M. C.



LED PART NO.	CATHODE	CATHODE
3BC	RED	GREEN
3BC-Y/G	YELLOW	GREEN
3BC-R/Y	RED	YELLOW
3BC-A/G	AMBER	GREEN



LED Part No.	Chip			Lens Appearance	Absolute Maximum Ratings				Electro-Optical Data @ 20mA			Viewing Angle (Deg)
	Material	Peak Wave Length λ_p (nm)	Emitted Color		$\Delta\lambda$ (nm)	Pd (mW)	If (mA)	Peak If (mA)	Vf (V)		Iv (mcd)	
									Typ.	Max.	Typ.	
3BC	GaAsP/GaP	635	HE RED	WHITE DIFFUSED	45	80	30	150	2.0	2.6	30.0	45
	GaP/GaP	568	GREEN		30	80	30	150	2.2	2.6	30.0	
3BC-Y/G	GaAsP/GaP	585	YELLOW	WHITE DIFFUSED	35	80	30	150	2.1	2.6	15.0	45
	GaP/GaP	568	GREEN		30	80	30	150	2.2	2.6	30.0	
3BC-R/Y	GaAsP/GaP	635	HE RED	WHITE DIFFUSED	45	80	30	150	2.0	2.6	30.0	45
	GaAsP/GaP	585	YELLOW		35	80	30	150	2.1	2.6	15.0	
3BC-A/G	GaAsP/GaP	610	AMBER	WHITE DIFFUSED	35	80	30	150	2.0	2.6	30.0	45
	GaP/GaP	568	GREEN		30	80	30	150	2.2	2.6	30.0	

ABSOLUTE MAXIMUM RATINGS (Ta=25° C)

REVERSE VOLTAGE _____ 5V

REVERSE CURRENT _____ 100 μ A

OPERATING TEMPERATURE RANGE _____ -25° C - 85° C

STORAGE TEMPERATURE _____ -30° C - 100° C

LEAD SOLDERING TEMPERATURE(1/16" FROM BODY) _____ 260° C FOR 5 SECONDS

STANDARD TOLERANCE (UNLESS OTHERWISE SPECIFIED)			BIVAR [®] 4 THOMAS, IRVINE, CA. 92618 TEL: (949) 951-8808 FAX: (949) 951-3974	
DECIMALS	ANGULAR			
.X \pm .1	X° \pm 1°		TITLE: T-1 (3MM) INTERLOCKING 90° SINGLE-LEVEL LED ASSEMBLY	
.XX \pm .02				PART NO: H100CBC
.XXX \pm .010				REVISION: A
DESIGNED: Sonny Dam	DATE: 09/21/05	CAGE CODE : 32559 SHEET # 1 OF 1		
CHECKED: T. Yin	DATE: 09/21/04	CAD GENERATED DOCUMENT. DO NOT MEASURE DRAWING.		

AMEYA360

Components Supply Platform

Authorized Distribution Brand :



Website :

Welcome to visit www.ameya360.com

Contact Us :

➤ Address :

401 Building No.5, JiuGe Business Center, Lane 2301, Yishan Rd
Minhang District, Shanghai , China

➤ Sales :

Direct +86 (21) 6401-6692

Email amall@ameya360.com

QQ 800077892

Skype ameyasales1 ameyasales2

➤ Customer Service :

Email service@ameya360.com

➤ Partnership :

Tel +86 (21) 64016692-8333

Email mkt@ameya360.com