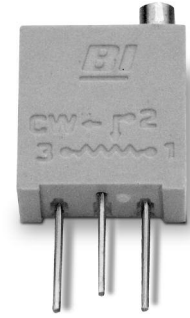


Model 66

3/8" Square

Multiturn

Cermet Trimming Potentiometer



ELECTRICAL

| | |
|-------------------------------|--|
| Standard Resistance Range | 10 Ohms to 2 Megohms |
| Standard Resistance Tolerance | ±10% (<100 Ohms = ±20%) |
| Input Voltage | 200 Vdc Max. or rms not to exceed power rating |
| Slider Current | 100 mA Max. or within rated power, whichever is less |
| Power Rating | 0.5 Watts at 70°C derating to 0 at 125°C |
| End Resistance | 2 Ohms Max. |
| Actual Electrical Travel | 20 turns nominal |
| Dielectric Strength | 1,000 Vrms |
| Insulation Resistance | 1,000 Megohms Min. |
| Resolution | Essentially infinite |
| Contact Resistance Variation | 1% or 1 Ohm Max., whichever is greater |

ENVIRONMENTAL

| | |
|-----------------------------|--|
| Seal | 85°C Fluorinert® (No Leaks) |
| Temperature Coefficient | ±100 ppm/°C (<100 Ohms = ±250 ppm/°C) |
| Operating Temperature Range | -65°C to +150°C |
| Thermal Shock | Five cycles -65°C to +150°C (1% ΔRT, 1% ΔVR) |
| Moisture Resistance | Ten 24 hour cycles (1% ΔRT, IR 1,000 Megohms Min.) |
| Shock | 6 ms sawtooth, 100 G's (1% ΔRT, 1% ΔVR) |
| Vibration | 20 G's, 10 to 2,000 Hz (1% ΔRT, 1% ΔVR) |
| High Temperature Exposure | 250 hours at 125°C (2% ΔRT, 2% ΔVR) |
| Rotational Life | 200 cycles (3% ΔRT) |
| Load Life | 1,000 hours at 70°C & 0.5 Watts (2% ΔRT) |
| Resistance to Solder Heat | 260°C for 10 sec. (1% ΔRT) |

MECHANICAL

| | |
|------------------|------------------------------|
| Mechanical Stops | Clutch action, both ends |
| Torque, Starting | 5 oz.-in. Max. (0.035 N-m) |
| Weight | 0.04 oz. nominal (1.1 grams) |

*Specifications subject to change without notice.
Fluorinert® is a registered trademark of 3M Company.*

Model 66

PACKAGING

Standard (no code): Boxes. Capacity = 100 units for 66W. 50 units for all other pin styles.

Option (TR code, available for 66W & 66X only): Tape & Reel. All units oriented with #1 pin to the right of the direction of feed.

| | | |
|------|---|-----------------------------|
| Tape | Width = | 18 mm |
| | Sprocket = | Single hole, 0.050" spacing |
| | Capacity = | 1,000 units |
| | Seat plane to centerline of sprocket hole = | 0.71" (18 mm) |
| Reel | Diameter = | 14" (363 mm) |

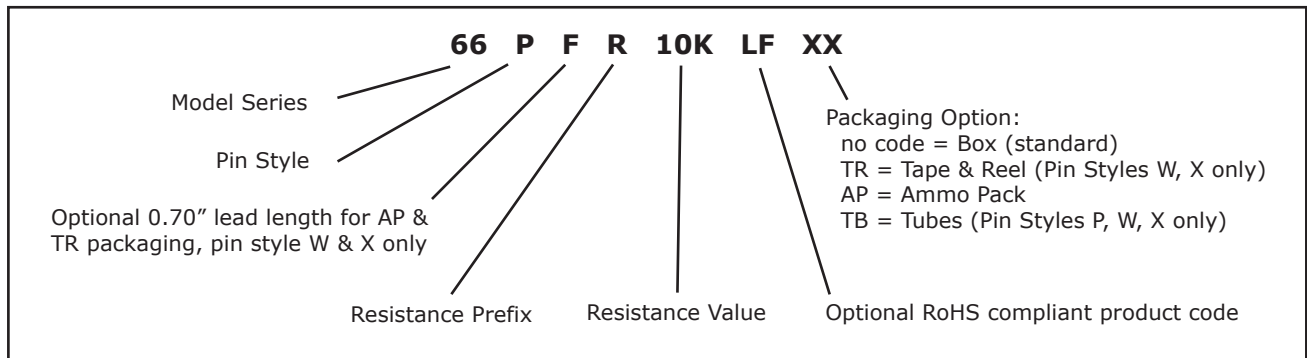
Option (AP code, available for 66X & 66W only): Ammo Pack. All units oriented with #1 pin to the right of the direction of feed.

| | | |
|------|-------------|---|
| Ammo | Tape Fold = | 12" (305 mm) |
| | Box = | 1.8" x 13" x 10" (46 mm x 330 mm x 254 mm) |

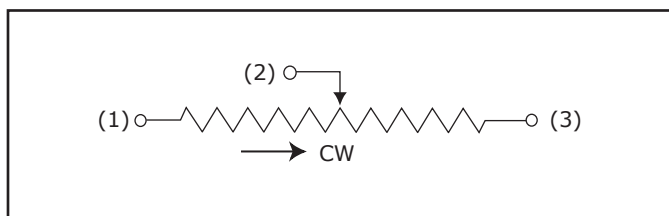
Option (TB code): Tubes. All units oriented with #1 pin to same side. Tube capacity = 50 units.

| | Pin Style | P | W | X |
|------------|-----------|-------|-------|-------|
| Dimensions | Width = | 0.57" | 0.28" | 0.28" |
| | Height = | 0.66" | 0.93" | 0.93" |
| | Length = | 20.9" | 20.6" | 24.4" |

ORDERING INFORMATION



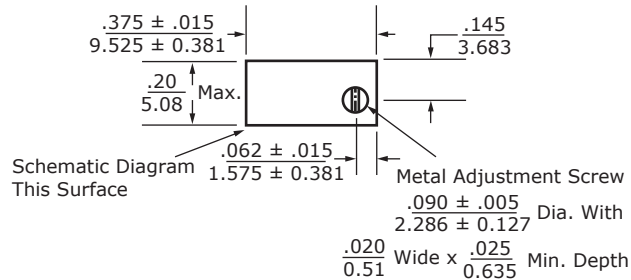
CIRCUIT DIAGRAM



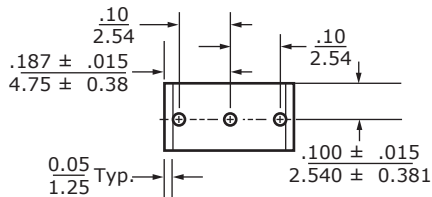
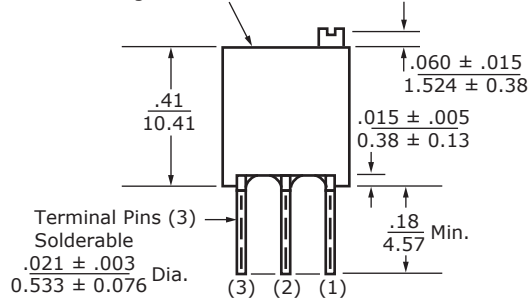
Model 66

TOP ADJUSTMENT

Model 66W

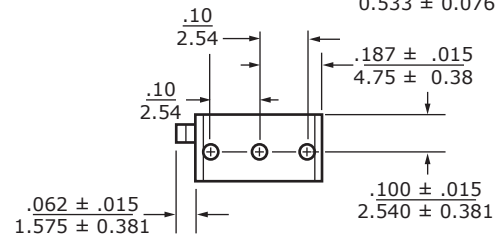
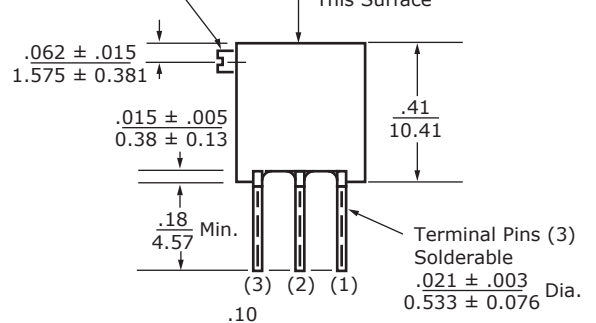
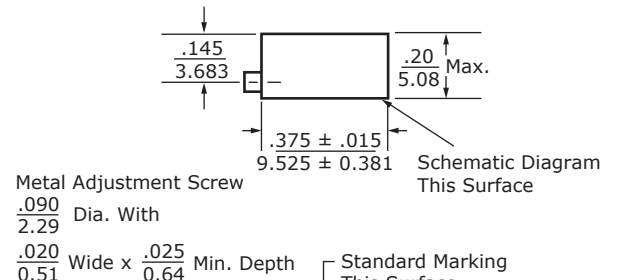


Standard Marking This Surface



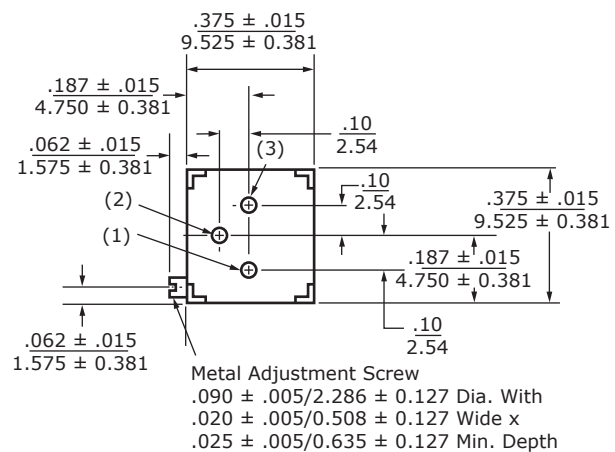
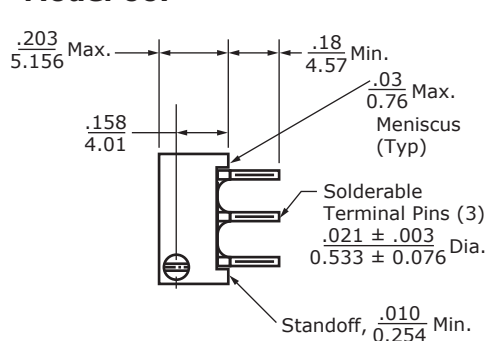
SIDE ADJUSTMENT

Model 66X



SIDE ADJUSTMENT

Model 66P



STANDARD RESISTANCE VALUES

| | | | | | | |
|----|-----|----|-----|------|------|------|
| 10 | 100 | 1K | 10K | 50K | 250K | 2Meg |
| 20 | 200 | 2K | 20K | 100K | 500K | |
| 50 | 500 | 5K | 25K | 200K | 1Meg | |

AMEYA360

Components Supply Platform

Authorized Distribution Brand :



Website :

Welcome to visit www.ameya360.com

Contact Us :

➤ Address :

401 Building No.5, JiuGe Business Center, Lane 2301, Yishan Rd
Minhang District, Shanghai , China

➤ Sales :

Direct +86 (21) 6401-6692

Email amall@ameya360.com

QQ 800077892

Skype [ameyasales1](#) [ameyasales2](#)

➤ Customer Service :

Email service@ameya360.com

➤ Partnership :

Tel +86 (21) 64016692-8333

Email mkt@ameya360.com