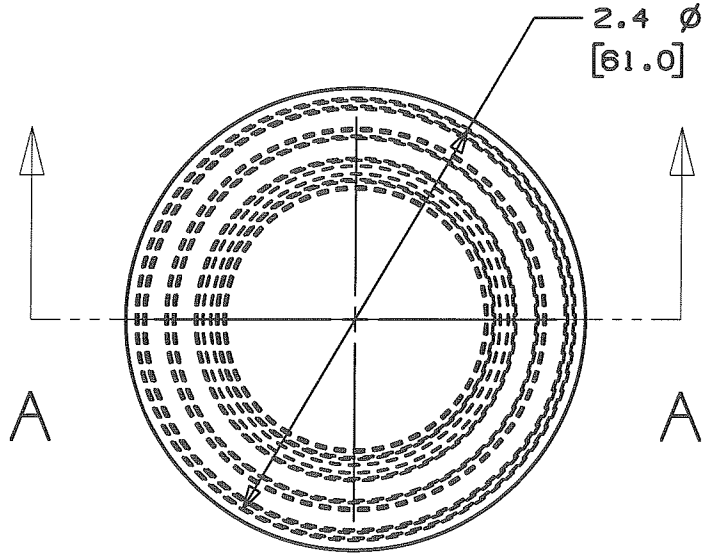


THIS COPY IS PROVIDED ON A RESTRICTED BASIS AND IS NOT TO BE USED IN ANY WAY DETRIMENTAL TO THE INTERESTS OF PANDUIT CORP.



NOTES:

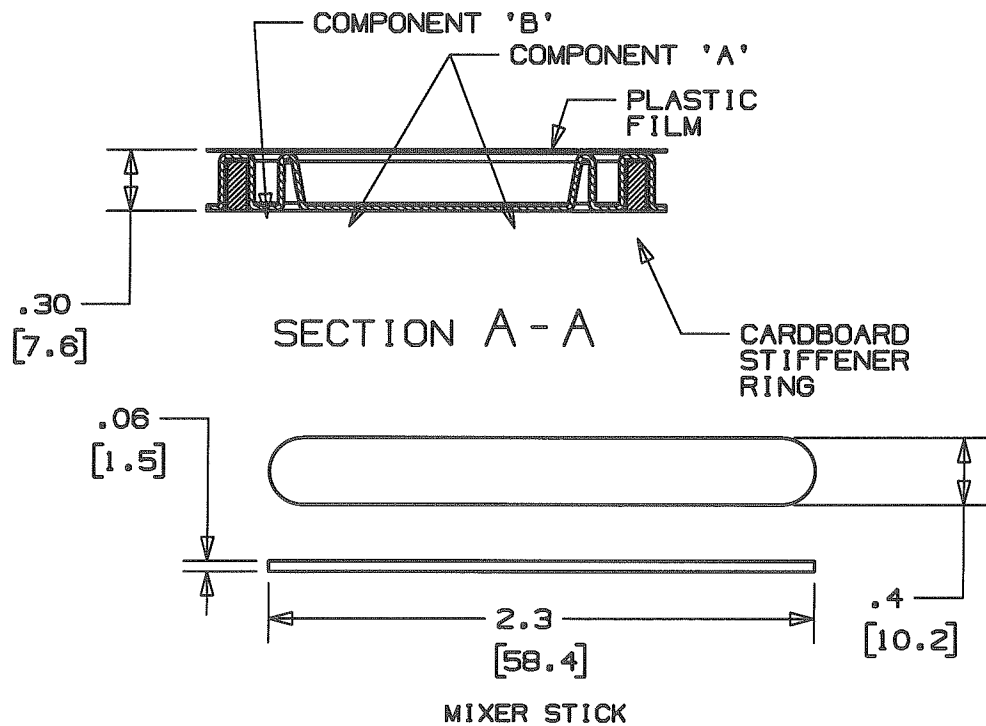
1. MATERIAL: PLASTIC MIXER CUP WITH
4.5 grams TOTAL OF TWO-PART
EPOXY ADHESIVE.
MIXER STICK: WOOD.
2. APPLICATION INSTRUCTIONS:
 - A. PEEL OFF PLASTIC FILM
 - B. PUSH DOWN CENTER OF CUP WITH MIXER STICK
SCRAPE THE TWO COMPONENTS INTO THE CENTER
AND MIX THOROUGHLY.
 - C. APPLY EPOXY TO BACKSIDE OF MOUNT WITH
MIXER STICK. PRESS MOUNT FIRMLY TO MOUNTING
SURFACE.
3. PERFORMANCE SPECIFICATIONS:
 - A. SHELF LIFE: 1 year
 - B. WORKING LIFE: 5 minutes @ 70°F (21°C)
 - C. SET TIME: 10 TO 15 minutes @ 70°F (21°C)
 - D. CURE TIME vs. SHEAR STRENGTH ON ALUMINUM

CURE TIME	SHEAR STRENGTH
1 hour	800 psi (56 kgs/cm ²)
3 hours	1000 psi (70 kgs/cm ²)
24 hours	1800 psi (127kgs/cm ²)

*WHEN TESTED PER TEST METHOD "ASTM D1002".

4. SEE CURRENT PRICE SHEET FOR PART NUMBER
SUFFIX DESIGNATION FOR PACKAGE SIZE.

NO WARRANTY, EXPRESSED OR IMPLIED, IS MADE BY PANDUIT WITH RESPECT TO ADHESIVE BOND PERFORMANCE. AMONG OTHER THINGS, THE CONDITIONS UNDER WHICH THE ADHESIVE MAY BE APPLIED AND/OR THE SURFACE TO WHICH IT MAY BE APPLIED ARE BEYOND PANDUIT'S CONTROL.



DIMENSIONS IN BRACKETS ARE METRIC [mm]

CAD FILENAME/LAYERS G00239LH_PB_EMA_00

PANDUIT CORP. TINLEY PARK, ILLINOIS

EPOXY CUP, EMA - __

UNLESS OTHERWISE SPECIFIED,
DIMENSIONAL TOLERANCES ARE:
(.X) ±0.05 (1.3) (.XXX) ±0.010 (0.25)
(.XX) ±0.02 (0.5) ANGLES ± 5°

UNLESS OTHERWISE SPECIFIED,
ALL DIMENSIONS ARE GIVEN
IN INCHES, THIRD ANGLE PROJECTION.

DRAWN BY JAD

MAT'L:

SCALE NONE

DATE 10/18/04

SEE NOTE 1

DRAWING NO.

G00239LH

CAD

A

SIZE

R	10/18/04	JAD	MJT	INITIAL RELEASE, REPLACES SS5084	G00239LH	R		
REV	DATE	BY	CHK	DESCRIPTION	ECN - R	CUST	SUP	

AMEYA360

Components Supply Platform

Authorized Distribution Brand :



Website :

Welcome to visit www.ameya360.com

Contact Us :

➤ Address :

401 Building No.5, JiuGe Business Center, Lane 2301, Yishan Rd
Minhang District, Shanghai , China

➤ Sales :

Direct +86 (21) 6401-6692

Email amall@ameya360.com

QQ 800077892

Skype ameyasales1 ameyasales2

➤ Customer Service :

Email service@ameya360.com

➤ Partnership :

Tel +86 (21) 64016692-8333

Email mkt@ameya360.com