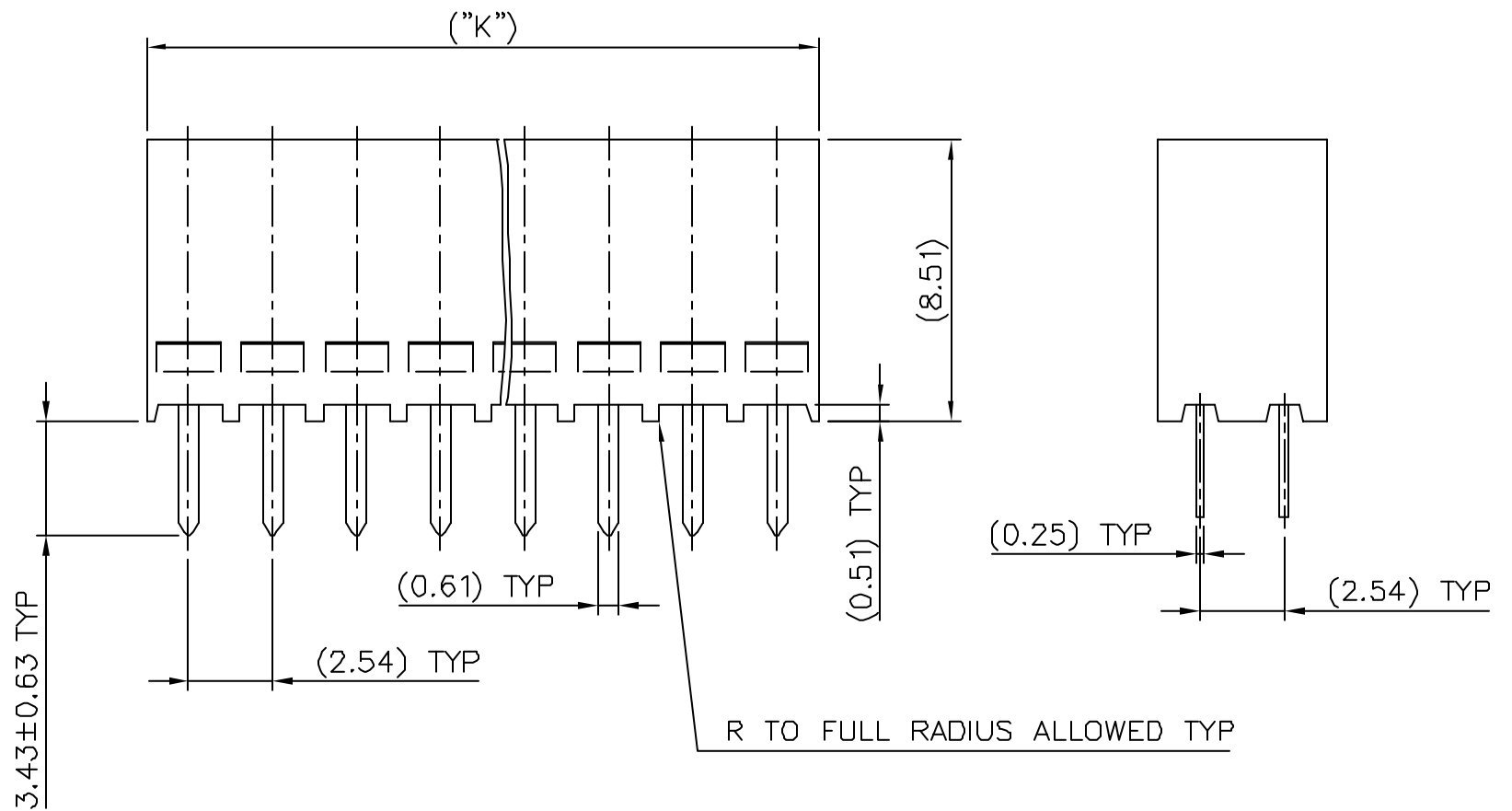
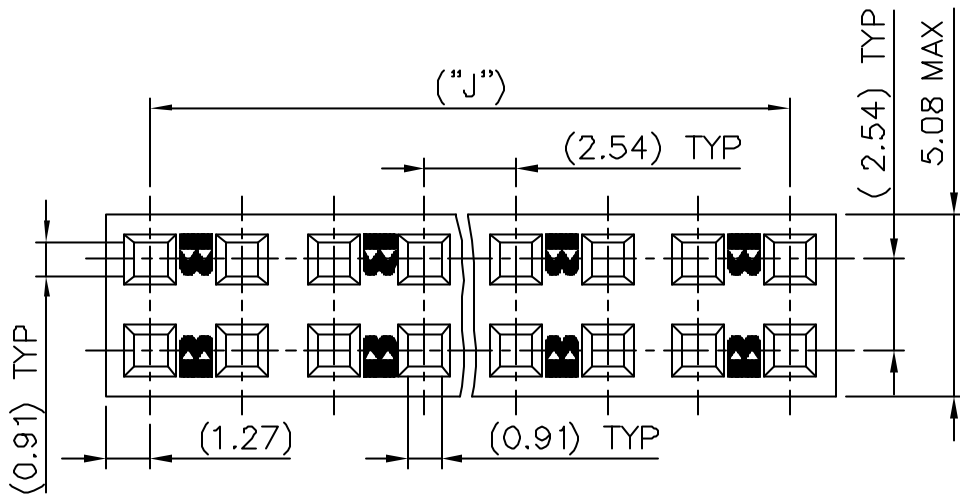


PRODUCT NUMBER	DIM "J"	DIM "K"
76314-XXX(LF)	SEE NEXT SHEET	

WHEN NEEDED, SUFFIX LETTER "LF" INDICATES THE PRODUCT IS RoHS COMPATIBLE, SEE NOTE 5

WHEN SUFFIX "LF" IS REQUIRED, 2µm MIN MATTE TIN OVER 1.27 MIN Ni IS SUPPLIED INSTEAD OF SnPb.



NOTES:

- 1 MATERIAL HOUSING: THERMOPLASTIC POLYESTER 30 % GLASS FILLED, COLOUR BLUE, FLAME RETARDANT PER UL 94-V0
- 2 MATERIAL BOX: BRASS ASTM B36 C26000-H02
- 3 MATERIAL SPRING: BERYLLIUM COPPER ASTM B 194 C 17200-TF 00
- 4 PLATING: SEE NEXT SHEET
- 5 - RoHS COMPATIBLE PRODUCT SPECIFICATIONS
  - a - PLATING:
    - "LF" MEANS THE PRODUCT IS LEAD-FREE, 2µm MINIMUM MATTE TIN OVER 1.27µm MINIMUM NICKEL UNDERPLATE.
  - b - MANUFACTURING PROCESS COMPATIBILITY
    - THE HOUSING WILL WITHSTAND EXPOSURE TO 260°C ±5°C SOLDER BATH TEMPERATURE FOR 5 SECONDS IN A WAVE SOLDER APPLICATION WITH A 1.6mm MIN THICK CIRCUIT BOARD.
  - c - LABELING:
    - MEETS PACKAGING SPECS AS PER GS-14-920
  - d - LEGAL STATEMENT: SEE GS-22-008

76314-1XXLF & -2XXLF ARE SIMILAR TO 76314-(1\*2)XX, THE SUFFIX 'LF' IS ADDED FOR LEAD FREE IDENTIFICATION. EXCEPT FOR 76314-9XX; 2µm MIN MATTE TIN OVER 1.27µm Ni IS SUPPLIED INSTEAD OF SnPb.

mat'l. code		surface		tolerance		projection		product family	
SEE NOTES		ISO 1302 ✓		ISO 406 ISO 1101		mm		BERGCON	
ltr	ecn no	dr	date	tolerances unless otherwise specified		mm		title	
C	F40751	PNZ	94.10.12	±0.13		mm		V. C. C.	
D	F60062	OMA	96.01.29	Linear		mm		DOUBLE ROW .100x.100	
E	V60456	OMA	96.03.11	±2'		scale 5:1		dwg no	
F	F05-0235	DLE	05.08.25	dr	O. MATHEVON	96.01.29	sheet 1 of 2		size
G	F06-0216	DLE	06.07.11	enr	AESCHBACHER	96.01.29	76314		A3
				chr	O. MATHEVON	96.01.29	type		CUSTOMER Drawing
				appd	M. AE	96.01.29			
sheet index	revision sheet	G	G						
	1	2							

PRODUCT NUMBER	NBR OF POS	DIM "J"	DIM "K"
76314-X02(LF)	2x02	(2.54)	(5.08)
76314-X03(LF)	2x03	(5.08)	(7.62)
76314-X04(LF)	2x04	(7.62)	(10.16)
76314-X05(LF)	2x05	(10.16)	(12.70)
76314-X06(LF)	2x06	(12.70)	(15.24)
76314-X07(LF)	2x07	(15.24)	(17.78)
76314-X08(LF)	2x08	(17.78)	(20.32)
76314-X09(LF)	2x09	(20.32)	(22.86)
76314-X10(LF)	2x10	(22.86)	(25.40)
76314-X11(LF)	2x11	(25.40)	(27.94)
76314-X12(LF)	2x12	(27.94)	(30.48)
76314-X13(LF)	2x13	(30.48)	(33.02)
76314-X14(LF)	2x14	(33.02)	(35.56)
76314-X15(LF)	2x15	(35.56)	(38.10)
76314-X16(LF)	2x16	(38.10)	(40.64)
76314-X17(LF)	2x17	(40.64)	(43.18)
76314-X18(LF)	2x18	(43.18)	(45.72)
76314-X19(LF)	2x19	(45.72)	(48.26)
76314-X20(LF)	2x20	(48.26)	(50.80)
76314-X21(LF)	2x21	(50.80)	(53.34)
76314-X22(LF)	2x22	(53.34)	(55.88)
76314-X23(LF)	2x23	(55.88)	(58.42)
76314-X24(LF)	2x24	(58.42)	(60.96)
76314-X25(LF)	2x25	(60.96)	(63.50)

PRODUCT NUMBER	NBR OF POS	DIM "J"	DIM "K"
76314-X26(LF)	2x26	(63.50)	(66.04)
76314-X27(LF)	2x27	(66.04)	(68.58)
76314-X28(LF)	2x28	(68.58)	(71.12)
76314-X29(LF)	2x29	(71.12)	(73.66)
76314-X30(LF)	2x30	(73.66)	(76.20)
76314-X31(LF)	2x31	(76.20)	(78.74)
76314-X32(LF)	2x32	(78.74)	(81.28)
76314-X33(LF)	2x33	(81.28)	(83.82)
76314-X34(LF)	2x34	(83.82)	(86.36)
76314-X35(LF)	2x35	(86.36)	(88.90)
76314-X36(LF)	2x36	(88.90)	(91.44)
76314-X37(LF)	2x37	(91.44)	(93.98)
76314-X38(LF)	2x38	(93.98)	(96.52)
76314-X39(LF)	2x39	(96.52)	(99.06)
76314-X40(LF)	2x40	(99.06)	(101.60)
76314-X41(LF)	2x41	(101.60)	(104.14)
76314-X42(LF)	2x42	(104.14)	(106.68)
76314-X43(LF)	2x43	(106.68)	(109.22)
76314-X44(LF)	2x44	(109.22)	(111.76)
76314-X45(LF)	2x45	(111.76)	(114.30)
76314-X46(LF)	2x46	(114.30)	(116.84)
76314-X47(LF)	2x47	(116.84)	(119.38)
76314-X48(LF)	2x48	(119.38)	(121.92)
76314-X49(LF)	2x49	(121.92)	(124.46)
76314-X50(LF)	2x50	(124.46)	(127.00)

9	5 μm SnPb	1.25 μm SnPb	1.3 μm Ni
2	1.0 μm Au	0.2 μm Au	1.3 μm Ni
1	0.76 μm Au	0.05 μm Au	1.3 μm Ni
PLATING CODE X	PLATING THICKNESS CONTACT AREA	PLATING THICKNESS REMAINDER	THICKNESS UNDER PLATING

mat'l. code SEE TABLE				surface ISO 1302 <input checked="" type="checkbox"/>	tolerance ISO 406 ISO 101 <input checked="" type="checkbox"/>	projection	product family BERGCON
ltr	ecn no	dr	date	tolerances unless otherwise specified			title V. C. C. DOUBLE ROW .100x.100
C	F40751	PNZ	94.10.12	angles	Linear		
D	F60062	OMA	96.01.30			scale N/A	dwg no 76314 sheet 2 of size A3
E	V60456	OMA	96.03.11				
F	F05.0235	DLE	05.08.25	dr	O. MATHEVON 96.01.30		type CUSTOMER Drawing
G	F06-0216	DLE	06.07.11	engr	AESCHBACHER 96.01.30		
				chr	O. MATHEVON 96.01.30		
				appd	M. AE 96.01.30		
sheet index	revision sheet						



Copyright FCJ

## Authorized Distribution Brand :



## Website :

Welcome to visit [www.ameya360.com](http://www.ameya360.com)

## Contact Us :

### ➤ Address :

401 Building No.5, JiuGe Business Center, Lane 2301, Yishan Rd  
Minhang District, Shanghai , China

### ➤ Sales :

Direct +86 (21) 6401-6692

Email [amall@ameya360.com](mailto:amall@ameya360.com)

QQ 800077892

Skype ameyasales1 ameyasales2

### ➤ Customer Service :

Email [service@ameya360.com](mailto:service@ameya360.com)

### ➤ Partnership :

Tel +86 (21) 64016692-8333

Email [mkt@ameya360.com](mailto:mkt@ameya360.com)