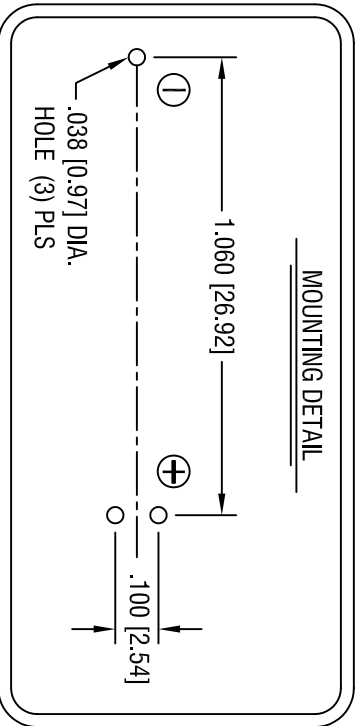
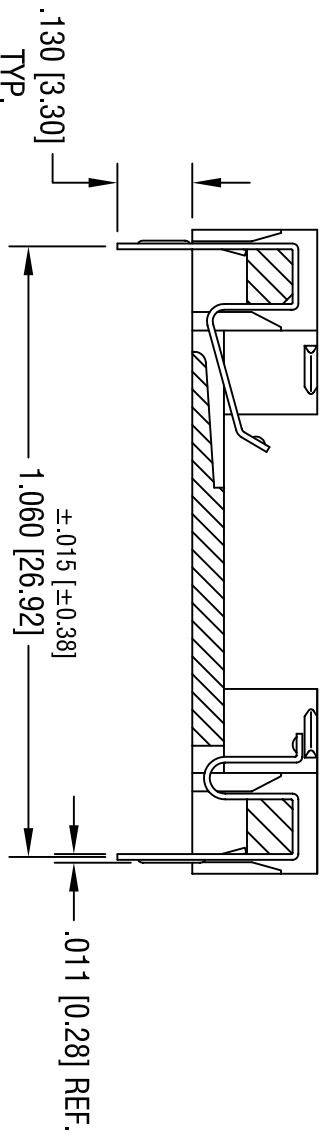
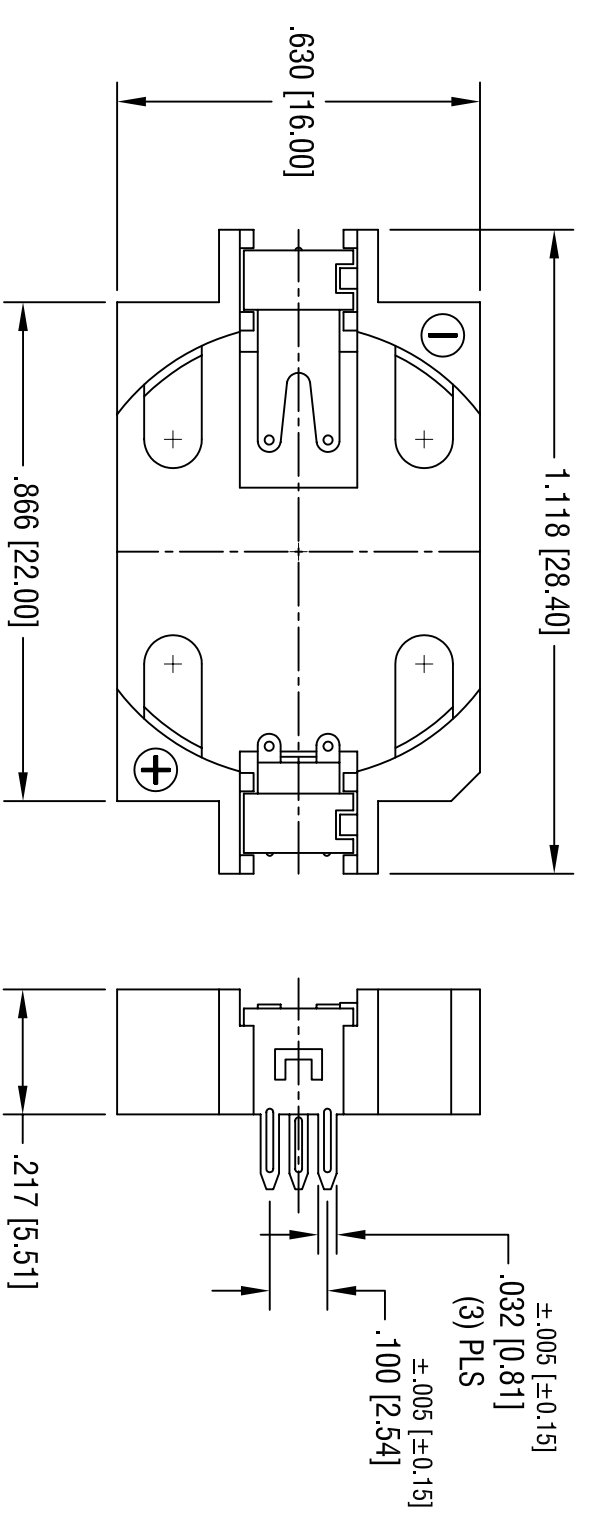


DATE	DESCRIPTION	REV.
9.23.05	CHANGE AS PER ECN 05-070	B



NOTES:

- 1. BASE:
MATE'L - GLASS FILLED LCP UL 94V-0
- 2. CONTACTS:
MATE'L - .006 [0.15] THK PHOSPHOR BRONZE
FINISH - TIN OVER NICKEL PLATE

KEYSTONE ELECTRONICS CORP.			
ASTORIA, N.Y. 11105-2017			
PART NAME		2032 BATTERY HOLDER, PC	
MATERIAL		AS NOTED	
FINISH	AS NOTED	DRN BY	C.W.
TOLERANCES		CODE	DWG NO.
DECIMAL	± .010 [± 0.25]	C	1059
ANGULAR	± 1°		
UNLESS OTHERWISE SPECIFIED			
SCALE		DATE	
3X		11.29.99	

THIS DOCUMENT IS THE PROPERTY OF KEYSTONE ELECTRONICS CORP. AND SHALL NOT BE REPRODUCED, DISTRIBUTED OR USED AS A BASIS FOR MANUFACTURE WITHOUT PRIOR WRITTEN PERMISSION FROM KEYSTONE ELECTRONICS CORP.

AMEYA360

Components Supply Platform

Authorized Distribution Brand :



Website :

Welcome to visit www.ameya360.com

Contact Us :

➤ Address :

401 Building No.5, JiuGe Business Center, Lane 2301, Yishan Rd
Minhang District, Shanghai , China

➤ Sales :

Direct +86 (21) 6401-6692

Email amall@ameya360.com

QQ 800077892

Skype [ameyasales1](#) [ameyasales2](#)

➤ Customer Service :

Email service@ameya360.com

➤ Partnership :

Tel +86 (21) 64016692-8333

Email mkt@ameya360.com