

## 85 Uncompensated



- 316L SS Pressure Sensor
- Small Profile
- 0 - 100mV Output
- Absolute and Gage



### DESCRIPTION

The 85 vacuum uncompensated pressure sensor is a small profile, media compatible, piezoresistive silicon pressure sensor packaged in a 316L stainless steel housing. The 85 vacuum uncompensated pressure sensor is offered in a weldable package or with a variety of threaded fittings such as 1/4 and 1/8NPT, 1/4BSP as well as other custom process fittings.

The 85 uncompensated is designed for OEM applications where compatibility with corrosive media is required. The sensing package utilizes silicon oil to transfer pressure from the 316L stainless steel diaphragm to the sensing element.

Please refer to the 85 compensated and constant voltage datasheets for more information on different features of the 85.

### FEATURES

- Weldable and Threaded Process Fittings
- -40°C to +125°C Operating Temperature
- ±0.1% Pressure Non Linearity
- Solid State Reliability

### APPLICATIONS

- Medical Instruments
- Process Control
- Fresh & Waste Water Measurements
- Partial Vacuum Gas Measurement
- Pressure Transmitters
- Tank Level Systems (RV & Industrial)

### STANDARD RANGES

Range	psia	psig
0 to 5	•	•
0 to 15	•	•
0 to 30	•	•
0 to 50	•	•
0 to 100	•	•
0 to 300	•	•
0 to 500	•	•

# 85 Uncompensated

## PERFORMANCE SPECIFICATIONS

Supply Current: 1.5mA

Ambient Temperature: 25°C (unless otherwise specified)

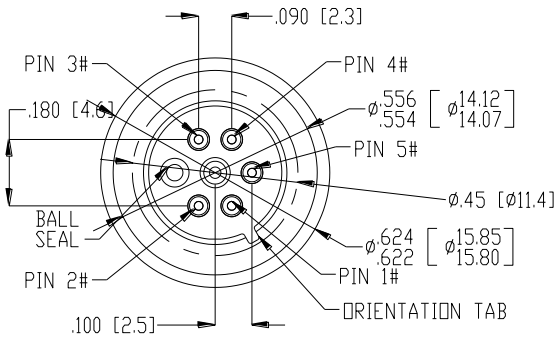
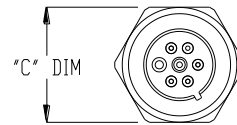
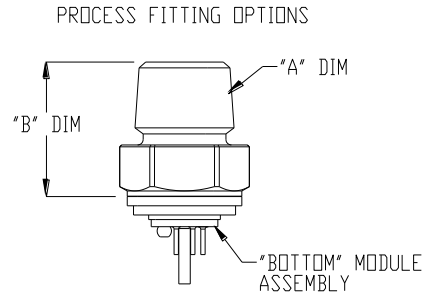
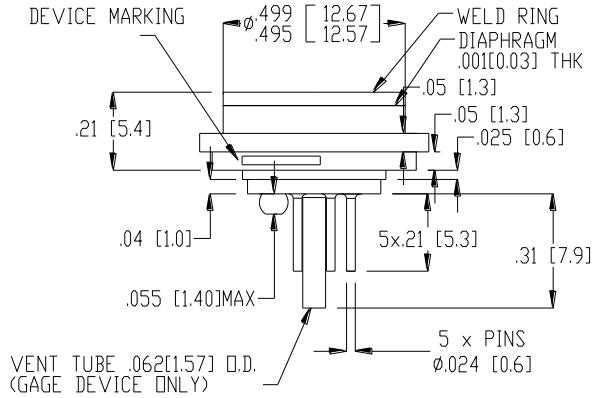
PARAMETERS	MIN	TYP	MAX	UNITS	NOTES
Sensitivity	12		27	mV/V @Span	
Zero Pressure Output	-6.0		8.0	mV/V	1
Pressure Non Linearity	-0.1		0.1	%Span	2
Pressure Hysteresis	-0.05		0.05	%Span	3
Repeatability		±0.02		%Span	
Bridge Resistance	3.8K		5.8K	Ω	4
Thermal Hysteresis – Span	-0.25	±0.05	0.25	%Span	5
Thermal Hysteresis – Offset	-0.25	±0.05	0.25	%Span	5
Temperature Coefficient – Resistance	1.30K	1.51K	1.75K	PPM/°C	5
Temperature Coefficient – Span	-1.45K	-1.25K	-1.0K	PPM/°C	5, 6
Temperature Coefficient – Offset	-30		30	μV/V/°C	5
Long Term Stability – Span		±0.10		%Span/Year	
Long Term Stability – Offset		±0.10		%Span/Year	
Supply Current	0.5	1.5	2.0	mA	
Supply Voltage		5	9.5	V	
Output Noise (10Hz to 1kHz)		1.0		uV p-p	
Response Time (10% to 90%)			0.1	Ms	
Insulation Resistance (50Vdc)	50M			Ω	7
Pressure Overload			3X	Rated	
Pressure Burst			4X	Rated	8
Operating Temperature	-40		+125	°C	
Storage Temperature	-55		+125	°C	
Media – Pressure Port	Liquids and Gases compatible with 316L Stainless Steel				
Media – Reference Port	Compatible with Silicon, Pyrex, Gold, Fluorosilicone RTV and 316/316L Stainless Steel				

### Notes

1. Measured at vacuum for absolute (A) and at ambient for gage (G).
2. Best fit straight line. Non linearity is ±0.2% max for 5psiG devices.
3. Pressure hysteresis is min -0.1 to max 0.1 for 5psi absolute.
4. Bridge resistance is measured with both –E pins shorted together.
5. TC values are first order coefficients to a quadratic fit over a temperature range of -20 to +85°C (0 to +50°C for 5psi).
6. 5psiA is -1.7K ~ -1.0K ppm/°C.
7. Between case and sending element.
8. The maximum pressure that can be applied to a transducer without rupture of either the sensing element or transducer.

# 85 Uncompensated

## DIMENSIONS



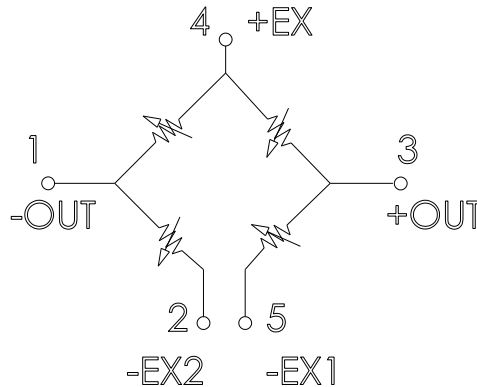
SENSOR PINDOUT	
PIN NO.	FUNCTION
1	-OUT
2	-EX2
3	+OUT
4	+EX
5	-EX1

FITTING DIMENSIONS				
FITTING TYPE	MEAS PART NO.	"A" DIM	"B" DIM	"C" DIM
1	IC-7050	1/4-18 NPT	.99[25.1]	7/8[22.2] HEX
2	IC-7049	1/8-27 NPT	.96[24.4]	7/8[22.2] HEX
3	IC-7048	7/16-20 UNF	.81[20.6]	7/8[22.2] HEX
4	IC-6754	1/4-18 NPT	.73[18.5]	5/8[15.9] HEX
5	IC-5010	1/4-19 BSP	.76[19.3]	3/4[19.0] HEX
8	IC-6800	1/8-27 NPT	.60[15.2]	5/8[15.9] HEX
9	IC-7124	1/4-19 BSP	.94[23.9]	7/8[22.2] HEX

NOTE : FTG TYPE '4' ASSEMBLY SHOWN  
ALL DIMS ARE FOR REFERENCE

DIMENSIONS ARE IN INCHES [mm]

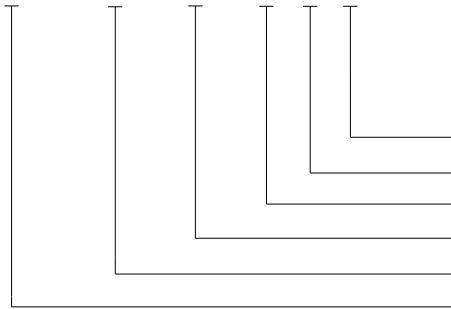
## CONNECTIONS



## 85 Uncompensated

### ORDERING INFORMATION

85 - 005 G - 0 U T



Vent (T = Tube, Blank = No Tube)  
 Electrical (U = Open Bridge, Uncompensated)  
 Fitting Type (0 = Weldable, See Fittings)  
 Type (A = Absolute, G = Gage)  
 Pressure Range  
 Model

#### NORTH AMERICA

Measurement Specialties  
 45738 Northport Loop West  
 Fremont, CA 94538  
 Tel: 1-800-767-1888  
 Fax: 1-510-498-1578  
 Sales: [pfg.cs.amer@meas-spec.com](mailto:pfg.cs.amer@meas-spec.com)

#### EUROPE

Measurement Specialties  
 (Europe), Ltd.  
 26 Rue des Dames  
 78340 Les Clayes-sous-Bois, France  
 Tel: +33 (0) 130 79 33 00  
 Fax: +33 (0) 134 81 03 59  
 Sales: [pfg.cs.emea@meas-spec.com](mailto:pfg.cs.emea@meas-spec.com)

#### ASIA

Measurement Specialties  
 (China), Ltd.  
 No. 26 Langshan Road  
 Shenzhen High-Tech Park (North)  
 Nanshan District, Shenzhen 518057  
 China  
 Tel: +86 755 3330 5088  
 Fax: +86 755 3330 5099  
 Sales: [pfg.cs.asia@meas-spec.com](mailto:pfg.cs.asia@meas-spec.com)

The information in this sheet has been carefully reviewed and is believed to be accurate; however, no responsibility is assumed for inaccuracies. Furthermore, this information does not convey to the purchaser of such devices any license under the patent rights to the manufacturer. Measurement Specialties, Inc. reserves the right to make changes without further notice to any product herein. Measurement Specialties, Inc. makes no warranty, representation or guarantee regarding the suitability of its product for any particular purpose, nor does Measurement Specialties, Inc. assume any liability arising out of the application or use of any product or circuit and specifically disclaims any and all liability, including without limitation consequential or incidental damages. Typical parameters can and do vary in different applications. All operating parameters must be validated for each customer application by customer's technical experts. Measurement Specialties, Inc. does not convey any license under its patent rights nor the rights of others.

# AMEYA360

## Components Supply Platform

Authorized Distribution Brand :



Website :

Welcome to visit [www.ameya360.com](http://www.ameya360.com)

Contact Us :

➤ Address :

401 Building No.5, JiuGe Business Center, Lane 2301, Yishan Rd  
Minhang District, Shanghai , China

➤ Sales :

Direct +86 (21) 6401-6692

Email [amall@ameya360.com](mailto:amall@ameya360.com)

QQ 800077892

Skype [ameyasales1](#) [ameyasales2](#)

➤ Customer Service :

Email [service@ameya360.com](mailto:service@ameya360.com)

➤ Partnership :

Tel +86 (21) 64016692-8333

Email [mkt@ameya360.com](mailto:mkt@ameya360.com)