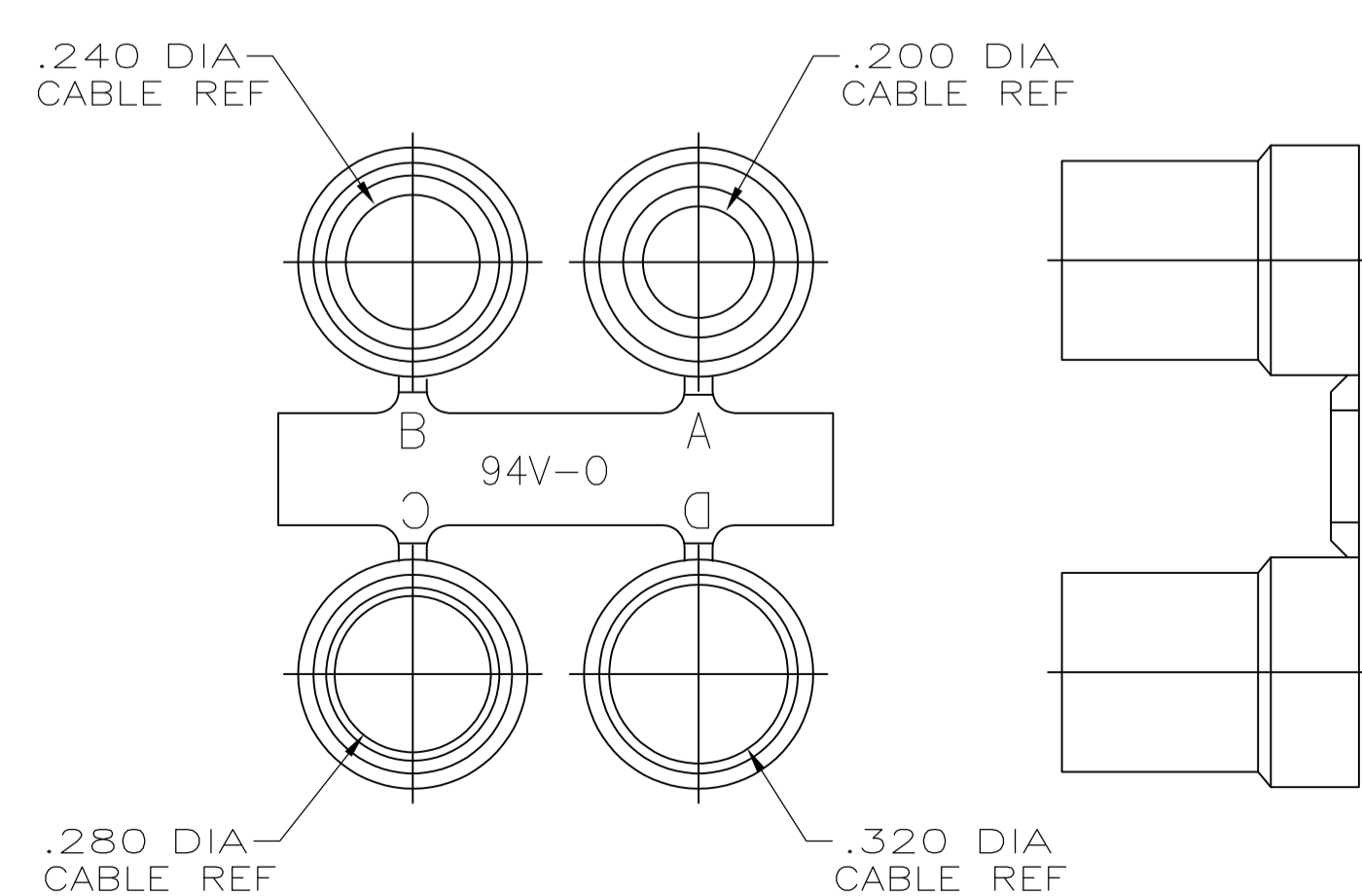
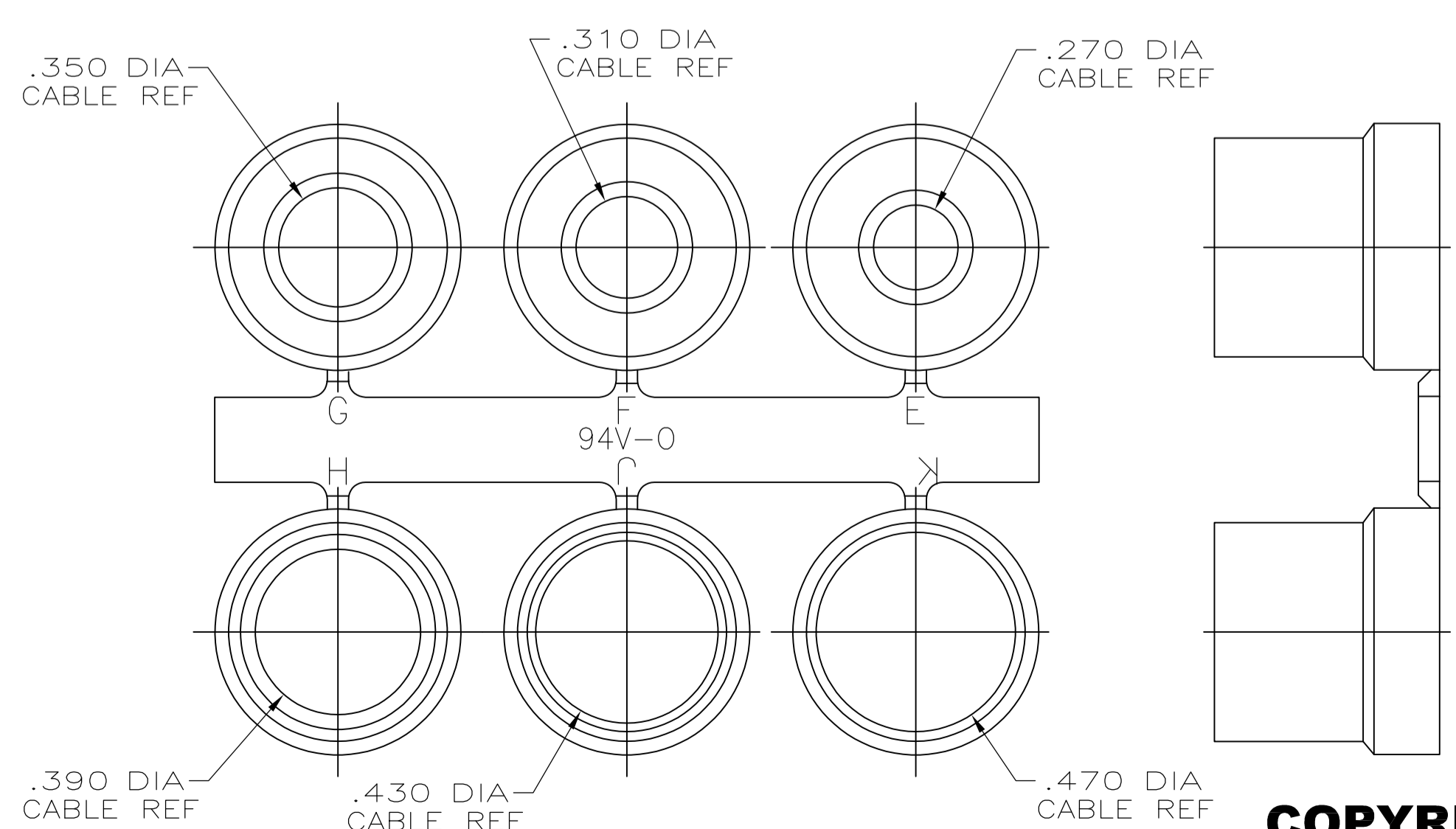


- PARTS PACKAGED UNASSEMBLED AS A UNIT KIT.
- CABLE CLAMP HALVES: BLACK ABS MOLDING COMPOUND, FILLISTER HEAD SCREWS, HEX NUTS & MOUNTING SCREWS: STEEL PER ASTM A108, GROMMETS: FLEXIBLE PVC, UL 94V-0 RATED, COLOR: BLACK.
- CABLE CLAMP HALVES: NICKEL OVER COPPER, FILLISTER HEAD SCREWS, HEX NUTS & MOUNTING SCREWS: ZINC PLATED .000200-.000400 THICK, CLEAR CHROMATE COATING.
- SIZE 3 CONFIGURATION SHOWN. NUMBER AND SIZE OF SLOTS IN THIS AREA VARIES BY CABLE CLAMP SIZE.



GROMMET ASSORTMENT FOR SIZES 1 & 2 ONLY



GROMMET ASSORTMENT FOR SIZES 3, 4 & 5 ONLY

.900	.730	2.644	1.920	2.406	5	5748677-5
.800	.620	2.738	1.920	2.500	4	5748677-4
.680	.640	2.090	1.920	1.852	3	5748677-3
.620	.620	1.545	1.910	1.312	2	5748677-2
.570	.630	1.215	1.910	.984	1	5748677-1
E	D	C	B	A	SIZE	PART NO

THIS DRAWING IS A CONTROLLED DOCUMENT.

DIMENSIONS: INCHES	TOLERANCES UNLESS OTHERWISE SPECIFIED:	DIN D. HENNY 8-18-05	APPROVED M. WALMSLEY 8-18-05	NAME KIT, CABLE CLAMP, 180 DEG EXIT, W/GROMMETS AMPLIMITE SERIES, PLATED PLASTIC
0. PLC ± -	1. PLC ± -	CHK C. ROHDE 8-18-05	PRODUCT SPEC	RESTRICTED TO
2. PLC ± -	3. PLC ± .005	APPROVED M. WALMSLEY 8-18-05	APPLICATION SPEC	SIZE A1
4. PLC ± -	ANGLES ± -	WEIGHT	SCALE 3:1	SHEET 1 OF 1
MATERIAL	FINISH	CUSTOMER DRAWING	SCALE 3:1	SHEET 1 OF 1

TE Connectivity

5748677

COPYRIGHT 2005
TE CONNECTIVITY CORP
ALL RIGHTS RESERVED

AMEYA360

Components Supply Platform

Authorized Distribution Brand :



Website :

Welcome to visit www.ameya360.com

Contact Us :

> Address :

401 Building No.5, JiuGe Business Center, Lane 2301, Yishan Rd
Minhang District, Shanghai , China

> Sales :

Direct +86 (21) 6401-6692

Email amall@ameya360.com

QQ 800077892

Skype ameyasales1 ameyasales2

> Customer Service :

Email service@ameya360.com

> Partnership :

Tel +86 (21) 64016692-8333

Email mkt@ameya360.com