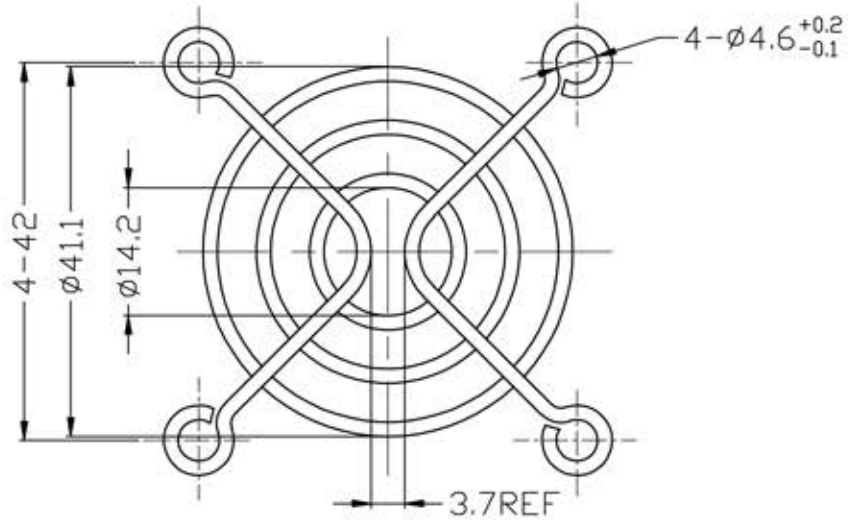


Part No. G50-3

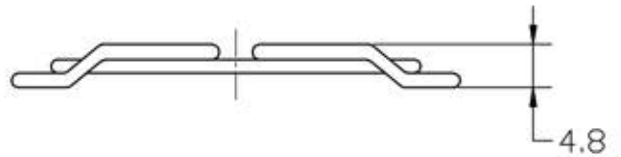


Fan Guard for
50mm and 52mm fans



NOTES:

1. MATERIAL: C1008 BRIGHT BASIC WIRE
2. FINISH: BRIGHT NICKEL CHROME
3. RINGS: 1.6MM DIA / RIBS: 1.6MM DIA
4. WELDS TO WITHSTAND 88LBS PULL FORCE
5. SPACING BETWEEN RINGS: 4.33MM
6. GENERAL TOLERANCE UNLESS NOTED +/-0.5MM
7. PART MEETS 6.35MM PLUG GAUGE TEST
8. UNIT: MM



Part Number	Description
G50-3	50/52mm fan guard, metal
G50-3/PK	10-Pack G50-3, Boxed

AMEYA360

Components Supply Platform

Authorized Distribution Brand :



Website :

Welcome to visit www.ameya360.com

Contact Us :

➤ Address :

401 Building No.5, JiuGe Business Center, Lane 2301, Yishan Rd
Minhang District, Shanghai , China

➤ Sales :

Direct +86 (21) 6401-6692

Email amall@ameya360.com

QQ 800077892

Skype [ameyasales1](#) [ameyasales2](#)

➤ Customer Service :

Email service@ameya360.com

➤ Partnership :

Tel +86 (21) 64016692-8333

Email mkt@ameya360.com