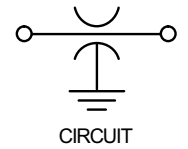
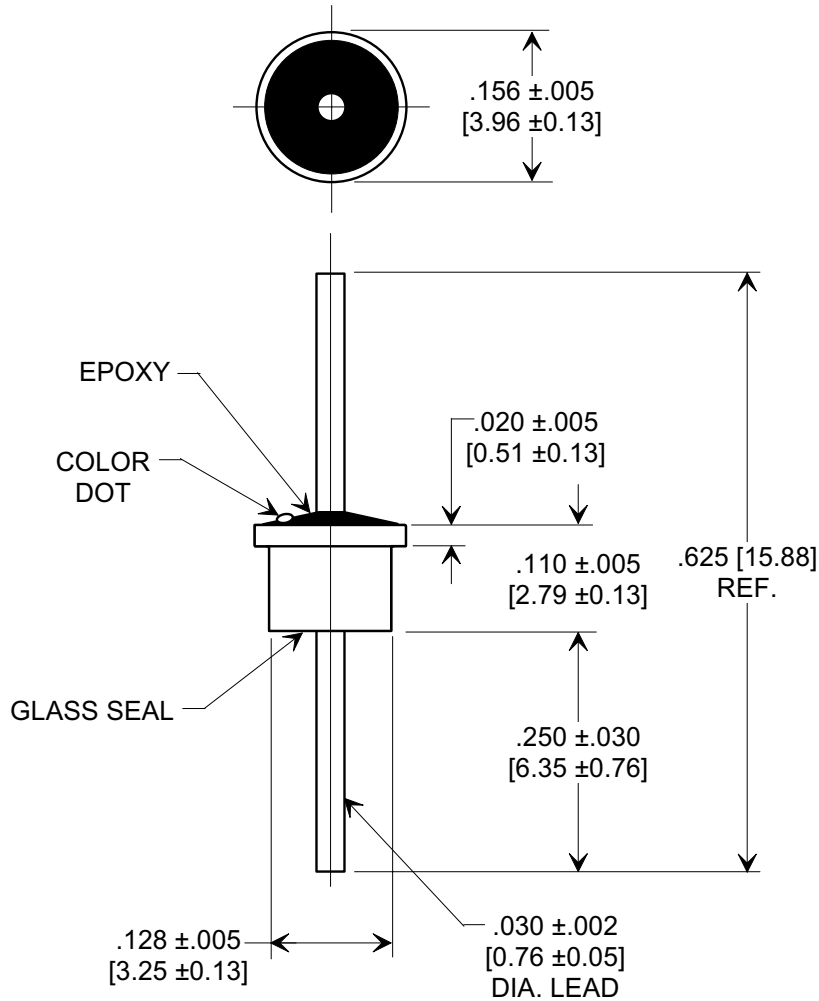


**MARKETING SALES DRAWING**  
 DIMENSIONS IN INCHES - DO NOT SCALE THIS DRAWING  
 DIMENSIONS IN METRIC - [ ]

Electrical Testing  
 per Tusonix standard  
 test plans and Mil-Std-202  
 Test Methods.



**NOTES:**

1. Operating temperature range:  $-55^{\circ}\text{C}$  to  $+125^{\circ}\text{C}$ .
2. Gold plated case and lead.
3. Epoxy sealed on opposite end from glass seal.
4. Max. recommended soldering temperature:  $260^{\circ}\text{C}$ .  
See installation recommendations.
5. Recommended mounting hole:  $.135$  dia.
6. Solder preform available for mounting.
7. Tusonix Standard part number: 4300-005.  
Tusonix RoHS compliant part number: 4300-005 LF.  
Customer must specify Standard or RoHS part number when ordering.
8. RoHS compliant part marked with additional dark green dot for identification.

Cx (pF)	TOL.	DC WORKING VOLTAGE		I.R. MIN. @ 100 (VDC.)	DWV (VDC)	DC CURRENT (AMPS)	MIN. NO LOAD INSERTION LOSS (dB) @ 25° C PER MIL-STD-220					COLOR CODE
		85°C	125°C				1 MHz	10 MHz	100 MHz	1 GHz	10 GHz	
10,000	GMV	70	50	10 G	150	5	4	20	35	50	60	BLACK

X-2015 Rev-0

<b>REVISION RECORD</b>	Original Release	<b>0</b>	REDRAWN & REVISED ADDED 008, 009 & 010. E.C. 05-30-90  VARS 005, 006, 007 & 1MHz COLUMN ADDED. L.I.E. 11-07-90  VARS 080 WAS 010 & VAR 013 ADDED. L.I.E. 06-10-91  RDN TO COMP FMP. STYLE DWG SPLIT FOR EACH VAR. S.M. 10-02-02  20021001-7-04 ADDED NOTES 7 & 8. S.M. 05-23-05  20050511-2-11	--TOLERANCES-- Unless Otherwise Specified		Title <b>SOLDER MOUNT EMI FILTER</b>		
		<b>10</b>		DECIMAL ± NOTED				
		<b>11</b>		ANGLES ±	Drawn	S.M. 10-02-02	Scale	5 X
		<b>12</b>			Approved	T.C. 10-02-02		
	<b>13</b>		<b>TUSONIX</b>	A		<b>4300-005</b>		
	<b>14</b>		TUCSON, ARIZONA					

# AMEYA360

## Components Supply Platform

Authorized Distribution Brand :



Website :

Welcome to visit [www.ameya360.com](http://www.ameya360.com)

Contact Us :

➤ Address :

401 Building No.5, JiuGe Business Center, Lane 2301, Yishan Rd  
Minhang District, Shanghai , China

➤ Sales :

Direct +86 (21) 6401-6692

Email [amall@ameya360.com](mailto:amall@ameya360.com)

QQ 800077892

Skype [ameyasales1](#) [ameyasales2](#)

➤ Customer Service :

Email [service@ameya360.com](mailto:service@ameya360.com)

➤ Partnership :

Tel +86 (21) 64016692-8333

Email [mkt@ameya360.com](mailto:mkt@ameya360.com)