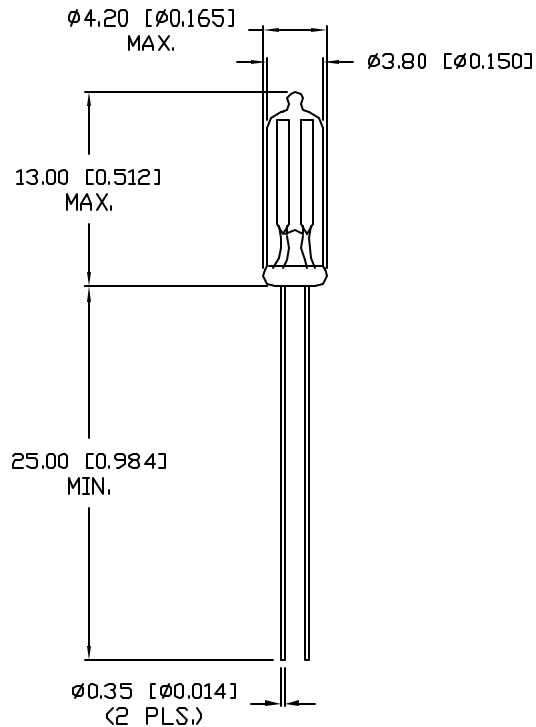


UNCONTROLLED DOCUMENT

PART NUMBER  
GT-RLSA200SS

REV.  
A

| REV. | E.C.N. NUMBER AND REVISION COMMENTS | DATE     |
|------|-------------------------------------|----------|
| A    | E.C.N. #11148.                      | 12.18.06 |



ELECTRICAL SPECIFICATIONS

| PARAMETER                    | VALUE                     | TEST CONDITION |
|------------------------------|---------------------------|----------------|
| D.C. FIRING VOLTAGE:         | 200V $\pm$ 15% D.C.       | (dv/dt 100V/5) |
| IMPULSE CURRENT:             | 1kA MAX.                  | (8/20 $\mu$ S) |
| IMPULSE SURGE LIFE:          | 1000 TIMES MIN.           | (8/20 $\mu$ S) |
| INSULATION RESISTANCE        | 10 <sup>10</sup> $\Omega$ | (50VDC MIN.)   |
| INTER-ELECTRODE CAPACITANCE: | 1.0 pF MAX.               |                |

ENVIRONMENTAL SPECIFICATIONS PER MIL-STD 202

| TEST                 | METHODE | CONDITION | RATING           |
|----------------------|---------|-----------|------------------|
| THERMAL SHOCK        | 107     | B         | -65 TO +125 °C   |
| HUMIDITY:            | 103B    | B         | 95% Re. HUMIDITY |
| TEMPERATURE CYCLING: | 102A    | C         | -65 TO +125 °C   |
| OPERATING TEMP.:     |         |           | -40°C TO +100°C  |

NOTE:

WHEN THE NEON LAMP IS ENERGIZED IN DARKNESS, THE STARTING VOLTAGE CAN RISE, DELAY THE LIGHT SURGE, OR NOT DISCHARGE. THEREFORE, THE BRIGHTNESS SHALL BE KEPT HIGHER THAN 10 LUX.



UNCONTROLLED DOCUMENT

\*UNLESS OTHERWISE SPECIFIED TOLERANCES PER DECIMAL PRECISION ARE: X=±1 (±0.039), X.X=±0.5 (±0.020), X.XX=±0.25 (±0.010), X.XXX=±0.127 (±0.005). LEAD SIZE=±0.05 (±0.002), LEAD LENGTH=±0.75 (±0.030), MIN=+DECIMAL PRECISION MAX.=+0.00 -DECIMAL PRECISION

|           |                             |
|-----------|-----------------------------|
| REV.<br>A | PART NUMBER<br>GT-RLSA200SS |
|-----------|-----------------------------|

**CONFIDENTIAL INFORMATION**  
THE INFORMATION CONTAINED IN THIS DOCUMENT IS THE PROPERTY OF LUMEX INC. EXCEPT AS SPECIFICALLY AUTHORIZED IN WRITING BY LUMEX INC., THE HOLDER OF THIS DOCUMENT SHALL KEEP ALL INFORMATION CONTAINED HEREIN CONFIDENTIAL AND SHALL PROTECT SAME IN WHOLE OR IN PART FROM DISCLOSURE AND DISSEMINATION TO ALL THIRD PARTIES.



290 E. HELEN ROAD  
PALATINE, IL 60067-6976  
PHONE: +1.847.359.2790  
US WEB: www.lumex.com  
TW WEB: www.lumex.com.tw

LIGHT DUTY RADIAL LEADED ARRESTOR.

**RELIABILITY NOTE**  
OUR MANY YEARS OF EXPERIENCE DATA ACCUMULATION INDICATE THAT SOLDER HEAT IS A MAJOR CAUSE OF EARLY AND FUTURE FAILURE. PLEASE PAY ATTENTION TO YOUR SOLDERING PROCESS.

|                 |             |              |                |
|-----------------|-------------|--------------|----------------|
| DRAWN BY:<br>JC | CHECKED BY: | APPROVED BY: | DATE: 12.18.06 |
|                 |             |              | PAGE: 1 OF 1   |
|                 |             |              | SCALE: N/A     |

# AMEYA360

Components Supply Platform

Authorized Distribution Brand :



Website :

Welcome to visit [www.ameya360.com](http://www.ameya360.com)

Contact Us :

➤ Address :

401 Building No.5, JiuGe Business Center, Lane 2301, Yishan Rd  
Minhang District, Shanghai , China

➤ Sales :

Direct +86 (21) 6401-6692

Email [amall@ameya360.com](mailto:amall@ameya360.com)

QQ 800077892

Skype [ameyasales1](#) [ameyasales2](#)

➤ Customer Service :

Email [service@ameya360.com](mailto:service@ameya360.com)

➤ Partnership :

Tel +86 (21) 64016692-8333

Email [mkt@ameya360.com](mailto:mkt@ameya360.com)