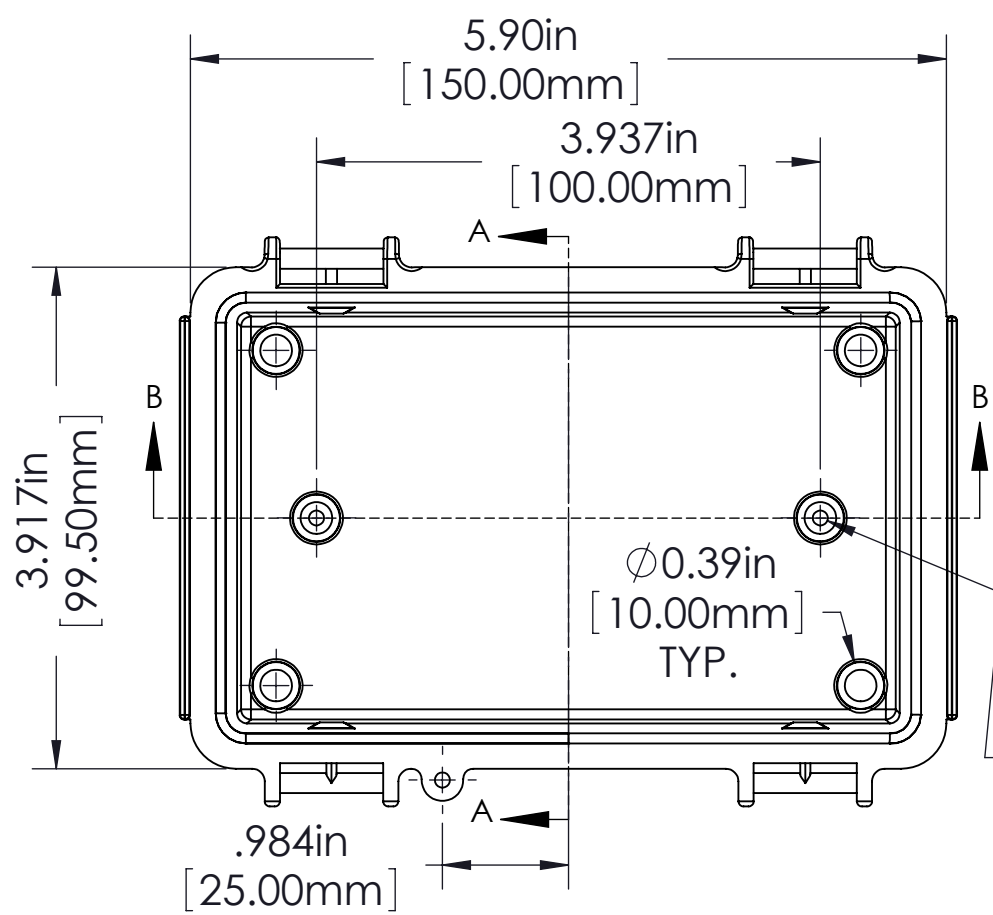


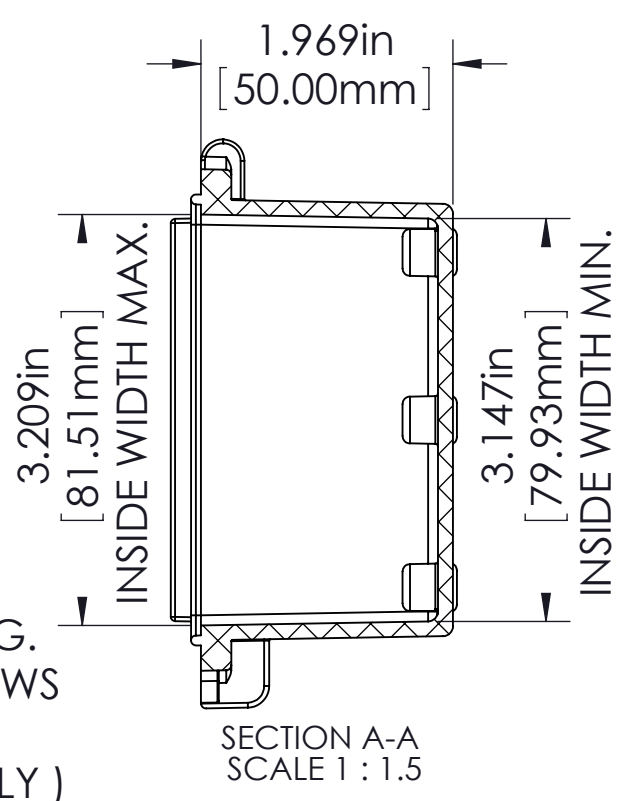
| MATERIAL       | FLAMMABILITY RATING   | CONTINUOUS OPERATING TEMP.     |
|----------------|-----------------------|--------------------------------|
| ABS            | UL94-HB               | -40°C ~ +60°C / -40°F ~ 140°F  |
| CLEAR PC       | UL94-V0 UV STABILIZED | -40°C ~ +130°C / -40°F ~ 266°F |
| ABS / PC BLEND | UL94-5VA              | -40°C ~ +85°C / -40°F ~ 185°F  |
| PBT / PC BLEND | UL94-5VA + UV (f1)    | -40°C ~ +75°C / -40°F ~ 167°F  |

FINISH:  
 BODY \_\_\_\_\_ LIGHT GRAY  
 COVER \_\_\_\_\_ LIGHT GRAY OR CLEAR  
 LATCHES & HINGES \_\_\_\_\_ PLASTIC  
 WALL MOUNTING BRACKETS\_\_ STAINLESS STEEL & HARDWARE

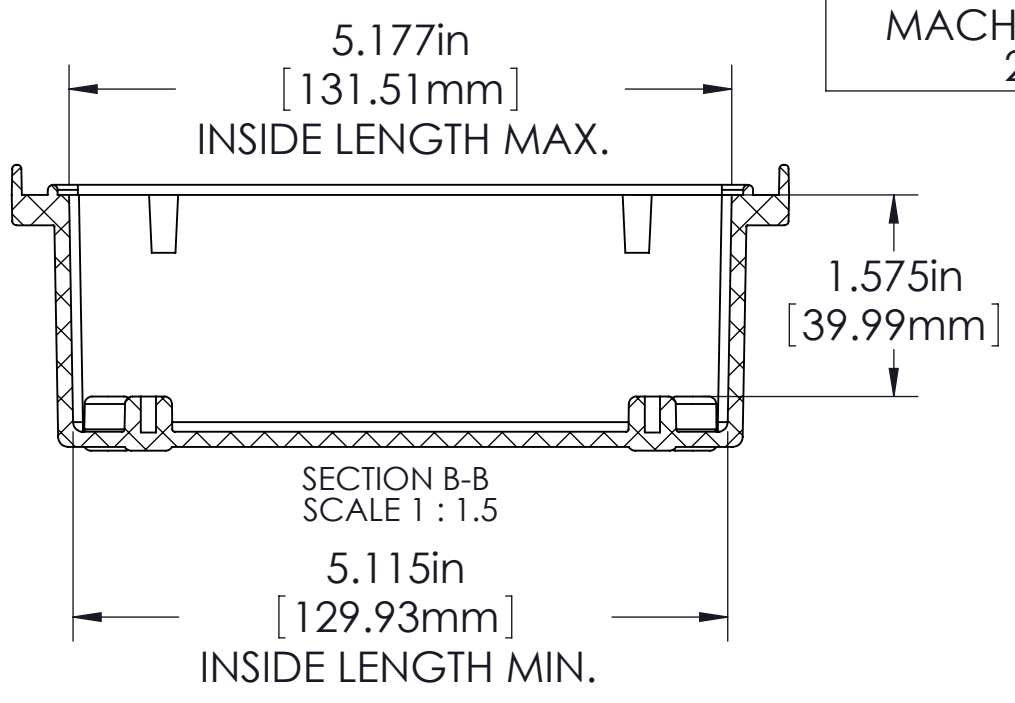
## BODY



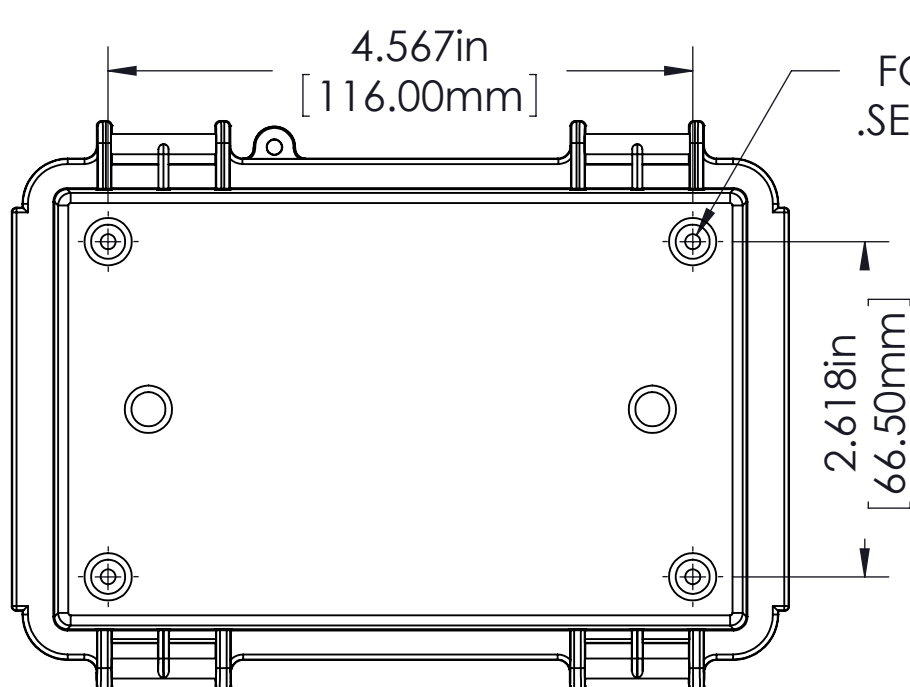
Ø.118in [3.00mm]  
 FOR M4 x 10mm LG. SELF-TAPPING SCREWS 2 PLCS.  
 (ABS VERSIONS ONLY)  
 M4 THREADED INSERTS ON ALL OTHER VERSIONS USE M4 x 8mm LG. MACHINE SCREWS. 2 PLCS.



SECTION A-A  
SCALE 1 : 1.5

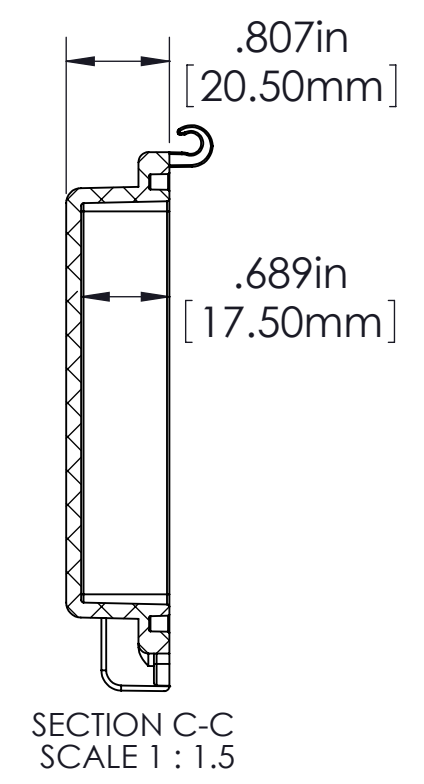
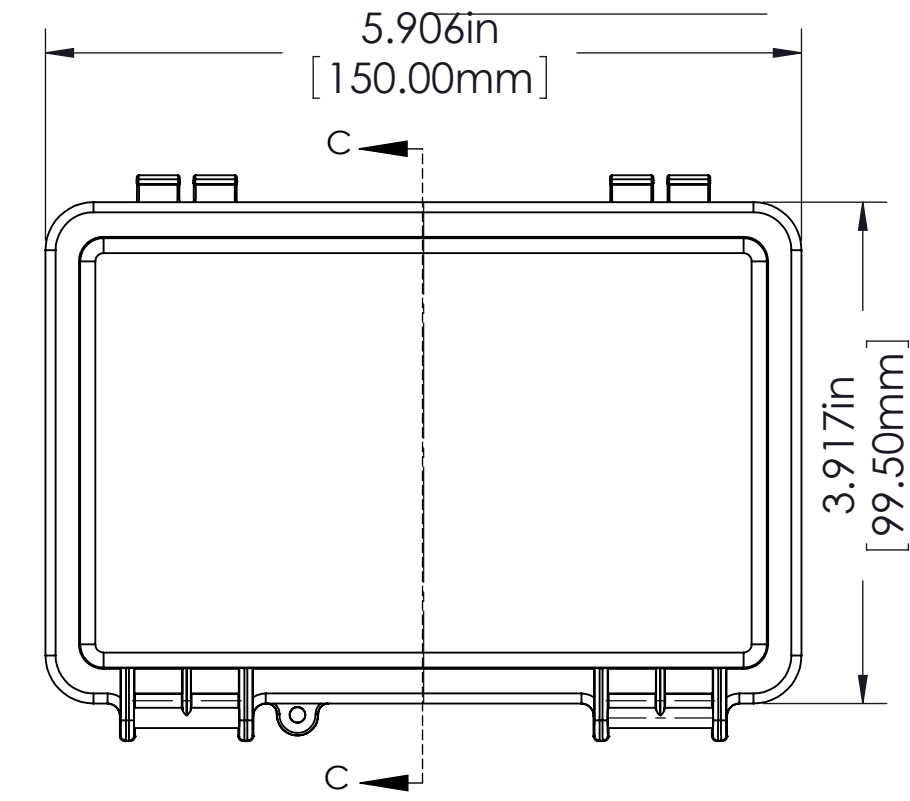


SECTION B-B  
SCALE 1 : 1.5



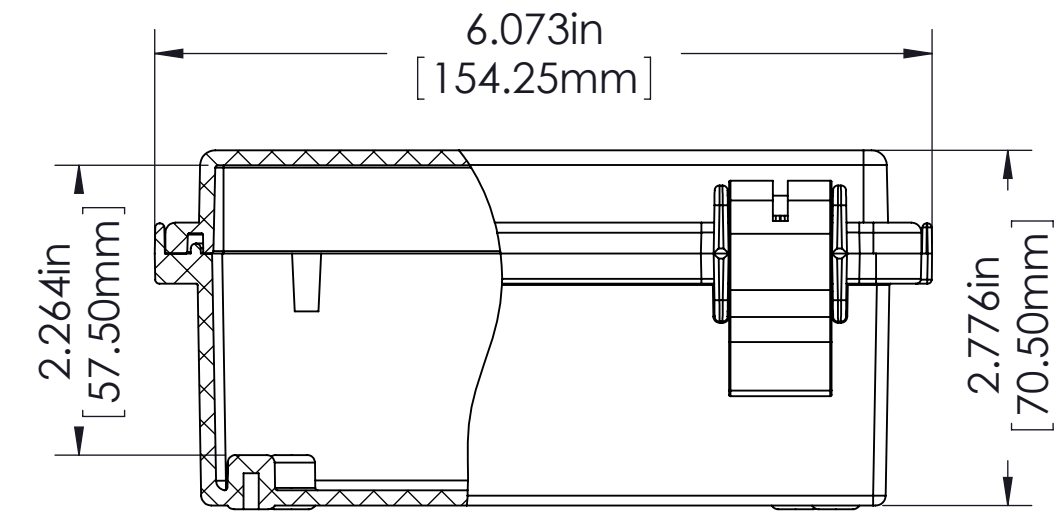
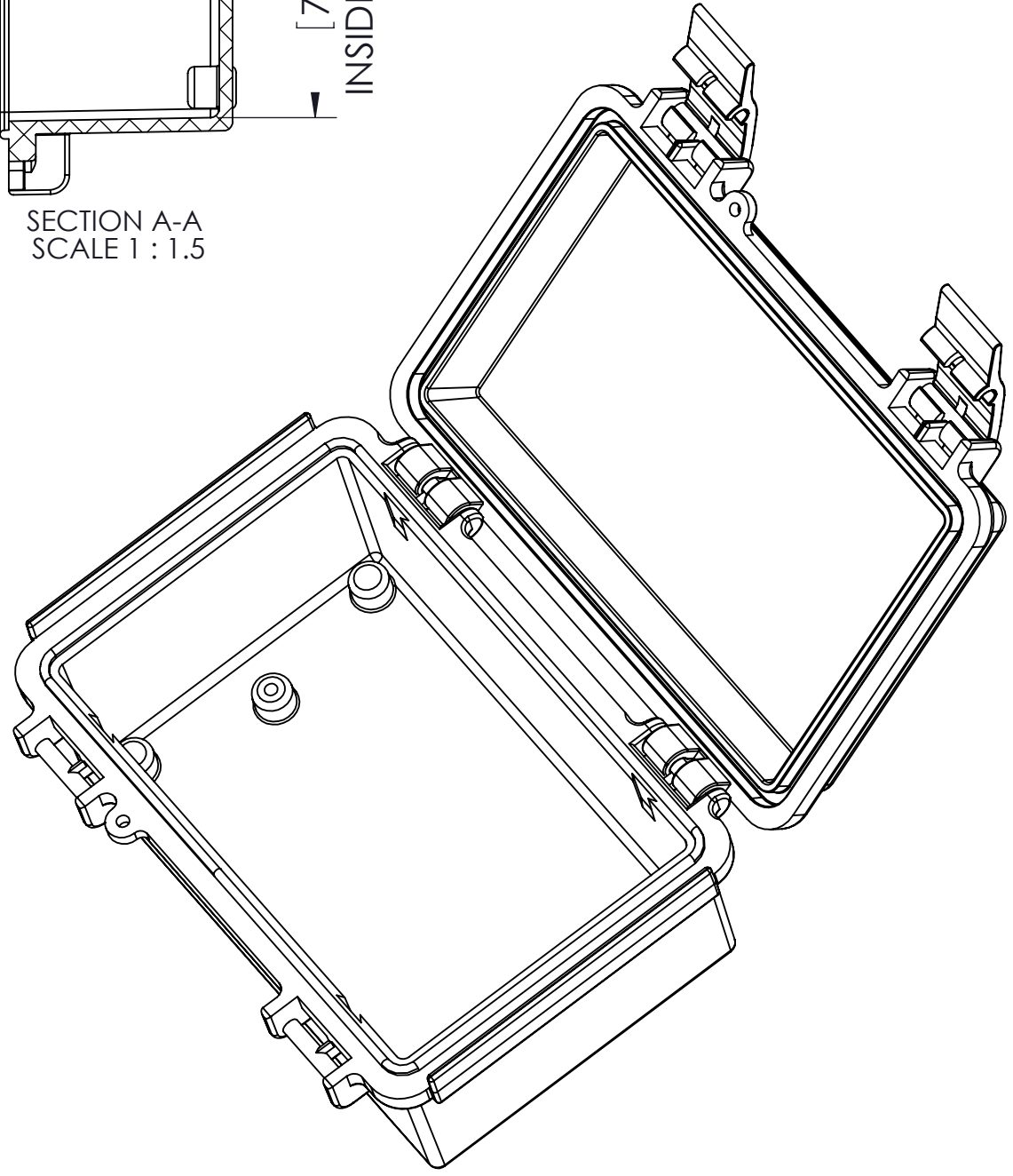
Ø.118in [3.00mm]  
 FOR M4 x 10mm LG. SELF-TAPPING SCREWS 4 PLCS.

## COVER



SECTION C-C  
SCALE 1 : 1.5

## ASSEMBLY



### NOTES:

- 1) UNIT COMES COMPLETE WITH (4) WALL MOUNTING BRACKETS & (4) M4 x 10mm LG. SELF-TAPPING SCREWS. (NOT SHOWN)
- 2) BOXES DESIGNED TO MEET FOLLOWING STANDARDS: NEMA 1,2,4,4X AND IEC529-IP65 REQUIREMENTS.

### TOLERANCES:

ALL DIMENSIONS HAVE ±0.039in. [±1mm] TOLERANCE UNLESS OTHERWISE SPECIFIED.

| PART NO.  | MATERIAL |          | USE     |
|-----------|----------|----------|---------|
|           | BODY     | COVER    |         |
| NBF-32004 | ABS      | ABS      | INDOOR  |
| NBF-32104 | ABS / PC | ABS / PC | INDOOR  |
| NBF-32204 | ABS / PC | CLEAR PC | INDOOR  |
| NBF-32304 | PBT / PC | PBT / PC | OUTDOOR |
| NBF-32404 | PBT / PC | CLEAR PC | OUTDOOR |

Authorized Distribution Brand :



Website :

Welcome to visit [www.ameya360.com](http://www.ameya360.com)

Contact Us :

➤ Address :

401 Building No.5, JiuGe Business Center, Lane 2301, Yishan Rd  
Minhang District, Shanghai , China

➤ Sales :

Direct +86 (21) 6401-6692

Email [amall@ameya360.com](mailto:amall@ameya360.com)

QQ 800077892

Skype ameyasales1 ameyasales2

➤ Customer Service :

Email [service@ameya360.com](mailto:service@ameya360.com)

➤ Partnership :

Tel +86 (21) 64016692-8333

Email [mkt@ameya360.com](mailto:mkt@ameya360.com)