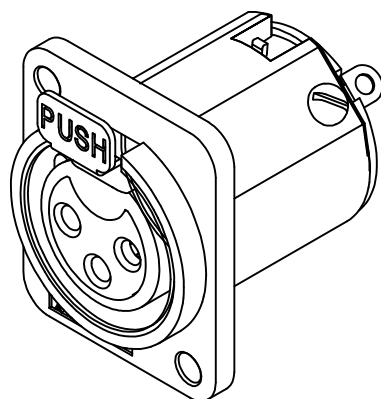


PANEL CUT OUT



ISO VIEW

AC*FDZ	INSERT No.
AC3FDZ	156-4065-*00
AC4FDZ	156-4073-*00
AC5FDZ	156-4074-*00
AC6AFDZ	156-4075-*00
AC7FDZ	156-4076-*00

UNLESS OTHERWISE SPECIFIED TOLERANCE TO BE		THIS DOCUMENT IS THE PROPERTY OF AMPHENOL AUSTRALIA PTY. LTD.. NO PART THEREOF MAY BE REPRODUCED AND USED WITHOUT THE PRIOR WRITTEN CONSENT OF THE OWNER		2	UPDATE TO AMPHENOL LOGO ADD SHEET 2 OF 2 FOR CUSTOMER DRAWING	M.N.H.	27-06-00	7473
LINEAR		ANGULAR		0	FIRST ISSUE	D.v.E.	21-09-1995	----
X ± 0.50	X' ± 1'	CAD FILE: 00821102		REV.	CHANGE DETAILS	BY	DATE	CHG/No
X,X ± 0.10	X,X' ± 30'	DRN: D.v.E.	DATE: 21-09-95	TITLE:		Amphenol		
X,XX ± 0.05	X,X,X' ± 15'	MATL: REFER TO COMPONENT	CKD: M.N.H	DATE: 28-06-02	AC*FDZ PANEL MOUNT CUSTOMER DRAWING		Amphenol Australia Pty.Ltd, 2 Fineways Blvd, Keysborough, Vic.3173	
DO NOT SCALE		FINISH: REFER TO COMPONENT	APP'D: P.M	DATE: 28-06-02	DRAWING NO.		SHEET	
DIMENSIONS IN MILLIMETRES		THIRD ANGLE PROJECTION	SCALE: 2:1 UOS	PART No:	128461-0000	SIZE: A3	128461-0000	2 OF 2

AMEYA360

Components Supply Platform

Authorized Distribution Brand :



Website :

Welcome to visit www.ameya360.com

Contact Us :

➤ Address :

401 Building No.5, JiuGe Business Center, Lane 2301, Yishan Rd
Minhang District, Shanghai , China

➤ Sales :

Direct +86 (21) 6401-6692

Email amall@ameya360.com

QQ 800077892

Skype [ameyasales1](#) [ameyasales2](#)

➤ Customer Service :

Email service@ameya360.com

➤ Partnership :

Tel +86 (21) 64016692-8333

Email mkt@ameya360.com