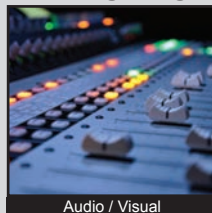


RP8300 SERIES PUSHBUTTON SWITCH

ANTI-VANDAL SWITCHES
 DETECTOR SWITCHES
 DIP SWITCHES
 KEYLOCK SWITCHES
 NAVIGATION SWITCHES
PUSHBUTTON SWITCHES
 ROCKER SWITCHES
 ROTARY SWITCHES
 SLIDE SWITCHES
 SNAP ACTION SWITCHES
 TACTILE SWITCHES
 TOGGLE SWITCHES
 CAP OPTIONS



APPLICATIONS / MARKETS



Audio / Visual



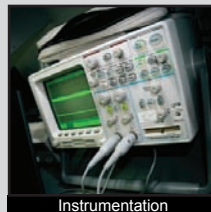
Electrical Housewares



Floor Care Appliances



White Goods



Instrumentation



Medical Equipment

RoHS

SPECIFICATIONS

Electrical Rating:
 500mA @ 48 VAC, 200mA @ 50 VDC, 200mA @ 250 VAC
Life Expectancy: 500,000 Cycles
Contact Resistance: 50mΩ Max.
Insulation Resistance: 1,000MΩ Min. @ 500VDC
Dielectric Strength: 1,500VAC for 1 minute
Operating Temperature: -30°C to 85°C
Travel: 1.5mm
Contact Arrangement: SPST, Off-(On), Momentary
Actuation Force: 350 gf
Panel Thickness: 1.5mm - 4.0mm
Panel Cutout: 13.6mm diameter
Ingress Protection: IP67

FEATURES & BENEFITS

- Threaded mount
- 500,000 life expectancy
- LED illumination options
- Sealed to IP67 ratings
- Metal Diecast housing

PART NUMBER CONFIGURATOR

Series	Bushing	Termination	Contact Material	Seal	Housing Color	Cap Color	LED Color
<input type="text" value="R"/> <input type="text" value="P"/> <input type="text" value="8"/> <input type="text" value="3"/> <input type="text" value="0"/> <input type="text" value="0"/> RP8300	<input type="text" value="B"/> <input type="text" value="2"/> B2 - Threaded (12 x 0.75)	<input type="text" value="M"/> <input type="text" value="1"/> M1 - Standard	<input type="text" value="C"/> C - Gold Over Silver	<input type="text" value="E"/> E - Epoxy Sealed	<input type="text" value="B"/> <input type="text" value="L"/> <input type="text" value="K"/> <input type="text" value="N"/> <input type="text" value="I"/> <input type="text" value="C"/> <input type="text" value="C"/> <input type="text" value="H"/> <input type="text" value="R"/> BLK - Black NIC - Stain Nickel CHR - Chrome	<input type="text" value="W"/> <input type="text" value="H"/> <input type="text" value="T"/> <input type="text" value="B"/> <input type="text" value="L"/> <input type="text" value="K"/> <input type="text" value="R"/> <input type="text" value="E"/> <input type="text" value="D"/> <input type="text" value="O"/> <input type="text" value="R"/> <input type="text" value="G"/> <input type="text" value="Y"/> <input type="text" value="E"/> <input type="text" value="L"/> <input type="text" value="G"/> <input type="text" value="R"/> <input type="text" value="N"/> <input type="text" value="B"/> <input type="text" value="L"/> <input type="text" value="U"/> <input type="text" value="B"/> <input type="text" value="L"/> <input type="text" value="U"/> WHT - White BLK - Black RED - Red ORG - Orange YEL - Yellow GRN - Green BLU - Blue	<input type="text" value="W"/> <input type="text" value="H"/> <input type="text" value="T"/> <input type="text" value="R"/> <input type="text" value="E"/> <input type="text" value="D"/> <input type="text" value="Y"/> <input type="text" value="E"/> <input type="text" value="L"/> <input type="text" value="G"/> <input type="text" value="R"/> <input type="text" value="N"/> <input type="text" value="B"/> <input type="text" value="L"/> <input type="text" value="U"/> <input type="text" value="N"/> <input type="text" value="I"/> <input type="text" value="L"/> WHT - White LED RED - Red LED YEL - Yellow LED GRN - Green LED BLU - Blue LED NIL - Non Illuminated

Specifications subject to change without notice



E-SWITCH®

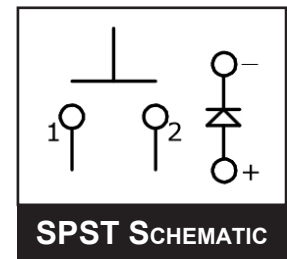
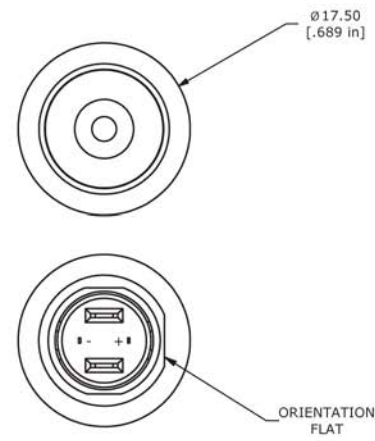
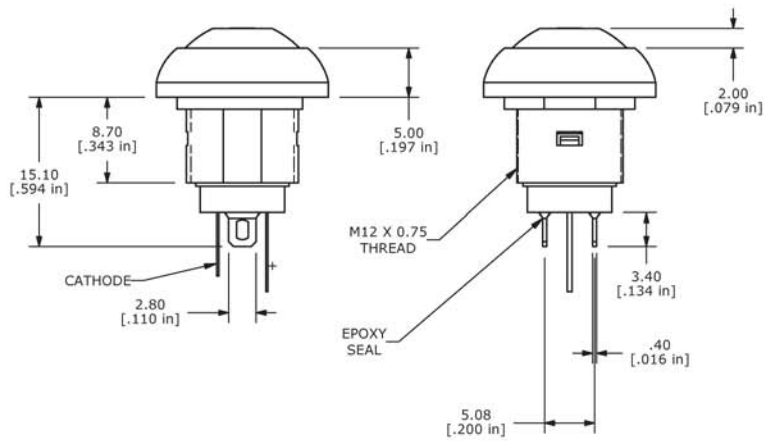
www.e-switch.com

800.867.2717

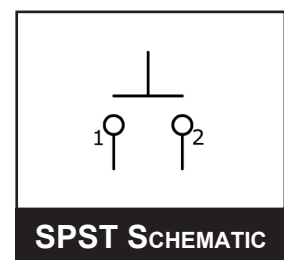
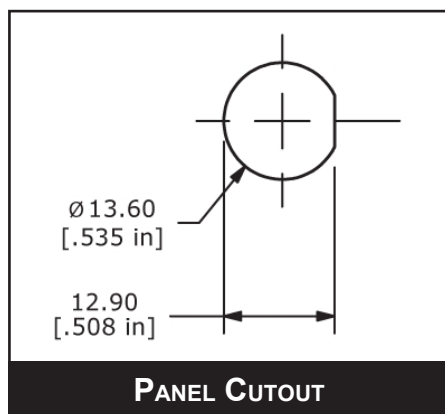
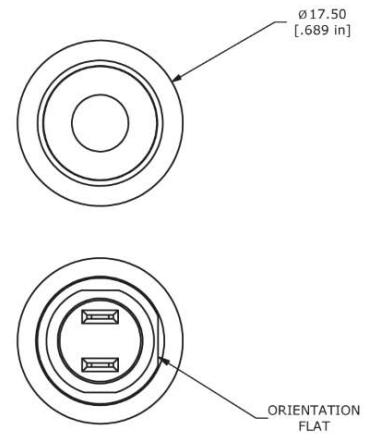
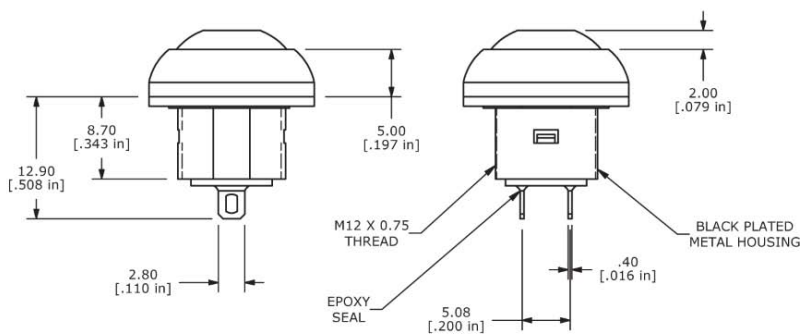
2

RP8300 SERIES PUSHBUTTON SWITCH

BODY DIMENSIONS ILLUMINATED



BODY DIMENSIONS NON-ILLUMINATED



ANTI-VANDAL SWITCHES
DETECTOR SWITCHES
DIP SWITCHES
KEYLOCK SWITCHES
NAVIGATION SWITCHES
PUSHBUTTON SWITCHES
ROCKER SWITCHES
ROTARY SWITCHES
SLIDE SWITCHES
SNAP ACTION SWITCHES
TACTILE SWITCHES
TOGGLE SWITCHES
CAP OPTIONS

AMEYA360

Components Supply Platform

Authorized Distribution Brand :



Website :

Welcome to visit www.ameya360.com

Contact Us :

➤ Address :

401 Building No.5, JiuGe Business Center, Lane 2301, Yishan Rd
Minhang District, Shanghai , China

➤ Sales :

Direct +86 (21) 6401-6692

Email amall@ameya360.com

QQ 800077892

Skype [ameyasales1](#) [ameyasales2](#)

➤ Customer Service :

Email service@ameya360.com

➤ Partnership :

Tel +86 (21) 64016692-8333

Email mkt@ameya360.com