

SERIES 95C

12mm Square



FEATURES

- Excellent Tactile Feedback
- Surface Mount Versions Compatible with SMT Assembly Including Infrared and Vapor Phase
- Ultraminiature and Lightweight Structure Suitable for High Density Mounting

Used in applications such as consumer electronics, audio equipment, PCs, VCRs, cable boxes, modems, communications equipment, controls, security and alarm equipment, and test and measurement equipment.



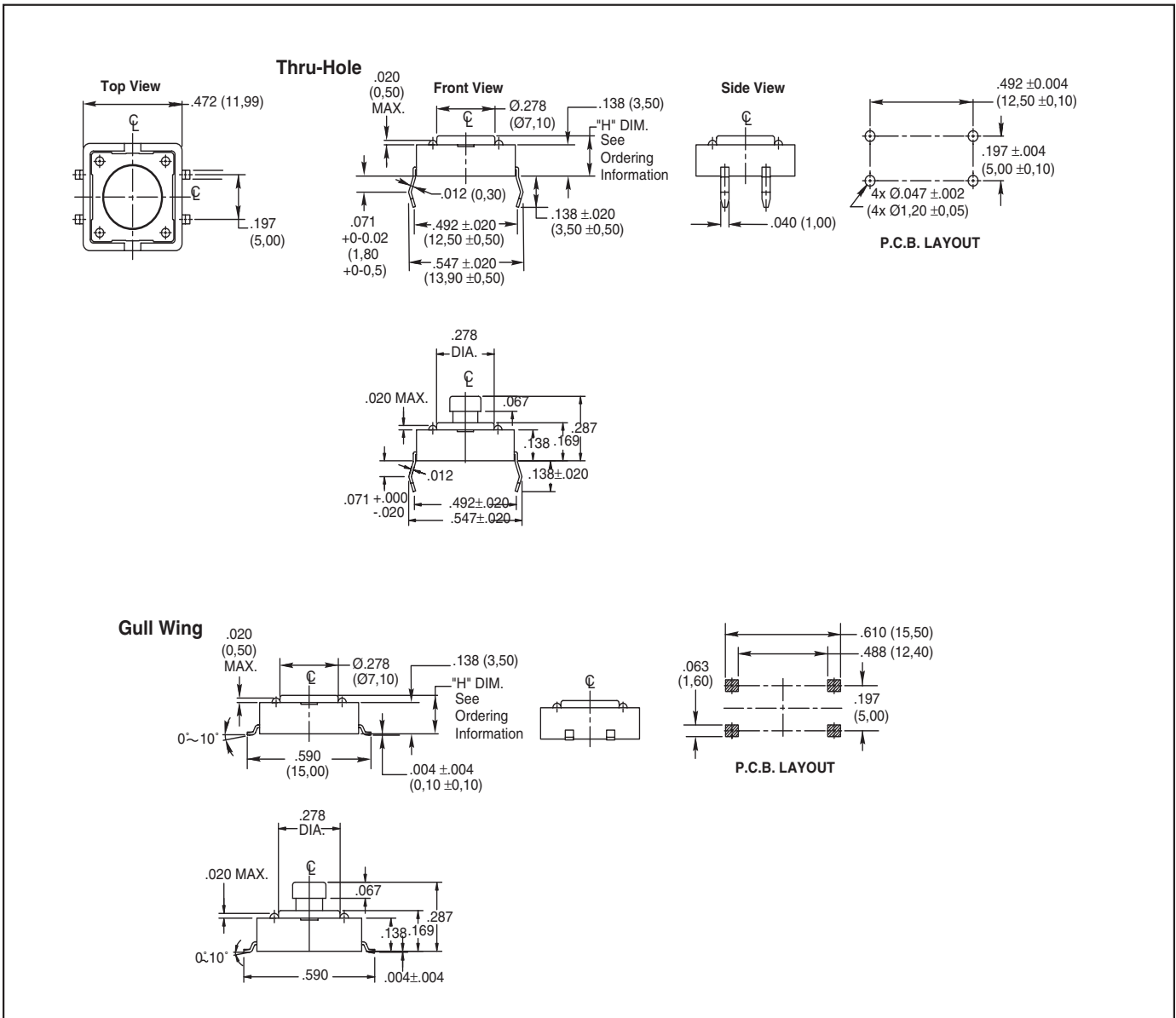
Thru-Hole



Gull Wing

APPLICATIONS

DIMENSIONS In inches (and millimeters)



Tact Switches

SPECIFICATIONS

Materials

Base: UL94V-0 Nylon thermoplastic
Cover: Stainless steel, tin-plated
Actuator: UL94V-0 Nylon thermoplastic
Terminal: Brass with silver-plating
Contact: Stainless steel with silver-plating
Cap: Thermoplastic ABS

Electrical

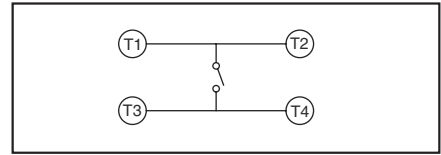
Rating: 50mA, 12 Vdc
Life: 160g: 1,000,000 cycles/
 260g: 500,000 cycles
Actuator Travel: .014" ± .004"
Contact Resistance: 100 mΩ max.

Insulation Resistance: 100 MΩ min. at 500Vdc
Dielectric Strength: No dielectric breakdown after 250V for one minute
Contact Arrangement: single pole, single throw

Environmental

Operating Temp. Range: -25 to 70°C
Storage Temp. Range: -30 to 80°C
Mechanical Shock: MIL-STD-202F, Method, 213B, Test Condition A. Gravity: 50G's (peak value), 11 msec. Direction and times: 6 sides and 3 times in each direction. High reliability.
Vibration: MIL-STD-202F, Method 201A. Passed 6 hours (2 hours in each) of three

CIRCUITRY



perpendicular planes at a cycle of 10-55-10Hz/1 minute.

Stop Strength: Place the switch such that vertical, a static load of 3kg shall be applied in the direction of stem operation for a period of 15 seconds.

Soldering Process

Hand Soldering: Use a soldering iron of 30 watts, controlled at 350°C for 5 seconds maximum while applying solder.

Reflow Soldering (surface mount versions only): Peak temperature 260°C (500°F).

Wave Soldering: 260°C (500°F) maximum for 5 seconds subject to PCB .063 in. (1.6mm) thickness.

Packaging

Thru-Hole: Bulk, 500 pcs/bag.
 Surface Mount: 40 pcs/tube, 700 pcs/reel (.169" height), 500 pcs/reel (.335" and .287" height).

ORDERING INFORMATION

Series
Size: 12 = 12mm Square
Height ("H"): A = .169 (4,29); B = .335 (8,51); C = Square .287 (7,29)
95C12A3GWR
RoHS compliant
Packaging: Blank = Tube or Bulk, R = Tape and Reel (see pkg note)
Terminal Style: Blank = Thru-hole, GW = Gull Wing
Operating Force (Actuator Color): 3 = 160g (Brown), 4 = 260g (Red)

Available from your local Grayhill Component Distributor.

For prices and discounts, contact a local Sales Office, an authorized local distributor, or Grayhill.

DECORATIVE CAPS (for use with "C" style square actuators)

12mm Square
figure 3

12mm Round
figure 4

PART NUMBER	SWITCH SIZE	SHAPE	COLOR	FIGURE
95CAP-100	12mm	SQUARE	YELLOW	3
95CAP-101	12mm	SQUARE	BLUE	3
95CAP-102	12mm	SQUARE	RED	3
95CAP-103	12mm	SQUARE	NATURAL	3
95CAP-104	12mm	SQUARE	BLACK	3
95CAP-105	12mm	SQUARE	GREEN	3
95CAP-106	12mm	SQUARE	ORANGE	3
95CAP-110	12mm	ROUND	YELLOW	4
95CAP-111	12mm	ROUND	BLUE	4
95CAP-112	12mm	ROUND	RED	4
95CAP-113	12mm	ROUND	NATURAL	4
95CAP-114	12mm	ROUND	BLACK	4
95CAP-115	12mm	ROUND	GREEN	4
95CAP-116	12mm	ROUND	ORANGE	4

AMEYA360

Components Supply Platform

Authorized Distribution Brand :



Website :

Welcome to visit www.ameya360.com

Contact Us :

➤ Address :

401 Building No.5, JiuGe Business Center, Lane 2301, Yishan Rd
Minhang District, Shanghai , China

➤ Sales :

Direct +86 (21) 6401-6692

Email amall@ameya360.com

QQ 800077892

Skype [ameyasales1](#) [ameyasales2](#)

➤ Customer Service :

Email service@ameya360.com

➤ Partnership :

Tel +86 (21) 64016692-8333

Email mkt@ameya360.com