

LM2753 High Power Switched Capacitor Voltage Convertor/Flash LED Driver

Check for Samples: [LM2753](#)

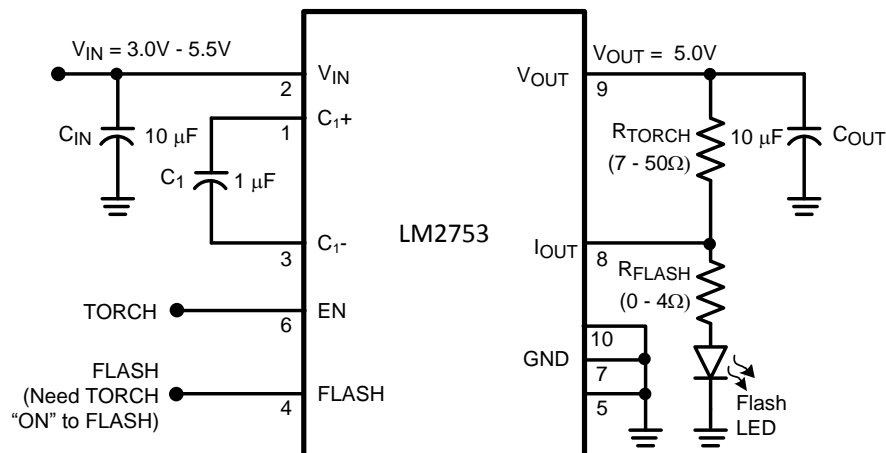
FEATURES

- **Input Voltage Range: 3.0V to 5.5V**
- **Regulated 5V Output**
- **250mA Output Current with a 3.6V Input**
- **400mA Pulsed Output Current (up to 500ms Duration)**
- **60 μ A (typ.) Quiescent Current**
- **PFM Regulation**
- **Inductor-Less Solution: Requires Only 3 Small Capacitors**
- **<1 μ A Typical Shutdown Current**
- **10-pin SON Package (No Pullback):**
 - 3mm x 3mm x 0.8mm

APPLICATIONS

- **Cell Phone Camera Flash**
- **General Purpose Regulated Voltage Output, High Current Supply**

Typical Application Circuit



DESCRIPTION

The LM2753 is capable of driving a Flash LED with a pulsed current of 400mA at an input voltage of 3.6V. A switched capacitor doubler, the LM2753 provides a regulated 5V output (V_{OUT}) over an input supply range of 3.0V to 5.5V. The switched output, I_{OUT} , takes less than 10ns to turn on and provide maximum current to a Flash LED. Flash LED current is set via a ballast resistor. Continuous illumination current (Torch Mode) is programmed by connecting a resistor between I_{OUT} and V_{OUT} . This device uses only three small, low-cost ceramic capacitors.

LM2753 uses Pulse Frequency Modulation (PFM) regulation. Typical operating frequency is 725kHz. Under no-load conditions, LM2753 operates on only 60 μ A. If the output is connected to ground, the charge pump stays in the gain of 1 which helps limit the input current to 300mA (typ.)

LM2753 is available in a 10-pin No Pullback SON-10 package.

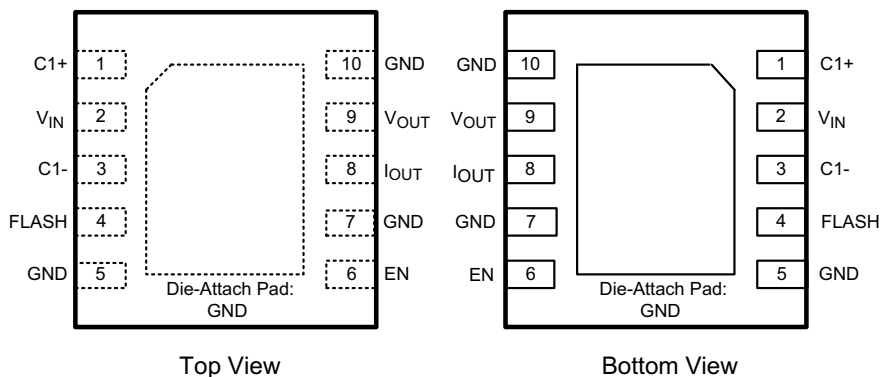


Please be aware that an important notice concerning availability, standard warranty, and use in critical applications of Texas Instruments semiconductor products and disclaimers thereto appears at the end of this data sheet.

All trademarks are the property of their respective owners.

Connection Diagram

LM2753
10-Pin SON Package
3mm X 3mm x 0.8mm
NS Package Number DSC0010A



Pin Descriptions

Name	Pin Number	Description
C ₁₊	1	Flying capacitor connection.
V _{IN}	2	Input Voltage Connection. Input Voltage Range: 3.0V to 5.5V.
C ₁₋	3	Flying Capacitor connection.
FLASH	4	Flash Logic Input Pin. Logic HIGH = Flash Output On, Logic LOW = Flash Output Off. There is an internal pulldown of 300kΩ between FLASH and GND.
GND	5	Connect to Ground.
EN	6	Enable Pin. Logic HIGH = Enable, Logic LOW = Shut Down. There is an internal pulldown of 300kΩ between EN and GND
GND	7	Connect to Ground.
I _{OUT}	8	Flash Output. On/Off Control via FLASH Pin.
V _{OUT}	9	5V Regulated Output.
GND	10	Connect to Ground



These devices have limited built-in ESD protection. The leads should be shorted together or the device placed in conductive foam during storage or handling to prevent electrostatic damage to the MOS gates.

ABSOLUTE MAXIMUM RATINGS⁽¹⁾⁽²⁾⁽³⁾

V _{IN} Pin: Voltage to Ground		-0.3V to 6.0V
EN, Flash pins: Voltage to GND		-0.3V to (V _{IN} +0.3) w/ 6.0V max
Continuous Power Dissipation ⁽⁴⁾		Internally Limited
Junction Temperature (T _{J-MAX-ABS})		150°C
Storage Temperature Range		-65°C to 150°C
Maximum Lead Temperature	(Soldering, 10sec.)	265°C
ESD Rating ⁽⁵⁾	Human-body model	2kV
	Machine model	200V

- (1) Absolute Maximum Ratings indicate limits beyond which damage to the component may occur. Operating Ratings are conditions under which operation of the device is specified. Operating Ratings do not imply specified performance limits. For specified performance limits and associated test conditions, see the Electrical Characteristics tables.
- (2) All voltages are with respect to the potential at the GND pin.
- (3) If Military/Aerospace specified devices are required, please contact the TI Sales/Office/Distributors for availability and specifications.
- (4) Internal thermal shutdown circuitry protects the device from permanent damage. Thermal shutdown engages at T_J=125°C (typ.).
- (5) The Human body model is a 100 pF capacitor discharged through a 1.5 kΩ resistor into each pin. The machine model is a 200pF capacitor discharged directly into each pin. MIL-STD-883 3015.7

OPERATING RATINGS⁽¹⁾⁽²⁾

Input Voltage Range	3.0V to 5.5V
EN, Flash Input Voltage Range	0V to V _{IN}
Junction Temperature (T _J) Range	-40°C to 120°C
Ambient Temperature (T _A) Range ⁽³⁾	-40°C to 85°C

- (1) Absolute Maximum Ratings indicate limits beyond which damage to the component may occur. Operating Ratings are conditions under which operation of the device is specified. Operating Ratings do not imply specified performance limits. For specified performance limits and associated test conditions, see the Electrical Characteristics tables.
- (2) All voltages are with respect to the potential at the GND pin.
- (3) In applications where high power dissipation and/or poor package thermal resistance is present, the maximum ambient temperature may have to be derated. Maximum ambient temperature (T_{A-MAX}) is dependent on the maximum operating junction temperature (T_{J-MAX-OP} = 120°C), the maximum power dissipation of the device in the application (P_{D-MAX}), and the junction-to ambient thermal resistance of the part/package in the application (θ_{JA}), as given by the following equation: T_{A-MAX} = T_{J-MAX-OP} - (θ_{JA} × P_{D-MAX}).

THERMAL PROPERTIES

Junction-to-Ambient Thermal Resistance, SON-10	Package (θ _{JA}) ⁽¹⁾	55°C/W
--	---	--------

- (1) Junction-to-ambient thermal resistance (θ_{JA}) is taken from a thermal modeling result, performed under the conditions and guidelines set forth in the JEDEC standard JESD51-7. The test board is a 4 layer FR-4 board measuring 102mm x 76mm x 1.6mm with a 2 x 1 array of thermal vias. The ground plane on the board is 50mm x 50mm. Thickness of copper layers are 36μm/18μm /18μm/36μm(1.5oz/1oz/1oz/1.5oz). Ambient temperature in simulation is 22°C, still air. Power dissipation is 1W. The value of θ_{JA} of the LM2753 in SON-10 could fall in a range as wide as 50°C/W to 150°C/W (if not wider), depending on PWB material, layout, and environmental conditions. In applications where high maximum power dissipation exists (high V_{IN}, high I_{OUT}), special care must be paid to thermal dissipation issues. For more information on these topics, please refer to **Application Note AN-1187** (Literature Number [SNOA401](#)): Leadless Leadframe Package (LLP) and the [Power Efficiency](#) and [Power Dissipation](#) section of this datasheet.

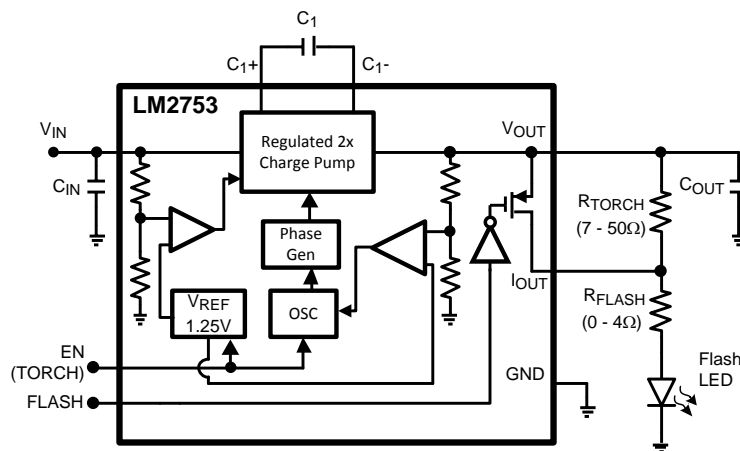
ELECTRICAL CHARACTERISTICS⁽¹⁾⁽²⁾

Limits in standard typeface are for $T_A = 25^\circ\text{C}$. Limits in **boldface** type apply over the full operating ambient temperature range ($-40^\circ\text{C} \leq T_A \leq +85^\circ\text{C}$). Unless otherwise noted, specifications apply to the LM2753 Typical Application Circuit (pg. 1) with: $V_{IN} = 3.6\text{V}$, $V(\text{EN}) = V_{IN}$, $V(\text{FLASH}) = \text{GND}$, $C_1 = 1.0\mu\text{F}$, $C_{IN} = C_{OUT} = 10.0\mu\text{F}$ ⁽³⁾.

Parameter	Test Conditions	Min	Typ	Max	Units
V_{OUT}	Output Voltage $3.0\text{V} \leq V_{IN} \leq 5.5\text{V}$, $I_{OUT} \leq 100\text{mA}$	4.75(-5%)	5.0	5.25(+5%)	V
I_{VOUT}	Continuous Load Current $3.0\text{V} \leq V_{IN} \leq 5.5\text{V}$ $V_{OUT} = 5\text{V}$ (typ.)		200		mA
I_{OUT}	Pulsed Flash Current $V(\text{FLASH}) = 1.8\text{V}$ $T_{PULSE} = 500\text{ms}$ $V_{IOUT-MAX} = 4.1\text{V}$ (typ.)		400		mA
I_Q	Quiescent Current $I_{OUT} = 0\text{mA}$ $3.0\text{V} \leq V_{IN} \leq 5.5\text{V}$		60	80	μA
I_{SD}	Shutdown Supply Current $V(\text{EN}) = 0\text{V}$ $3.0\text{V} \leq V_{IN} \leq 5.5\text{V}$		0.1	1	μA
		$V(\text{EN}) = 0\text{V}$ $3.0\text{V} \leq V_{IN} \leq 5.5\text{V}$ $T_A = 85^\circ\text{C}$		0.2	
R_{OUT}	Output Impedance $V_{IN} = 3.2\text{V}$		5.3		Ω
f_{sw}	Switching Frequency $3.0\text{V} \leq V_{IN} \leq 5.5\text{V}$	475	725	950	kHz
V_{IH}	Logic Input High Input Pins: EN, FLASH	1.20		V_{IN}	V
V_{IL}	Logic Input Low Input Pins: EN, FLASH	0		.30	V
I_{IH}	Logic Input High Current $V(\text{EN}) = V(\text{FLASH}) = 3.0\text{V}$		10		μA
I_{IL}	Logic Input Low Current $V(\text{EN}) = V(\text{FLASH}) = 0\text{V}$		10		nA
t_{ON}	Turn-On Time ⁽⁴⁾		640		μs
t_{FLASH}	Flash Turn-On Time ⁽⁵⁾ $V(\text{FLASH}) = 3.6\text{V}$		10		ns

- (1) All voltages are with respect to the potential at the GND pin.
- (2) Min and Max limits are specified by design, test, or statistical analysis. Typical numbers are not specified, but represent the most likely norm.
- (3) C_{IN} , C_{OUT} , and C_1 : Low-ESR Surface-Mount Ceramic Capacitors (MLCCs) used in setting electrical characteristics.
- (4) Turn-on time is measured from when the EN signal is pulled high until the output voltage on V_{OUT} crosses 90% of its final value.
- (5) Flash Turn-on time is measured from when the FLASH signal is pulled high until the voltage on I_{OUT} crosses 90% of its final programmed value.

BLOCK DIAGRAM



TYPICAL PERFORMANCE CHARACTERISTICS

Unless otherwise specified: $T_A = 25^\circ\text{C}$, $V_{IN} = 3.6\text{V}$, $V(\text{FLASH}) = \text{GND}$, $V(\text{EN}) = V_{IN}$, $C_{IN} = C_{OUT} = 10.0\mu\text{F}$, $C_1 = 1\mu\text{F}$.

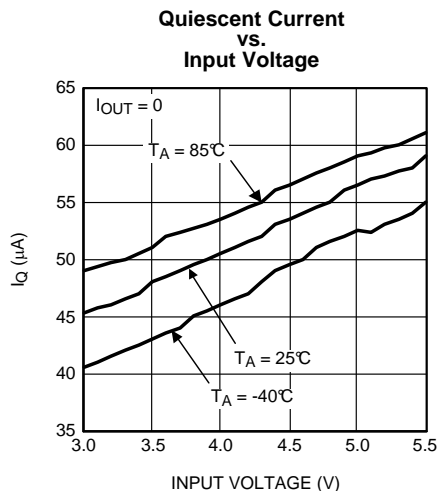


Figure 1.

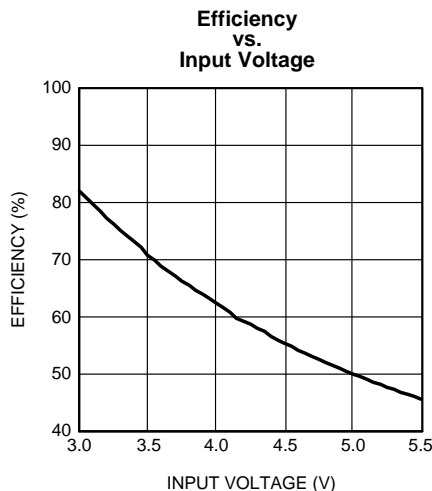


Figure 2.

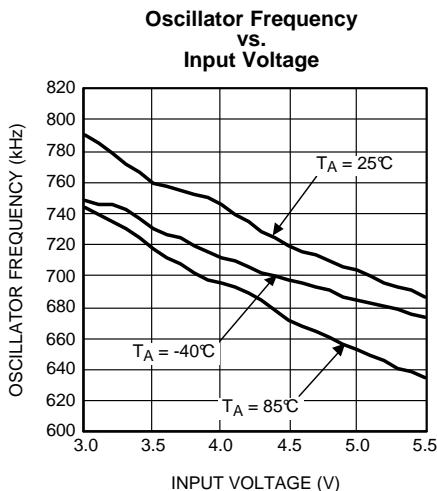
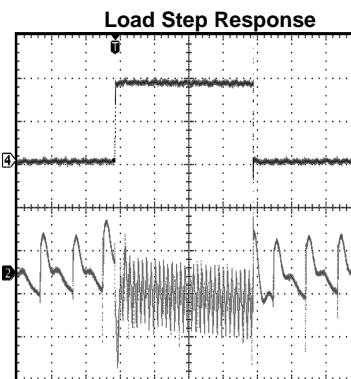
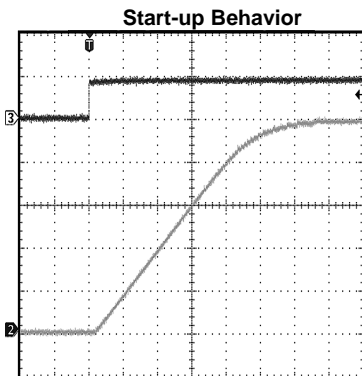


Figure 3.



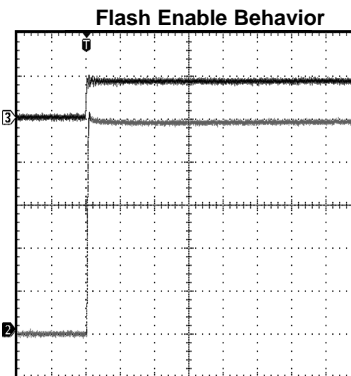
$V_{IN} = 3.6\text{V}$, Load = 10mA - 200mA Step
Top: I_{OUT} ; Scale: 100mA/Div
Bottom: V_{OUT} ; Scale: 50mV/Div, AC Coupled
Time scale: 40µs/Div

Figure 4.



$V_{IN} = 3.6\text{V}$, Load = 100mA
Top: V_{EN} ; Scale: 2V/Div
Bottom: V_{OUT} ; Scale: 1V/Div
Time scale: 100µs/Div

Figure 5.

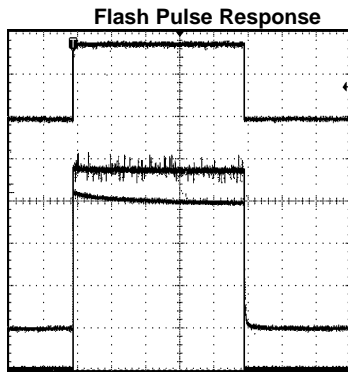


$V_{IN} = 3.6\text{V}$, No Load
Top: V_{FLASH} ; Scale: 2V/Div
Bottom: I_{OUT} ; Scale: 1V/Div
Time scale: 400ns/Div

Figure 6.

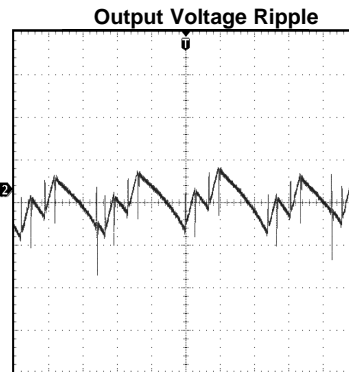
TYPICAL PERFORMANCE CHARACTERISTICS (continued)

Unless otherwise specified: $T_A = 25^\circ\text{C}$, $V_{IN} = 3.6\text{V}$, $V(\text{FLASH}) = \text{GND}$, $V(\text{EN}) = V_{IN}$, $C_{IN} = C_{OUT} = 10.0\mu\text{F}$, $C_1 = 1\mu\text{F}$.



$V_{IN} = 3.6\text{V}$, Load = 10mA - 400mA Step
 Top: V_{FLASH} ; Scale: 1V/Div
 Middle: V_{OUT} ; Scale: 1V/Div
 Bottom: I_{OUT} ; Scale: 100mA/Div
 Time scale: 100ms/Div

Figure 7.



$V_{IN} = 3.6\text{V}$, Load = 200mA
 Plot: V_{OUT} ; Scale: 50mV/Div, AC Coupled
 Time scale: 2µs/Div

Figure 8.

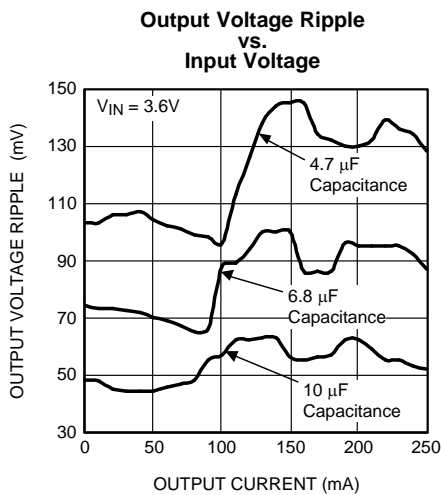
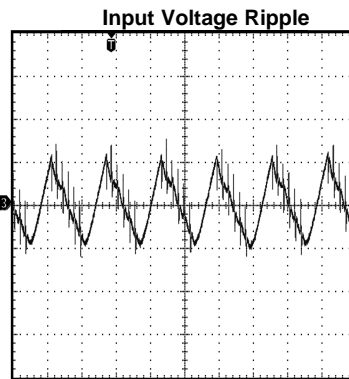


Figure 9.



$V_{IN} = 3.6\text{V}$, Load = 200mA
 Plot: V_{IN} ; Scale: 50mV/Div, AC Coupled
 Time scale: 4µs/Div

Figure 10.

APPLICATION INFORMATION

CIRCUIT DESCRIPTION

The LM2753 is a Switched Capacitor Doubler with a regulated 5V output. It is capable of continuously supplying up to 200mA at 5V to a load connected to V_{OUT} . This device uses Pulse Frequency Modulation and a Multi-Level Switch Array to regulate and maintain the output voltage. For higher load currents, such as during Flash operation, the output voltage is allowed to droop to supply the necessary current. Although there is no current limit on this device, the device will automatically default to a gain of 1 when the output is brought below the input voltage. This configuration limits the input current to about 300mA (typ.). The operating range for the LM2753 is over the extended Li-Ion battery range from 2.7V to 5.5V.

Aside from powering Flash LEDs, the LM2753 is suitable for driving other devices with power requirements up to 200mA. White LEDs can also be connected to this device to backlight a cellular phone keypad and display. The LED brightness can be controlled by applying a PWM (Pulse Width Modulation) signal to the Enable pin (EN) during "Torch" mode, or to the Flash pin during "Flash" mode. (see [PWM BRIGHTNESS CONTROL](#) section).

SOFT START

Soft Start is engaged when the device is taken out of Shutdown mode (EN = logic HIGH) or when voltage is supplied simultaneously to the VIN and EN pins. During Soft Start, the voltage on V_{OUT} will ramp up in proportion to the rate that the reference voltage is being ramped up. The output voltage is programmed to rise from 0V to 5V in 640 μ s (typ.).

ENABLE MODE

The Enable logic pin (EN) disables the part and reduces the quiescent current to 0.1 μ A (typ.). The LM2753 has an active-high enable pin (LOW = shut down, HIGH = operating). The LM2753 EN pin can be driven with a low-voltage CMOS logic signal (1.5V logic, 1.8V logic, etc). There is an internal 300k Ω pull-down resistor between the EN and GND pins of the LM2753.

FLASH MODE

The Flash logic pin (Flash) controls the internal FET connected between the V_{OUT} and I_{OUT} pins on the LM2753. The LM2753 has an active-HIGH Flash pin (LOW = shut down, HIGH = operating). A logic HIGH signal must be present on the EN pin before a logic HIGH signal is placed on the Flash input pin. The EN and Flash input pins can be connected together and controlled with the same logic signal. The turn-on time for I_{OUT} in this configuration will be limited by the turn-on time of the device. The turn-on time for the internal FET is typically 10ns when the device is already on (EN signal HIGH, V_{OUT} at 5V). The LM2753 Flash pin can be driven with a low-voltage CMOS logic signal (1.5V logic, 1.8V logic, etc). There is an internal 300k Ω pull-down resistor between the Flash and GND pins of the LM2753.

CAPACITOR SELECTION

The LM2753 requires 3 external capacitors for proper operation. Surface-mount multi-layer ceramic capacitors are recommended. These capacitors are small, inexpensive and have very low equivalent series resistance (ESR, $\leq 15m\Omega$ typ.). Tantalum capacitors, OS-CON capacitors, and aluminum electrolytic capacitors are generally not recommended for use with the LM2753 due to their high ESR, as compared to ceramic capacitors.

For most applications, ceramic capacitors with X7R or X5R temperature characteristic are preferred for use with the LM2753. These capacitors have tight capacitance tolerance (as good as $\pm 10\%$), hold their value over temperature (X7R: $\pm 15\%$ over -55°C to 125°C ; X5R: $\pm 15\%$ over -55°C to 85°C), and typically have little voltage coefficient when compared to other types of capacitors. However selecting a capacitor with a voltage rating much higher than the voltage it will be subjected to, will ensure that the capacitance will stay closer to the capacitor's nominal value. Capacitors with Y5V or Z5U temperature characteristic are generally not recommended for use with the LM2753. Capacitors with these temperature characteristics typically have wide capacitance tolerance ($+80\%$, -20%), vary significantly over temperature (Y5V: $+22\%$, -82% over -30°C to $+85^{\circ}\text{C}$ range; Z5U: $+22\%$, -56% over $+10^{\circ}\text{C}$ to $+85^{\circ}\text{C}$ range), and have poor voltage coefficients. Under some conditions, a nominal 1 μ F Y5V or Z5U capacitor could have a capacitance of only 0.1 μ F. Such detrimental deviation is likely to cause Y5V and Z5U capacitors to fail to meet the minimum capacitance requirements of the LM2753. [Table 1](#) lists suggested capacitor suppliers for the typical application circuit.

Table 1. Ceramic Capacitor Manufacturers

Manufacturer	Contact
TDK	www.component.tdk.com
Murata	www.murata.com
Taiyo Yuden	www.t-yuden.com

FLASH LED SELECTION

The LM2753 provides a 5V (typ.) fixed voltage to drive a Flash LED with a continuous current up to 200mA (typ.). At LED currents above 200mA (typ.), the output of the LM2753 is allowed to droop to deliver the desired current to the Flash LED. This droop limits the maximum forward voltage and in turn the maximum current that can be supplied to a given LED. LEDs should be chosen such that the LED forward voltage at the desired maximum LED current does not exceed the output voltage of the LM2753 when loaded down with that same current. It is suggested that the selected LEDs be binned due to the relatively high forward voltage tolerance of Flash LEDs. The typical and maximum diode forward voltage depends highly on the manufacturer and their technology. [Table 2](#) lists several suggested manufacturers.

Table 2. Flash LED Selection

Manufacturer	Contact
Agilent	www.agilent.com/semiconductors
AOT	www.aot.com.tw
Citizen	www.c-e.co.jp/e/
Lumiled	www.lumileds.com
Nichia	www.nichia.com
Osram	www.osram-os.com
Panasonic	www.panasonic.co.jp/semicon/
Seoul Semiconductor	en.seoulsemicon.co.kr

PFM REGULATION

The LM2753 achieves its tightly regulated output voltage with pulse-frequency modulated (PFM) regulation. PFM simply means the part only pumps when charge needs to be delivered to the output in order to keep the output voltage in regulation. When the output voltage is above the target regulation voltage the part idles, consuming minimal supply current with C_1 is connected between V_{IN} and GND and V_{IN} is disconnected from V_{OUT} . In this state, the load current is supplied solely by the charge stored on the output capacitor. As this capacitor discharges and the output voltage falls below the target regulation voltage, the charge pump activates, and charge is delivered to the output. This charge supplies the load current and boosts the voltage on the output capacitor.

The primary benefit of PFM regulation is when output currents are light and the part is predominantly in the low-supply-current idle state. Net supply current is minimal because the part only occasionally needs to recharge the output capacitor by activating the charge pump. With PFM regulation, input and output ripple frequencies vary significantly, and are dependent on output current, input voltage, and to a lesser degree, other factors such as temperature, internal switch characteristics, and capacitor characteristics (voltage tolerance, temperature variation).

OUTPUT VOLTAGE RIPPLE

The voltage ripple on the output of the LM2753 is highly dependent on the application conditions. The output capacitance, input voltage, and output current each play a significant part in determining the output voltage ripple. Due to the complexity of the LM2753 operation, providing equations or models to approximate the magnitude of the ripple cannot be easily accomplished. However, the following general statements can be made.

The output capacitor will have a significant effect on output voltage ripple magnitude. Ripple magnitude will typically be linearly proportional to the output capacitance present. The ESR of the output capacitor also contributes to the output voltage ripple, as there is effectively an AC voltage drop across the ESR due to current switching in and out of the capacitor. To keep the voltage ripple small, a low-ESR ceramic capacitor is recommended on the output. Placing multiple capacitors in parallel can reduce ripple significantly, by both

increasing capacitance and reducing ESR. When capacitors are in parallel the ESR of the capacitors are in parallel as well, resulting in a net ESR according to the properties of parallel resistance. Two identical capacitors in parallel have twice the capacitance and half the ESR as compared to a single capacitor if the same type. On a similar note, if a large-value, high-ESR capacitor (tantalum, for example) is to be used as the primary output capacitor, the net ESR can be significantly reduced by placing a low-ESR ceramic capacitor in parallel with this primary output capacitor.

I_{OUT} PIN

An internal FET is connected between the V_{OUT} pin and the I_{OUT} pin of the LM2753. When a logic high signal is placed on the Flash input pin, the internal FET turns on and connects I_{OUT} to V_{OUT} in less than 10ns (typ). If the I_{OUT} pin is not going to be used, the Flash input pin can be tied to GND and the I_{OUT} pin can be left unconnected.

In the typical application circuit there is one resistor between V_{OUT} and I_{OUT} and another resistor between I_{OUT} and the Flash LED. When a LOW logic signal is placed on the Flash input pin, the internal FET opens and current flows from V_{OUT} through both resistors and through the Flash LED. When a logic HIGH signal is applied to the Flash input pin the internal FET closes, shorting out the resistor between V_{OUT} and I_{OUT}, and current flows through the second resistor and the Flash LED.

Follow the steps below to set the desired current levels for the Flash LED:

Setting Flash Current

1. Determine the LED's forward voltage at the desired Flash current.
2. Find the voltage difference between I_{OUT} and the LED forward voltage.
3. Divide the voltage difference by the desired Flash current to obtain the needed Flash LED ballast resistance

Setting Torch Current

4. First determine required Flash Ballast
5. Determine the LED's forward voltage at the desired continuous Torch current
6. Find the voltage difference between V_{OUT} and the LED forward voltage.
7. Divide the voltage difference by the desired Torch current to obtain the total resistance needed.
8. Subtract the Flash Ballast resistance from this total resistance to find the required Torch resistance between V_{OUT} and I_{OUT}

PWM BRIGHTNESS CONTROL PROCEDURES

The brightness of a Flash LED connected to V_{OUT} can be linearly varied from zero up to the maximum programmed current level by applying a Pulse-Width-Modulated signal to the EN pin of the LM2753. The following procedures illustrate how to program the LED drive current and adjust the output current level using a PWM signal.

1. To select the maximum desired current level, refer to the [I_{OUT} PIN](#) section and follow the steps detailed in the "Setting Flash Current" and "Setting Torch Current" subheadings.
2. Brightness control for "Torch" mode can be implemented by pulsing a signal at the EN pin, while Flash is connected to a logic LOW signal. Also, brightness control can also be implemented for Flash mode by pulsing a signal on the Flash pin while the part is already enabled (EN = logic HIGH). LED brightness is proportional to the duty cycle (D) of the PWM signal. For linear brightness control over the full duty cycle adjustment range, the PWM frequency (f) should be limited during Torch mode to accommodate the turn-on time (T_{ON} = 640μs) of the device. Also, the PWM frequency should be limited during "Flash" mode to accommodate the turn-on time (T_{FLASH} = 10ns) of the I_{OUT} output FET.

$$D \times (1/f) > T_{ON,FLASH}$$

$$f_{MAX} = D_{MIN} \div T_{ON,FLASH}$$

If the PWM frequency is much less than 100Hz, flicker may be seen in the LEDs. For the LM2753, zero duty cycle will turn off the LED and a 50% duty cycle will result in an average I_{OUT} being half of the programmed LED current. For example, if the output is programmed for a maximum of 100mA through the Flash LED, a 50% duty cycle will result in an average I_{LED} of 50mA.

MULTI-LEVEL SWITCH ARRAY.

In order to supply high load currents across the entire V_{IN} operating range, especially at lower V_{IN} , switches in the charge pump are normally designed to have low on-resistance. However at high input voltages and low load currents, this low resistance results in high output voltage ripple due to the output capacitor being charged too quickly. To solve this problem, while still being able to deliver the needed output current, the LM2753 has a switch array with multiple switches connected in parallel.

The number of switches used in parallel depends on the input voltage applied to the LM2753. At lower input voltages all paralleled switches are used, and as the input voltage rises, switches are removed from the parallel configuration. The highest switch resistance is achieved as the input voltage reaches the maximum operating voltage, which helps with voltage management.

THERMAL PROTECTION

When the junction temperature exceeds 140°C (typ.), the LM2753 internal thermal protection circuitry disables the part. This feature protects the device from damage due to excessive power dissipation. The device will recover and operate normally when the junction temperature falls below 125°C (typ.). It is important to have good thermal conduction with a proper layout to reduce thermal resistance.

POWER EFFICIENCY

Charge-Pump efficiency is derived in the following two ideal equations (supply current and other losses are neglected for simplicity):

$$I_{IN} = G \times I_{OUT}$$

$$E = (V_{OUT} \times I_{OUT}) \div (V_{IN} \times I_{IN}) = V_{OUT} \div (G \times V_{IN})$$

In the equations, G represents the charge pump gain. Efficiency is at its highest as $G \times V_{IN}$ approaches V_{OUT} . Refer to the efficiency graph in the [Typical Performance Characteristics](#) section for the detailed efficiency data.

POWER DISSIPATION

The power dissipation ($P_{DISSIPATION}$) and junction temperature (T_J) can be approximated with the equations below. P_{IN} is the product of the input current and input voltage, P_{OUT} is the power consumed by the load connected to the output, T_A is the ambient temperature, and θ_{JA} is the junction-to-ambient thermal resistance for the SON-10 package. V_{IN} is the input voltage to the LM2753, V_{VOUT} is the voltage at the output of the device, and I_{OUT} is the total current supplied to the load(s) connected to both V_{OUT} and I_{OUT} .

$$P_{DISSIPATION} = P_{IN} - P_{OUT}$$

$$= (V_{IN} \times I_{IN}) - (V_{VOUT} \times I_{OUT})$$

$$T_J = T_A + (P_{DISSIPATION} \times \theta_{JA})$$

The junction temperature rating takes precedence over the ambient temperature rating. The LM2753 may be operated outside the ambient temperature rating, so long as the junction temperature of the device does not exceed the maximum operating rating of 120°C. The maximum ambient temperature rating must be derated in applications where high power dissipation and/or poor thermal resistance causes the junction temperature to exceed 120°C.

REVISION HISTORY

Changes from Revision C (May 2013) to Revision D	Page
<hr/> <ul style="list-style-type: none">• Changed layout of National Data Sheet to TI format	<hr/> 10

PACKAGING INFORMATION

Orderable Device	Status (1)	Package Type	Package Drawing	Pins	Package Qty	Eco Plan (2)	Lead/Ball Finish	MSL Peak Temp (3)	Op Temp (°C)	Device Marking (4/5)	Samples
LM2753SD/NOPB	ACTIVE	WSON	DSC	10	1000	Green (RoHS & no Sb/Br)	CU SN	Level-1-260C-UNLIM	-40 to 85	D004B	Samples
LM2753SDX/NOPB	ACTIVE	WSON	DSC	10	4500	Green (RoHS & no Sb/Br)	CU SN	Level-1-260C-UNLIM	-40 to 85	D004B	Samples

(1) The marketing status values are defined as follows:

ACTIVE: Product device recommended for new designs.

LIFEBUY: TI has announced that the device will be discontinued, and a lifetime-buy period is in effect.

NRND: Not recommended for new designs. Device is in production to support existing customers, but TI does not recommend using this part in a new design.

PREVIEW: Device has been announced but is not in production. Samples may or may not be available.

OBSELETE: TI has discontinued the production of the device.

(2) Eco Plan - The planned eco-friendly classification: Pb-Free (RoHS), Pb-Free (RoHS Exempt), or Green (RoHS & no Sb/Br) - please check <http://www.ti.com/productcontent> for the latest availability information and additional product content details.

TBD: The Pb-Free/Green conversion plan has not been defined.

Pb-Free (RoHS): TI's terms "Lead-Free" or "Pb-Free" mean semiconductor products that are compatible with the current RoHS requirements for all 6 substances, including the requirement that lead not exceed 0.1% by weight in homogeneous materials. Where designed to be soldered at high temperatures, TI Pb-Free products are suitable for use in specified lead-free processes.

Pb-Free (RoHS Exempt): This component has a RoHS exemption for either 1) lead-based flip-chip solder bumps used between the die and package, or 2) lead-based die adhesive used between the die and leadframe. The component is otherwise considered Pb-Free (RoHS compatible) as defined above.

Green (RoHS & no Sb/Br): TI defines "Green" to mean Pb-Free (RoHS compatible), and free of Bromine (Br) and Antimony (Sb) based flame retardants (Br or Sb do not exceed 0.1% by weight in homogeneous material)

(3) MSL, Peak Temp. -- The Moisture Sensitivity Level rating according to the JEDEC industry standard classifications, and peak solder temperature.

(4) There may be additional marking, which relates to the logo, the lot trace code information, or the environmental category on the device.

(5) Multiple Device Markings will be inside parentheses. Only one Device Marking contained in parentheses and separated by a "~" will appear on a device. If a line is indented then it is a continuation of the previous line and the two combined represent the entire Device Marking for that device.

Important Information and Disclaimer:The information provided on this page represents TI's knowledge and belief as of the date that it is provided. TI bases its knowledge and belief on information provided by third parties, and makes no representation or warranty as to the accuracy of such information. Efforts are underway to better integrate information from third parties. TI has taken and continues to take reasonable steps to provide representative and accurate information but may not have conducted destructive testing or chemical analysis on incoming materials and chemicals. TI and TI suppliers consider certain information to be proprietary, and thus CAS numbers and other limited information may not be available for release.

In no event shall TI's liability arising out of such information exceed the total purchase price of the TI part(s) at issue in this document sold by TI to Customer on an annual basis.

TAPE AND REEL INFORMATION



QUADRANT ASSIGNMENTS FOR PIN 1 ORIENTATION IN TAPE



*All dimensions are nominal

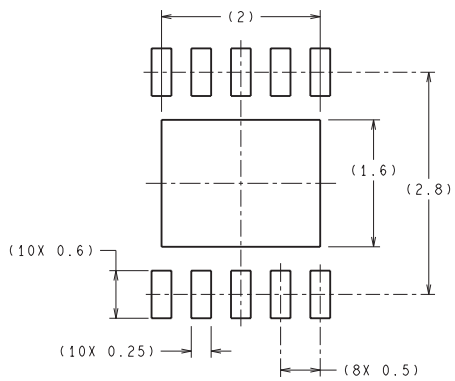
Device	Package Type	Package Drawing	Pins	SPQ	Reel Diameter (mm)	Reel Width W1 (mm)	A0 (mm)	B0 (mm)	K0 (mm)	P1 (mm)	W (mm)	Pin1 Quadrant
LM2753SD/NOPB	WSON	DSC	10	1000	178.0	12.4	3.3	3.3	1.0	8.0	12.0	Q1
LM2753SDX/NOPB	WSON	DSC	10	4500	330.0	12.4	3.3	3.3	1.0	8.0	12.0	Q1

TAPE AND REEL BOX DIMENSIONS

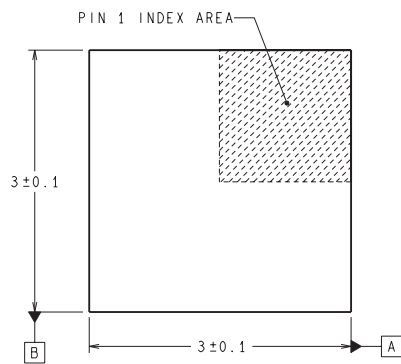

*All dimensions are nominal

Device	Package Type	Package Drawing	Pins	SPQ	Length (mm)	Width (mm)	Height (mm)
LM2753SD/NOPB	WSON	DSC	10	1000	210.0	185.0	35.0
LM2753SDX/NOPB	WSON	DSC	10	4500	367.0	367.0	35.0

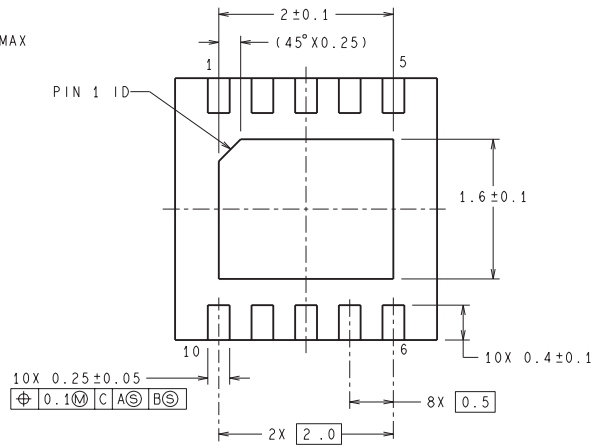
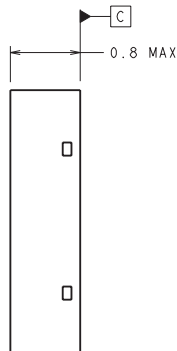
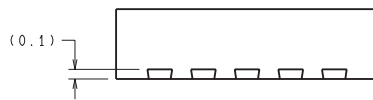
DSC0010A



RECOMMENDED LAND PATTERN



DIMENSIONS ARE IN MILLIMETERS
DIMENSIONS IN () FOR REFERENCE ONLY



SDA10A (Rev A)

IMPORTANT NOTICE

Texas Instruments Incorporated and its subsidiaries (TI) reserve the right to make corrections, enhancements, improvements and other changes to its semiconductor products and services per JESD46, latest issue, and to discontinue any product or service per JESD48, latest issue. Buyers should obtain the latest relevant information before placing orders and should verify that such information is current and complete. All semiconductor products (also referred to herein as "components") are sold subject to TI's terms and conditions of sale supplied at the time of order acknowledgment.

TI warrants performance of its components to the specifications applicable at the time of sale, in accordance with the warranty in TI's terms and conditions of sale of semiconductor products. Testing and other quality control techniques are used to the extent TI deems necessary to support this warranty. Except where mandated by applicable law, testing of all parameters of each component is not necessarily performed.

TI assumes no liability for applications assistance or the design of Buyers' products. Buyers are responsible for their products and applications using TI components. To minimize the risks associated with Buyers' products and applications, Buyers should provide adequate design and operating safeguards.

TI does not warrant or represent that any license, either express or implied, is granted under any patent right, copyright, mask work right, or other intellectual property right relating to any combination, machine, or process in which TI components or services are used. Information published by TI regarding third-party products or services does not constitute a license to use such products or services or a warranty or endorsement thereof. Use of such information may require a license from a third party under the patents or other intellectual property of the third party, or a license from TI under the patents or other intellectual property of TI.

Reproduction of significant portions of TI information in TI data books or data sheets is permissible only if reproduction is without alteration and is accompanied by all associated warranties, conditions, limitations, and notices. TI is not responsible or liable for such altered documentation. Information of third parties may be subject to additional restrictions.

Resale of TI components or services with statements different from or beyond the parameters stated by TI for that component or service voids all express and any implied warranties for the associated TI component or service and is an unfair and deceptive business practice. TI is not responsible or liable for any such statements.

Buyer acknowledges and agrees that it is solely responsible for compliance with all legal, regulatory and safety-related requirements concerning its products, and any use of TI components in its applications, notwithstanding any applications-related information or support that may be provided by TI. Buyer represents and agrees that it has all the necessary expertise to create and implement safeguards which anticipate dangerous consequences of failures, monitor failures and their consequences, lessen the likelihood of failures that might cause harm and take appropriate remedial actions. Buyer will fully indemnify TI and its representatives against any damages arising out of the use of any TI components in safety-critical applications.

In some cases, TI components may be promoted specifically to facilitate safety-related applications. With such components, TI's goal is to help enable customers to design and create their own end-product solutions that meet applicable functional safety standards and requirements. Nonetheless, such components are subject to these terms.

No TI components are authorized for use in FDA Class III (or similar life-critical medical equipment) unless authorized officers of the parties have executed a special agreement specifically governing such use.

Only those TI components which TI has specifically designated as military grade or "enhanced plastic" are designed and intended for use in military/aerospace applications or environments. Buyer acknowledges and agrees that any military or aerospace use of TI components which have **not** been so designated is solely at the Buyer's risk, and that Buyer is solely responsible for compliance with all legal and regulatory requirements in connection with such use.

TI has specifically designated certain components as meeting ISO/TS16949 requirements, mainly for automotive use. In any case of use of non-designated products, TI will not be responsible for any failure to meet ISO/TS16949.

Products

Audio	www.ti.com/audio
Amplifiers	amplifier.ti.com
Data Converters	dataconverter.ti.com
DLP® Products	www.dlp.com
DSP	dsp.ti.com
Clocks and Timers	www.ti.com/clocks
Interface	interface.ti.com
Logic	logic.ti.com
Power Mgmt	power.ti.com
Microcontrollers	microcontroller.ti.com
RFID	www.ti-rfid.com
OMAP Applications Processors	www.ti.com/omap
Wireless Connectivity	www.ti.com/wirelessconnectivity

Applications

Automotive and Transportation	www.ti.com/automotive
Communications and Telecom	www.ti.com/communications
Computers and Peripherals	www.ti.com/computers
Consumer Electronics	www.ti.com/consumer-apps
Energy and Lighting	www.ti.com/energy
Industrial	www.ti.com/industrial
Medical	www.ti.com/medical
Security	www.ti.com/security
Space, Avionics and Defense	www.ti.com/space-avionics-defense
Video and Imaging	www.ti.com/video

TI E2E Community

e2e.ti.com

AMEYA360

Components Supply Platform

Authorized Distribution Brand :



Website :

Welcome to visit www.ameya360.com

Contact Us :

➤ Address :

401 Building No.5, JiuGe Business Center, Lane 2301, Yishan Rd
Minhang District, Shanghai , China

➤ Sales :

Direct +86 (21) 6401-6692

Email amall@ameya360.com

QQ 800077892

Skype [ameyasales1](#) [ameyasales2](#)

➤ Customer Service :

Email service@ameya360.com

➤ Partnership :

Tel +86 (21) 64016692-8333

Email mkt@ameya360.com