

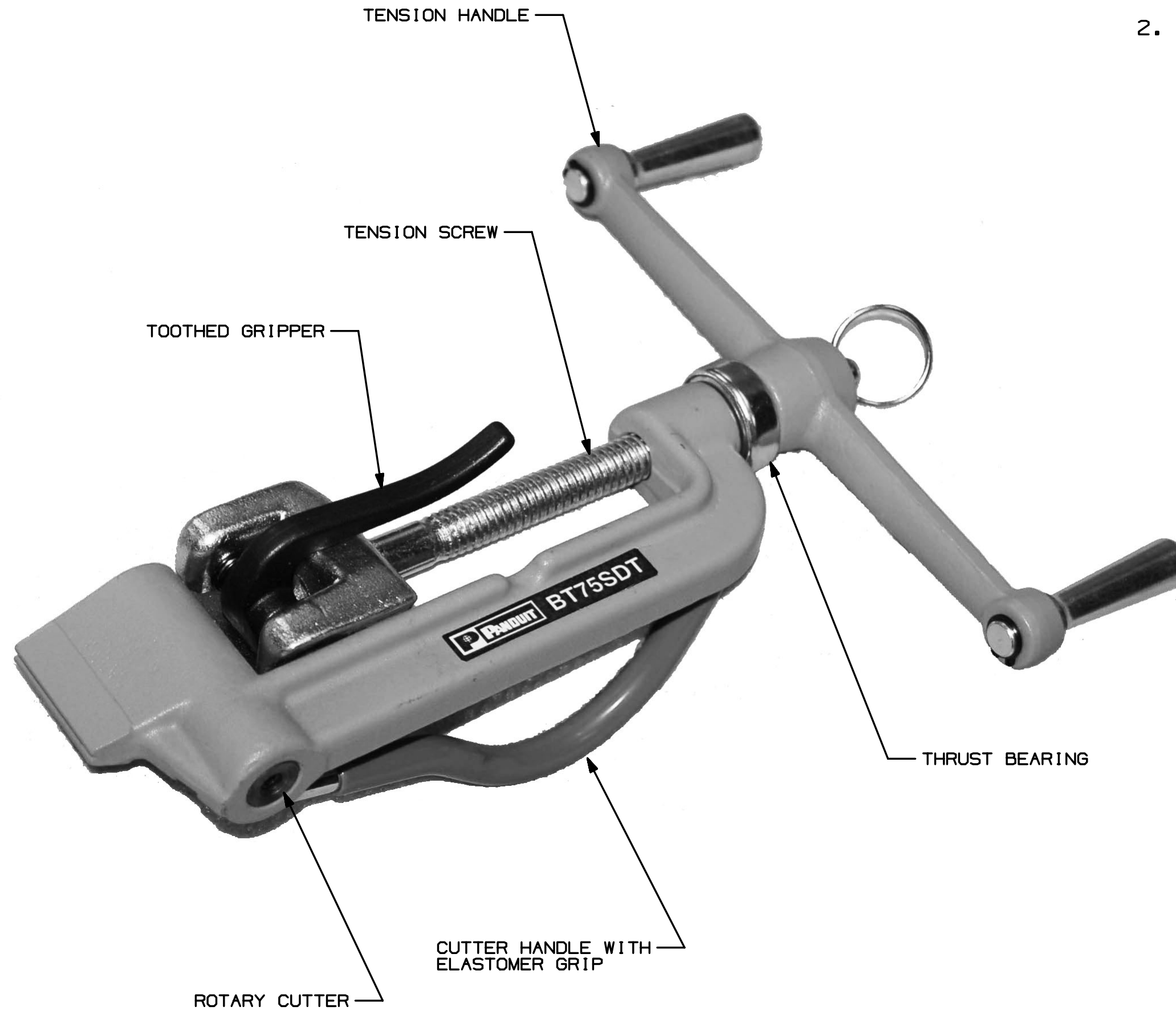
**NOTES:**

**1. SPECIFICATIONS:**

STROKE:	3.25 IN. (82.5 mm)
LENGTH:	11.5 IN. (292 mm)
MAX. LENGTH:	15.0 IN. (381 mm)
HANDLE WIDTH:	8.0 IN. (203 mm)
WEIGHT:	4.4 LB. (2.0 kg)
MAX APPLIED STRAP TENSION:	2500 LB. (1134 kg)
MAX HANDLE FORCE:	46 LB. (20.9 kg)
COLOR:	BLUE

**2. PANDUIT BT75SDT USES:**

INSTALL 0.75" (19.1MM) WIDTH STRAPPING ONLY.



										CAD FILENAME/LAYERS		R26069BA_TM26069C01/01A	
										<b>PANDUIT</b> CORP TINLEY PARK, ILLINOIS			
										BT75SDT * CUSTOMER DRAWING			
										UNLESS OTHERWISE SPECIFIED, DIMENSIONAL TOLERANCES ARE: (.X) ± -- (.XXX) ± -- (.XX) ± -- ANGLES ± --		UNLESS OTHERWISE SPECIFIED, ALL DIMENSIONS ARE GIVEN IN INCHES, THIRD ANGLE PROJECTION	
01	8-5-13	JEH	LSF	UPDATED NOTES	4812	--	LSF	DRAWN BY PWG	MAT'L:		SCALE NONE		
00	04-30-09	PWG	ABJ	RELEASED	4377	--	ABJ	DATE 04-30-09	-----		DRAWING NO.	DWG C	
REV	DATE	BY	CHK	DESCRIPTION	ECN	R	CUST	SUP	CHK'D ABJ	TM26069C01		SIZE C	

Authorized Distribution Brand :



Website :

Welcome to visit [www.ameya360.com](http://www.ameya360.com)

Contact Us :

➤ Address :

401 Building No.5, JiuGe Business Center, Lane 2301, Yishan Rd  
Minhang District, Shanghai , China

➤ Sales :

Direct +86 (21) 6401-6692

Email [amall@ameya360.com](mailto:amall@ameya360.com)

QQ 800077892

Skype ameyasales1 ameyasales2

➤ Customer Service :

Email [service@ameya360.com](mailto:service@ameya360.com)

➤ Partnership :

Tel +86 (21) 64016692-8333

Email [mkt@ameya360.com](mailto:mkt@ameya360.com)