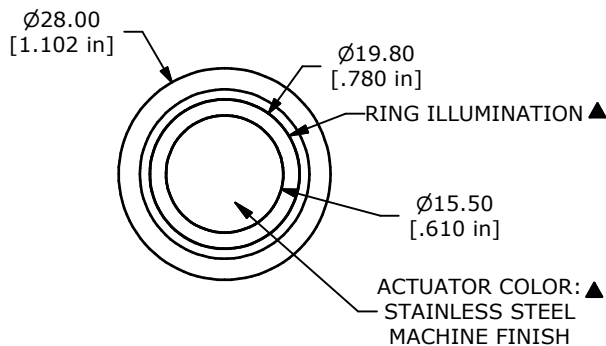


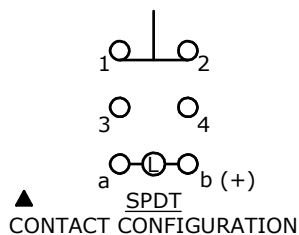
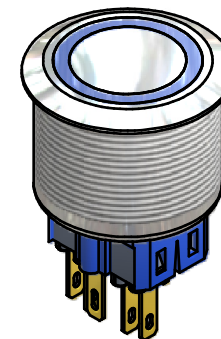
PANEL CUTOUT  
MAX. PANEL THICKNESS 10mm

SWITCH FUNCTION ▲	
POS. 1	POS. 2
ON	(ON)
1-2	3-4

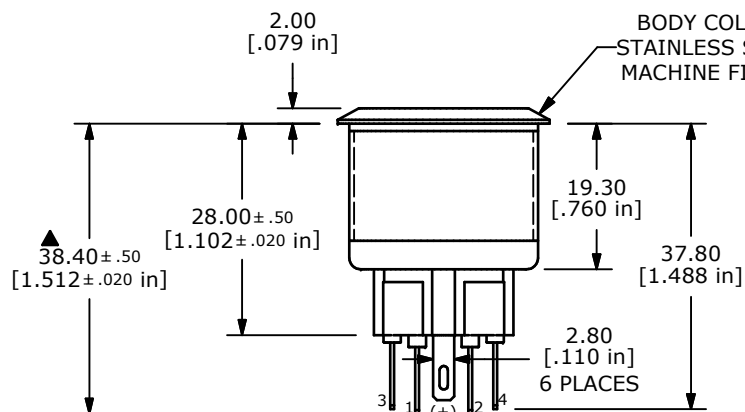
(ON) = MOMENTARY



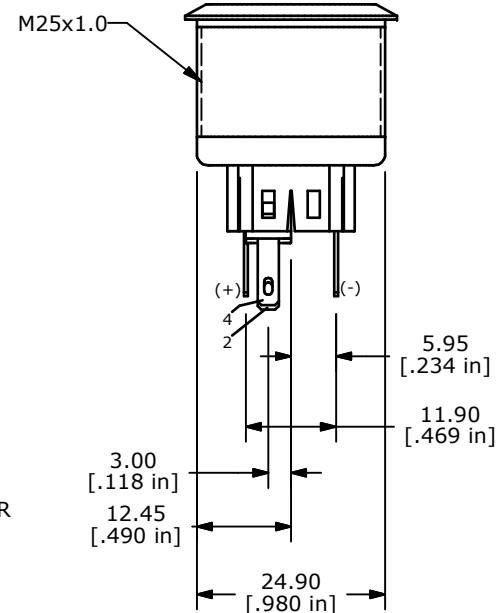
ACTUATOR COLOR: ▲  
STAINLESS STEEL  
MACHINE FINISH



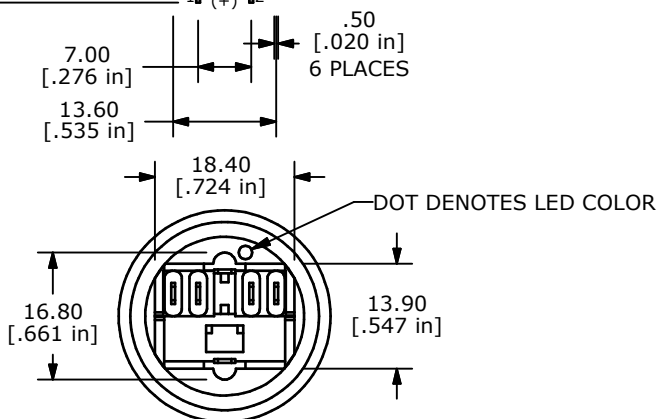
▲ SPDT  
CONTACT CONFIGURATION



BODY COLOR: ▲  
STAINLESS STEEL  
MACHINE FINISH



- NOTE:
- ALL DIMENSIONS IN MM [INCH]
  - GENERAL TOLERANCE: X.X = ± 0.4  
X.XX = ± 0.25
  - TERMINAL NOS. FOR REF. ONLY
  - FUNCTION: SPDT
  - RATING: 2A @ 48VDC
  - ILLUMINATION VOLTAGE: 125 V
  - CONTACT RESISTANCE: 50mΩ MAX. @ 1A 12VDC
  - INSULATION RESISTANCE: 1,000MΩ @ 500VDC
  - DIELECTRIC STRENGTH: 2,000VAC MIN. FOR 1 MINUTE
  - ELECTRICAL LIFE: 50,000 CYCLES
  - OPERATING TEMPERATURE: -20°C TO 55°C
  - INGRESS PROTECTION: IP65
  - ▲ DENOTES CRITICAL PARAMETER
  - 2011/65/EU (ROHS) COMPLIANT
  - ILLUMINATION COLOR: BLUE (FORWARD), BLUE (REVERSE)



DOT DENOTES LED COLOR



TITLE PV8F2Y0SS-346

A	20835	RELEASE FOR PRODUCTION	10/19/12	EBP
REV	PCR NO	DESCRIPTION	DATE	BY

THE INFORMATION CONTAINED IN THIS DOCUMENT IS PROPRIETARY TO E-SWITCH AND IS NOT TO BE COPIED OR TRANSFERRED

SCALE	DATE	DR	DWG	REV
	10/19/2012	EBP	52-PV8F2Y0SS346	A

# AMEYA360

## Components Supply Platform

Authorized Distribution Brand :



Website :

Welcome to visit [www.ameya360.com](http://www.ameya360.com)

Contact Us :

➤ Address :

401 Building No.5, JiuGe Business Center, Lane 2301, Yishan Rd  
Minhang District, Shanghai , China

➤ Sales :

Direct +86 (21) 6401-6692

Email [amall@ameya360.com](mailto:amall@ameya360.com)

QQ 800077892

Skype [ameyasales1](#) [ameyasales2](#)

➤ Customer Service :

Email [service@ameya360.com](mailto:service@ameya360.com)

➤ Partnership :

Tel +86 (21) 64016692-8333

Email [mkt@ameya360.com](mailto:mkt@ameya360.com)