

GENERAL DESCRIPTION

The SOLO series 9188 is a one-piece connector used to connect two PCBs in a cost effective manner.

A standard range is available with 4, 6, 8 staggered contacts to suit stack heights of 1.1mm to 2.1mm (see table below).

SOLO Stacker is designed for PCB surface mounting and is supplied in tape and reel packaging. Gold plated pads on the mating PCB or suitable flex circuits provide connection between the two boards.

APPLICATIONS

Suitable applications include:

- Handheld Devices:
 - Phones
 - Scanners
 - Radios
 - Medical Diagnostic
 - Security Devices

KEY FEATURES AND BENEFITS

Single piece connector – no mating half required to connect two boards together which means:

- Reduced assembly time
- Only one part to purchase and stock
- Due to the unique contact design, the mating device does not have to be parallel
- Helps reduce tolerance accumulation within system



HOW TO ORDER

00
|
Prefix

9188
|
Series

004
|
No. of Ways

Code	No. of Ways
004	4
006	6
008	8

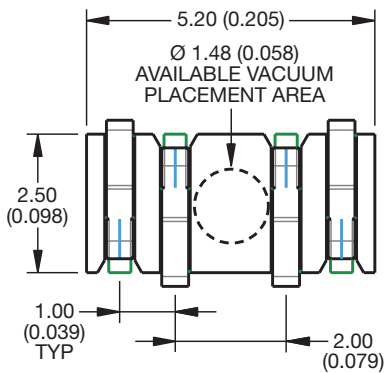
012
|
Stack Height

Code	Height	No. of Ways
012	1.1mm to 1.3mm	4 only
020	1.9mm to 2.1mm	6 & 8 only

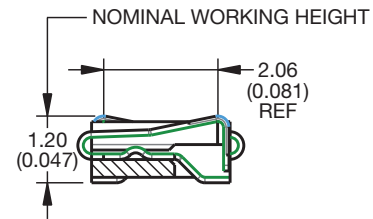
062
|
Plating Variation

06 = Selective Gold
0.25µm
Gold Plated
Contact Nose,
Pure Tin Tail
No Bosses

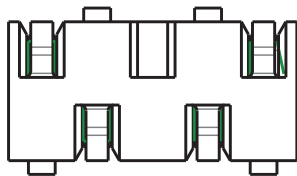
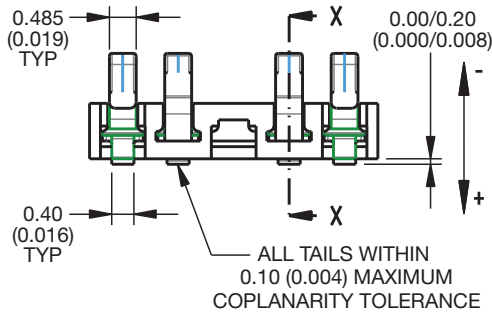
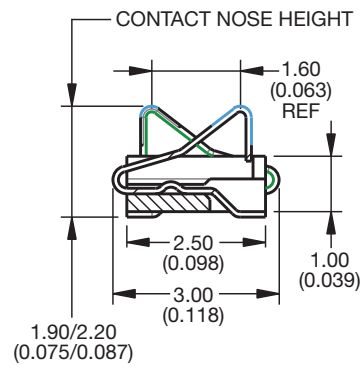
4 Way Staggered Stacker



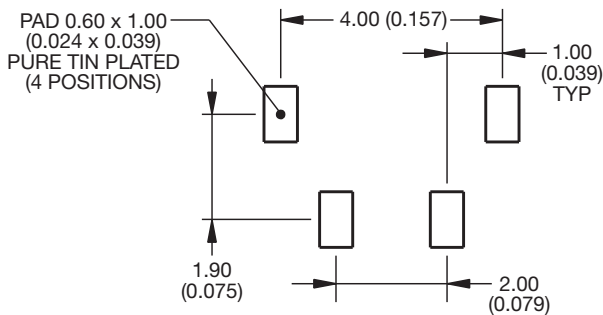
MATING CONDITION



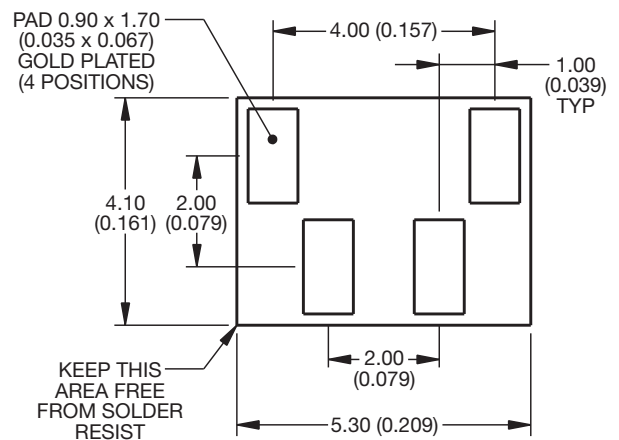
SECTION ON X - X



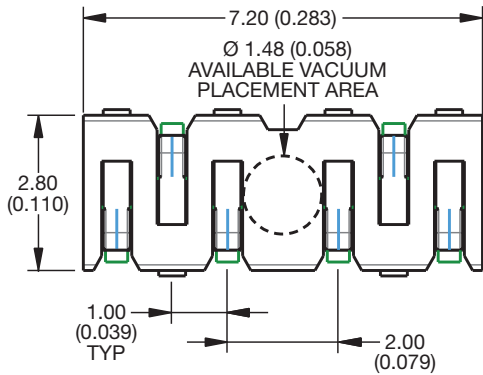
SMT PCB FOOTPRINT



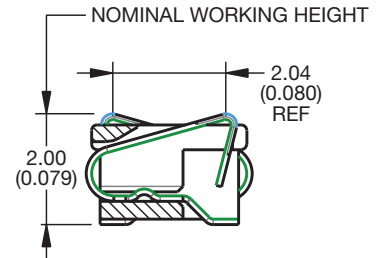
MATING PCB FOOTPRINT



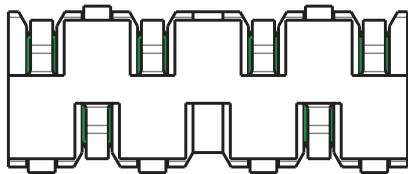
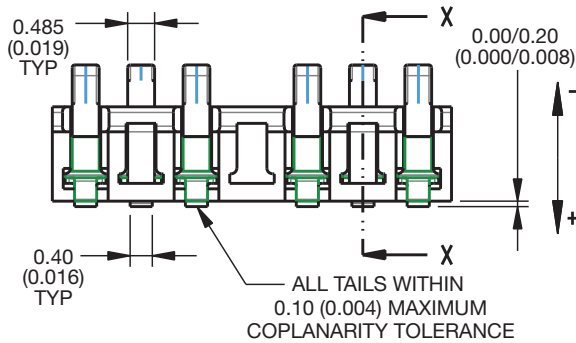
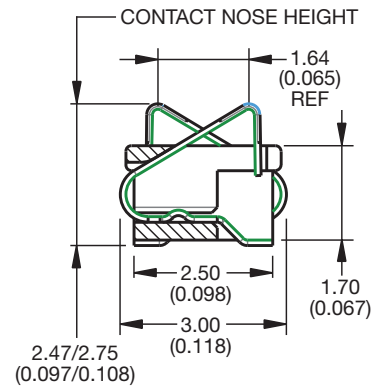
6 Way Staggered Stacker



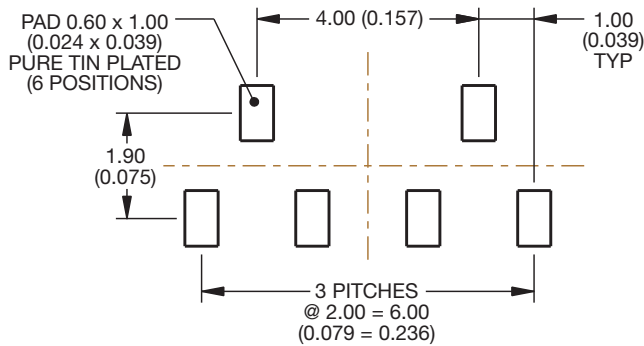
MATING CONDITION



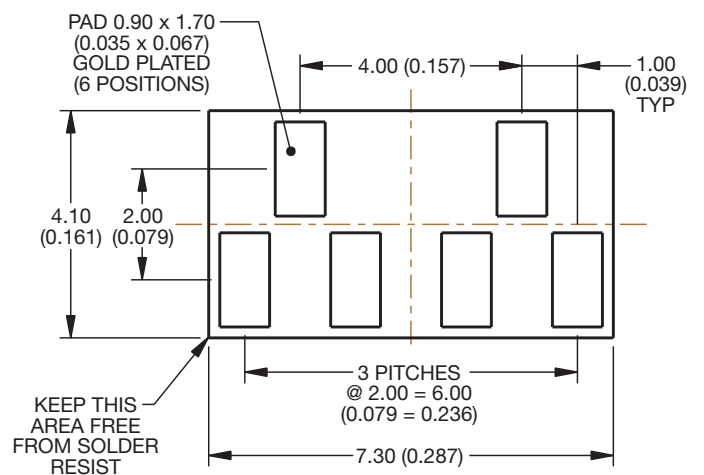
SECTION ON X - X



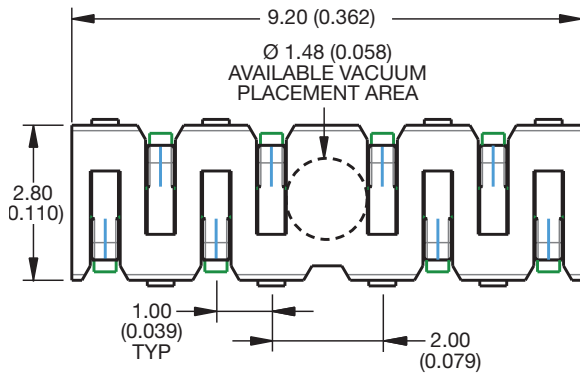
SMT PCB FOOTPRINT



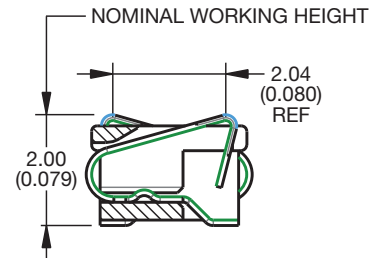
MATING PCB FOOTPRINT



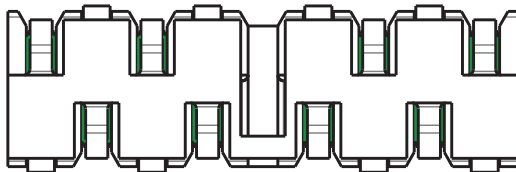
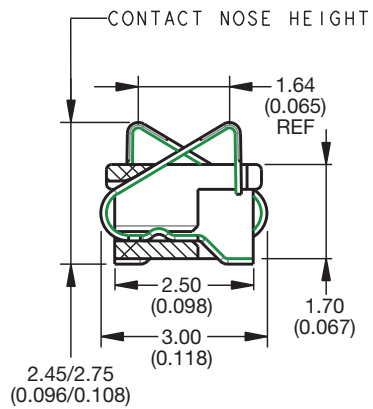
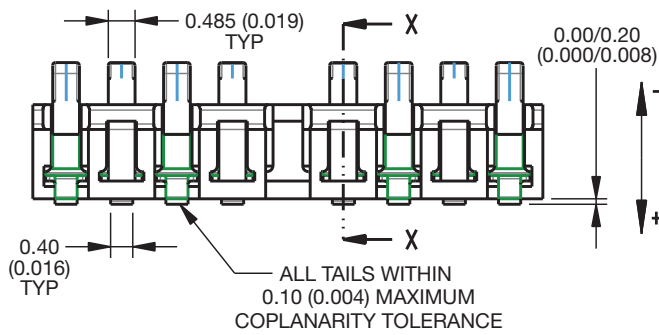
8 Way Staggered Stacker



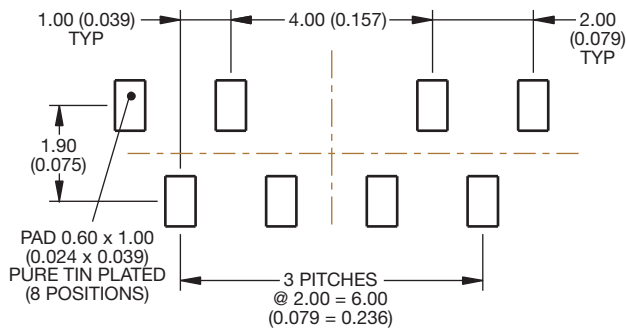
MATING CONDITION



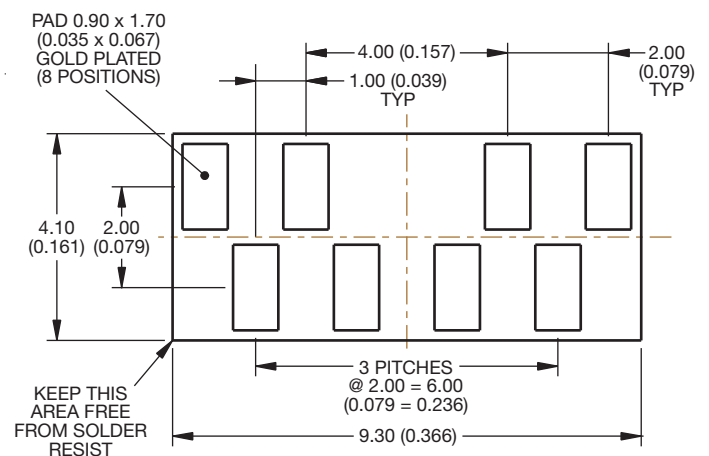
SECTION ON X - X



SMT PCB FOOTPRINT



MATING PCB FOOTPRINT



AMEYA360

Components Supply Platform

Authorized Distribution Brand :



Website :

Welcome to visit www.ameya360.com

Contact Us :

➤ Address :

401 Building No.5, JiuGe Business Center, Lane 2301, Yishan Rd
Minhang District, Shanghai , China

➤ Sales :

Direct +86 (21) 6401-6692

Email amall@ameya360.com

QQ 800077892

Skype [ameyasales1](#) [ameyasales2](#)

➤ Customer Service :

Email service@ameya360.com

➤ Partnership :

Tel +86 (21) 64016692-8333

Email mkt@ameya360.com