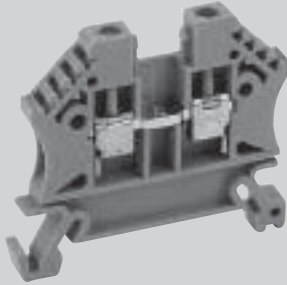


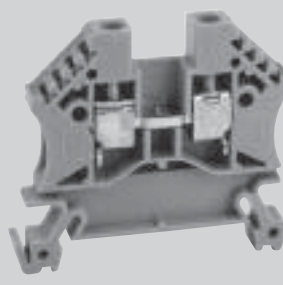
## Screw Connection Single Level

- **Plastic Body:** Polyamide 6.6
- **Internal Bus:** Nickel-plated brass
- **Clamp:** Hardened steel, electro-plated with zinc yellow-chromated
- **Screws:** Steel, zinc-plated and yellow-chromated
- **Marking:** 4 slots on both sides
- **Tracking Resistance:**  
IEC 112: CTI > 600  
VDE 0303: KB > 600

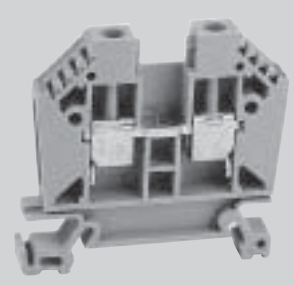
### 6102000 2.5/5 Feed Through






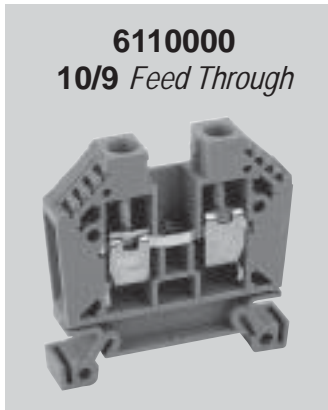
### 6104000 4/6 Feed Through



### 6106000 6/8 Feed Through



Dimensions	44 mm (L) x 36 mm (H) x 5 mm (W)	44 mm (L) x 36 mm (H) x 6 mm (W)	50 mm (L) x 44 mm (H) x 7 mm (W)
Opening	3.6 x 2.6 mm	4 x 3.3 mm	5 x 4 mm
Stripping Length	10 mm	10 mm	12 mm
Screw Thread	M 2.6	M 3	M 3.5
Central Thread	M 2.5	M 3	M 3
Connecting Capacity	Solid conductors mm <sup>2</sup> 0.5-4 Stranded conductors mm <sup>2</sup> 0.5-2.5	Solid conductors mm <sup>2</sup> 0.5-4 Stranded conductors mm <sup>2</sup> 0.5-4	Solid conductors mm <sup>2</sup> 0.5-10 Stranded conductors mm <sup>2</sup> 0.5-6
Conductors with Ferrules	DIN 46288 / 1 mm <sup>2</sup> 0.5-2.5	DIN 46288 / 1 mm <sup>2</sup> 0.5-4	DIN 46288 / 1 mm <sup>2</sup> 0.5-6
Number of Connectable Conductors	2 x 1.5 mm <sup>2</sup> 4 x 1.0 mm <sup>2</sup>	4 x 1.5 mm <sup>2</sup>	2 x 4 mm <sup>2</sup>
Approvals			
Wire Range	24-12 AWG   24-12 AWG   2.5 mm <sup>2</sup>	24-10 AWG   24-10 AWG   4 mm <sup>2</sup>	22-8 AWG   22-8 AWG   10 mm <sup>2</sup>
Voltage Rating	600V   600V   800V	600V   600V   800V	600V   600V   800V
Current Rating	20A   20A   20A	30A   30A   32A	50A   50A   41A
Tightening Torque	Max. 0.5 Nm	Max. 0.6 Nm	Max. 1.2 Nm
Gauges	A3	A4	A5
ACCESSORIES	<b>Cat. No.</b>	<b>Cat. No.</b>	<b>Cat. No.</b>
Available Colors	6102000 – Gray 6102001 – Blue 6102002 – Black 6102003 – Brown 6102004 – Yellow-Green 6102005 – Green 6102006 – Yellow 6102007 – Orange 6102008 – Red 6102009 – White	6104000 – Gray 6104001 – Blue 6104002 – Black 6104003 – Brown 6104004 – Yellow-Green 6104005 – Green 6104006 – Yellow 6104007 – Orange 6104008 – Red 6104009 – White	6106000 – Gray 6106001 – Blue 6106004 – Yellow-Green 6106005 – Green 6106006 – Yellow 6106007 – Orange 6106008 – Red
End Plate Qty. pk. 10	6800010 – 44 mm (L) x 35 mm (H) x 1.5 mm (W)	6800010 – 44 mm (L) x 35 mm (H) x 1.5 mm (W)	6800011 – 50 mm (L) x 43 mm (H) x 1.5 mm (W)
Separator Qty. pk. 100	6800051 – 55 mm (L) x 44 mm (H) x 1.5 mm (W)	6800051 – 55 mm (L) x 44 mm (H) x 1.5 mm (W)	6800050 – 55 mm (L) x 49 mm (H) x 1.5 mm (W)
Cover Qty. pk. 100	6800075 – 47 mm (L) x 24.5 mm (H) x 4.8 mm (W)	6800076 – 47 mm (L) x 24.5 mm (H) x 5.8 mm (W)	6800077 – 53 mm (L) x 26 mm (H) x 6.8 mm (W)
Jumper-Bar Package	6800110 – .5M Jumper Bar	6800120 – .5M Jumper Bar	6800130 – .5M Jumper Bar
Jumpers 2 pole	6800102 – 100 pieces	6800112 – 100 pieces	6800122 – 100 pieces
3 pole	6800103 – 100 pieces	6800113 – 100 pieces	6800123 – 100 pieces
4 pole	6800104 – 100 pieces	6800114 – 100 pieces	6800124 – 100 pieces
End Bracket Qty. pk. 100	6804150 – 58 mm (L) x 36 mm (H) x 9 mm (W)	6804150 – 58 mm (L) x 36 mm (H) x 9 mm (W)	6804150 – 58 mm (L) x 36 mm (H) x 9 mm (W)
Test Plug Adapter (red)		6800501 – dia. 2.8 mm	6800501 – dia. 2.8 mm
Test Plug Adapter (black)		6800500 – dia. 2.8 mm	6800500 – dia. 2.8 mm



**6110000**  
10/9 Feed Through

50 mm (L) x 44 mm (H) x 9 mm (W)
6 x 5.5 mm
12 mm
M 4
M 3
Solid conductors mm <sup>2</sup> 1.5-16 Stranded conductors mm <sup>2</sup> 1.5-10
DIN 46288 / 1 mm <sup>2</sup> 1.5-10
2 x 6 mm <sup>2</sup>

20-6 AWG	20-6 AWG	10 mm <sup>2</sup>
600V	600V	800V
65A	65A	57A

Max 2.0 Nm
B6
<b>Cat. No.</b>

- 6110000 – Gray
- 6110001 – Blue
- 6110004 – Yellow-Green
- 6110005 – Green
- 6110006 – Yellow
- 6110007 – Orange



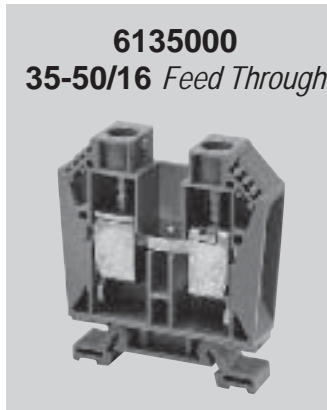
**6116000**  
16-25/12 Feed Through

56 mm (L) x 49 mm (H) x 12 mm (W)
7 x 7.4 mm
14 mm
M 5
M 4
Solid conductors mm <sup>2</sup> 1.5-25 Stranded conductors mm <sup>2</sup> 1.5-10
DIN 46288 / 1 mm <sup>2</sup> 1.5-25
2 x 10 mm <sup>2</sup>

14-4 AWG	14-4 AWG	25 mm <sup>2</sup>
600V	600V	800V
85A	85A	101A

Max 3.0 Nm
B7
<b>Cat. No.</b>

- 6116000 – Gray
- 6116001 – Blue
- 6116004 – Yellow-Green
- 6116006 – Yellow



**6135000**  
35-50/16 Feed Through

62 mm (L) x 61 mm (H) x 16 mm (W)
11 x 10 mm
17 mm
M 6
M 4
Solid conductors mm <sup>2</sup> 2.5-50 Stranded conductors mm <sup>2</sup> 2.5-50
DIN 46288 / 1 mm <sup>2</sup> 2.5-50
2 x 25 mm <sup>2</sup>

14-1/0 AWG	14-1/0 AWG	50 mm <sup>2</sup>
600V	600V	800V
130A	130A	150A

Max 5.0 Nm
B9
<b>Cat. No.</b>

- 6135000 – Gray
- 6135001 – Blue
- 6135004 – Yellow-Green
- 6135006 – Yellow
- 6135008 – Red



**6170000**  
70/26 Feed Through

74 mm (L) x 75 mm (H) x 26 mm (W)
15.5 x 16.5 mm
26 mm
M 3
M 3
Solid conductors mm <sup>2</sup> 16-70 Stranded conductors mm <sup>2</sup> 16-70
DIN 46288 / 1 mm <sup>2</sup> 16-70
2 x 50 mm <sup>2</sup>

4-3/0 AWG	14-3/0 AWG	70 mm <sup>2</sup>
600V	600V	800V
185A	185A	192A

Max 10.0 Nm
B11
<b>Cat. No.</b>

- 6170000 – Gray
- 6170001 – Blue
- 6170004 – Yellow-Green
- 6170006 – Yellow

<b>6800011</b> – 50 mm (L) x 43 mm (H) x 1.5 mm (W)
<b>6800050</b> – 55 mm (L) x 49 mm (H) x 1.5 mm (W)
<b>6800077</b> – 53 mm (L) x 26 mm (H) x 6.8 mm (W)
<b>6800140</b> – .5M Jumper Bar
<b>6800132</b> – 100 pieces
<b>6800133</b> – 100 pieces
<b>6800134</b> – 100 pieces
<b>6804150</b> – 58 mm (L) x 36 mm (H) x 9 mm (W)
<b>6800501</b> – dia. 2.8 mm
<b>6800500</b> – dia. 2.8 mm

<b>6800012</b> – 44 mm (L) x 35 mm (H) x 1.5 mm (W)
<b>6800078</b> – 59 mm (L) x 26 mm (H) x 11.5 mm (W)
<b>6800150</b> – .5M Jumper Bar
<b>6800142</b> – 100 pieces
<b>6800143</b> – 100 pieces
<b>6800144</b> – 100 pieces
<b>6804150</b> – 58 mm (L) x 36 mm (H) x 9 mm (W)

<b>6800013</b> – 62 mm (L) x 60 mm (H) x 1.5 mm (W)
<b>6800079</b> – 59 mm (L) x 26 mm (H) x 15.5 mm (W)
<b>6800160</b> – .5M Jumper Bar
<b>6800152</b> – 100 pieces
<b>6800153</b> – 100 pieces
<b>6800154</b> – 100 pieces
<b>6804150</b> – 58 mm (L) x 36 mm (H) x 9 mm (W)

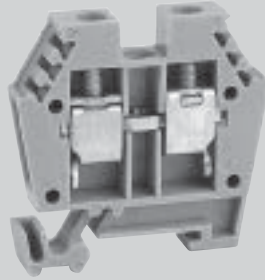
<b>6804150</b> – 58 mm (L) x 36 mm (H) x 9 mm (W)
---

Dimensions are in inches and millimeters unless otherwise specified. Values in parentheses are metric equivalents.

## Screw Connection Single Level

- **Plastic Body:** Polyamide 6.6
- **Internal Bus:** Nickel-plated brass
- **Clamp:** Hardened steel, electro-plated with zinc yellow-chromated
- **Screws:** Steel, zinc-plated and yellow-chromated
- **Marking:** 4 slots on both sides
- **Tracking Resistance:**  
IEC 112: CTI > 600  
VDE 0303: KB > 600

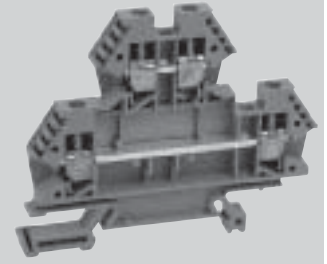
## 6504000 4/15 Mini Feed Through



## Screw Connection Dual Level

- **Plastic Body:** Polyamide 66.6 VO
- **Internal Bus:** Silver plated copper
- **Clamp:** Hardened steel, electro-plated with zinc yellow chromated
- **Screws:** Steel, zinc plated and yellow chromated
- **Marking:** 4 slots on both sides
- **Tracking Resistance:**  
IEC 112: CTI > 600  
VDE 0303: KB > 600

## 6204000 D 4-2/6 Feed Through



Dimensions	32 mm (L) x 28 mm (H) x 6 mm (W)			Dimensions	72 mm (L) x 55 mm (H) x 6 mm (W)		
Opening	4 x 3.3 mm			Opening	4 x 3.3 mm		
Stripping Length	10 mm			Stripping Length	10 mm		
Screw Thread	M 3			Terminal Screw	M 3		
Central Thread				Terminal Screw			
Connecting Capacity	Solid conductors mm <sup>2</sup> 0.5-6 Stranded conductors mm <sup>2</sup> 0.5-4			Connecting Capacity	Solid conductors mm <sup>2</sup> 0.5-6 Stranded conductors mm <sup>2</sup> 0.5-4		
Conductors with Ferrules	DIN 46288 / 1 mm <sup>2</sup> 0.5-4			Conductors with Ferrules	DIN 46288 / 1 mm <sup>2</sup> 0.5-4		
Number of Connectable Conductors	4 x 1.5 mm <sup>2</sup>			Number of Connectable Conductors	4 x 1.5 mm <sup>2</sup>		
Approvals				Approvals			
Wire Range	24-10 AWG	24-10 AWG	4 mm <sup>2</sup>	Wire Range	24-10 AWG	24-10 AWG	4 mm <sup>2</sup>
Voltage Rating	300V	300V	400V	Voltage Rating	600V	600V	800V
Current Rating	30A	30A	32A	Current Rating	30A	30A	32A
Tightening Torque	Max. 0.6 Nm			Tightening Torque	Max. 0.6 Nm		
Gauges	A4			Gauges	A4		
ACCESSORIES	<b>Cat. No.</b>			ACCESSORIES	<b>Cat. No.</b>		
Available Colors	6504000 – Gray 6504001 – Blue 6504002 – Black 6504004 – Yellow-Green 6504005 – Green 6504006 – Yellow 6504007 – Orange 6504008 – Red			Available Colors	6204000 – Gray 6204001 – Blue 6204002 – Black 6204003 – Brown 6204004 – Yellow-Green 6204005 – Green 6204006 – Yellow 6204007 – Orange 6204008 – Red 6204009 – White		
End Plate Qty. pk. 10	6800017 – 44 mm (L) x 35 mm (H) x 1.5 mm (W)			End Plate Qty. pk. 10	6800014 – 72 mm (L) x 55 mm (H) x 1.5 mm (W)		
Separator Qty. pk. 100				Cover Qty. pk. 100	6800080 – 36 mm (L) x 14 mm (H) x 6 mm (W)		
Cover Qty. pk. 100	6800081 – 47 mm (L) x 24.5 mm (H) x 4.8 mm (W)			Jumper-Bar Package	6800190 – .5M Jumper Bar		
Jumper-Bar Package	6800190 – .5M Jumper Bar			Jumpers 2 pole 3 pole 4 pole	6800182 – 100 pieces 6800183 – 100 pieces 6800184 – 100 pieces		
Jumpers 2 pole 3 pole 4 pole	6800182 – 100 pieces 6800183 – 100 pieces 6800184 – 100 pieces			End Bracket Qty. pk. 100	6804150 – 58 mm (L) x 36 mm (H) x 9 mm (W)		
End Bracket Qty. pk. 100	6804500 – 25 mm (L) x 16 mm (H) x 7 mm (W)			Test plug adapter (red)	6800501		
Test plug adapter (red)				Test plug adapter (black)	6800500		
Test plug adapter (black)				Test plug adapter (black)			

# AMEYA360

## Components Supply Platform

Authorized Distribution Brand :



Website :

Welcome to visit [www.ameya360.com](http://www.ameya360.com)

Contact Us :

➤ Address :

401 Building No.5, JiuGe Business Center, Lane 2301, Yishan Rd  
Minhang District, Shanghai , China

➤ Sales :

Direct +86 (21) 6401-6692

Email [amall@ameya360.com](mailto:amall@ameya360.com)

QQ 800077892

Skype [ameyasales1](#) [ameyasales2](#)

➤ Customer Service :

Email [service@ameya360.com](mailto:service@ameya360.com)

➤ Partnership :

Tel +86 (21) 64016692-8333

Email [mkt@ameya360.com](mailto:mkt@ameya360.com)