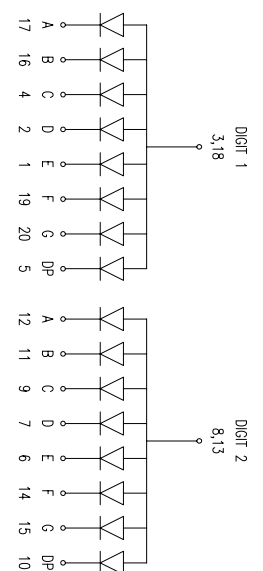
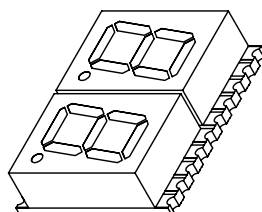
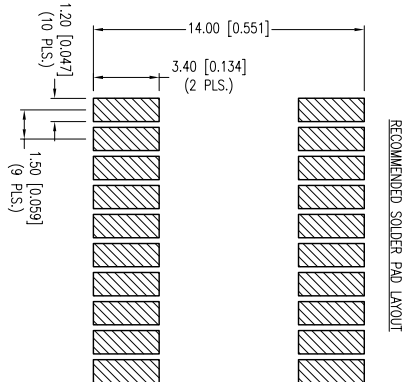
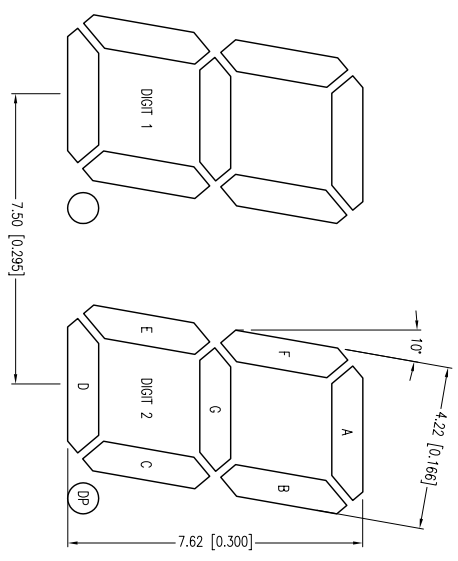
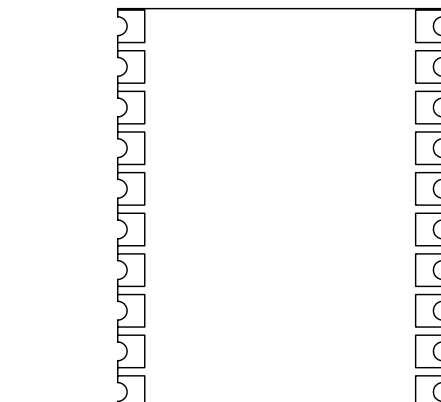
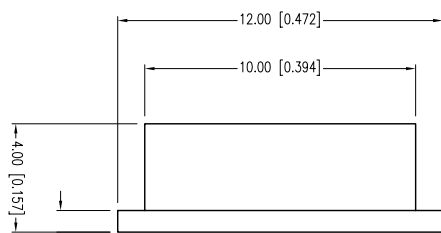
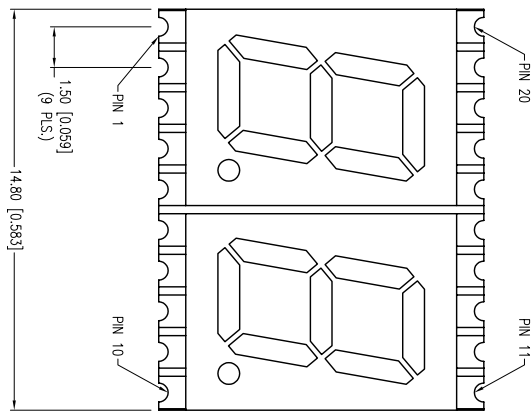


| | | | |
|---------------|--------------------------|------|---|
| PART NUMBER | LDD-SMHTA304RIS1TR | REV. | A |
| DATE | 03/26/12 | REV. | A |
| E.C.N. #11811 | CHANGE PART DESCRIPTION. | | |



ELECTRO-OPTICAL CHARACTERISTICS $T_0=25^{\circ}\text{C}$

| PARAMETER | MIN | TYP | MAX | UNITS | TEST COND |
|-----------------|----------------------|-----|------|----------------|----------------------|
| PEAK WAVELENGTH | | 640 | | nm | |
| FORWARD VOLTAGE | | 2.0 | 2.40 | V _f | $I_f=100\mu\text{A}$ |
| REVERSE VOLTAGE | 5.0 | | | V _r | $I_f=10\text{mA}$ |
| AXIAL INTENSITY | | | 4500 | cd | |
| EMITTED COLOR: | RED | | | | 2x theta |
| FACE COLOR: | GRAY | | | | |
| SEGMENT COLOR: | MILKY WHITE DIFFUSED | | | | |

LIMITS OF SAFE OPERATION AT 25°C PER DIE

| PARAMETER | MAX | UNITS |
|-----------------------|-------------|-------|
| PEAK FORWARD CURRENT* | 100 | mA |
| STEADY CURRENT | 25 | mA |
| POWER DISSIPATION | 60 | mW |
| DERATE FROM 25°C | -0.30 | mW/°C |
| OPERATING TEMP. | -40 TO +105 | °C |
| STORAGE TEMP. | -40 TO +105 | °C |

* I_T10/5

UNLESS OTHERWISE SPECIFIED TOLERANCES PER DECIMAL PRECISION ARE: X=±1 (±0.025), X.X=±0.5 (±0.020), X.XX=±0.25 (±0.010), X.XXX=±0.127 (±0.005), LEAD SIZE=±0.05 (±0.002), LEAD LENGTH=±0.75 (±0.030), MIN.= -0.00, DECIMAL PRECISION MAX.= +0.00, DECIMAL PRECISION

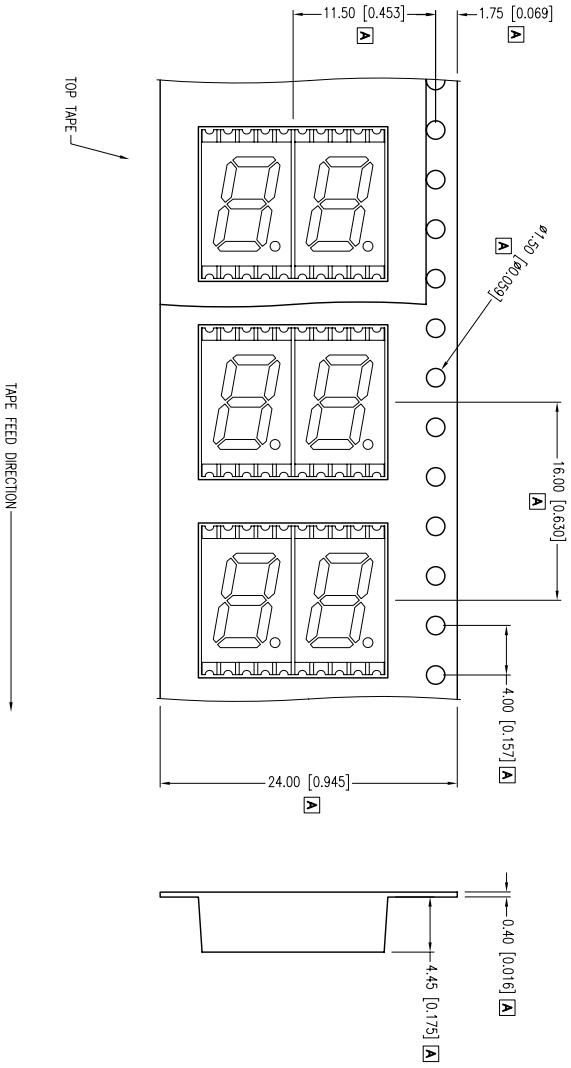
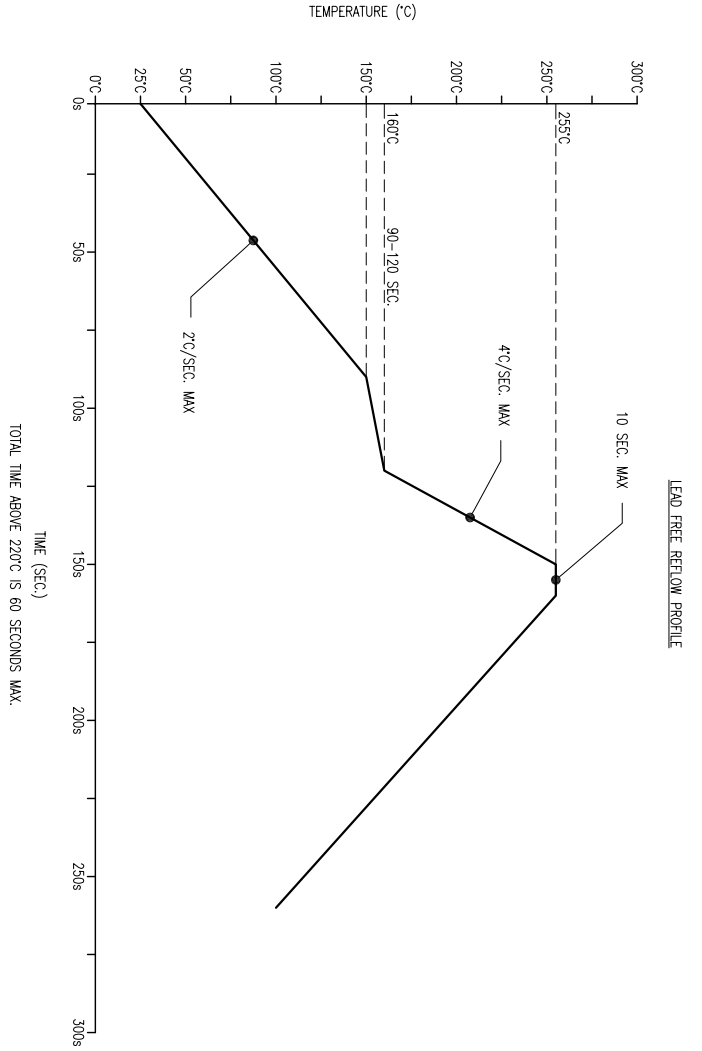
UNCONTROLLED DOCUMENT

LUMEX
 Creating LED and LCD Solutions Together™
 290 E. HELEN ROAD
 PALATKA, IL 60067-6976
 PHONE: +1 847 359 2790
 FAX: +1 847 359 6538
 WEB: WWW.LUMEX.COM
 MEMBER OF JTW PHOTONICS GROUP

0.30" 7 SEGMENT DUAL DIGIT DISPLAY, 640nm RED, HIGH TEMP., COMMON ANODE.

CONFIDENTIAL INFORMATION
 THE INFORMATION CONTAINED IN THIS DOCUMENT IS THE PROPERTY OF LUMEX INC. EXCEPT AS SPECIFICALLY AUTHORIZED IN WRITING BY LUMEX INC., THE HOLDER OF THIS DOCUMENT SHALL KEEP ALL INFORMATION CONTAINED HEREIN CONFIDENTIAL AND SHALL PROTECT SAME IN WHOLE OR IN PART FROM DISCLOSURE AND DISSEMINATION TO ALL THIRD PARTIES.

DATE: 03.20.12 DRAWN BY: AB
 PAGE: 1 OF 2 CHKD BY: KF
 SCALE: NTS APRVD BY: KF
 UNIT: mm [INCH]



*UNLESS OTHERWISE SPECIFIED TOLERANCES PER DECIMAL PRECISION ARE: X=±1 (±0.039), X.X=±0.5 (±0.020), X.XX=±0.25 (±0.010), X.XXX=±0.127 (±0.005), LEAD SIZE=±0.05 (±0.002), LEAD LENGTH=±0.75 (±0.030), MIN= -0.000 (DECIMAL PRECISION MAX.= +0.000 (DECIMAL PRECISION

UNCONTROLLED DOCUMENT

LUMEX
 Creating LED and LCD Solutions Together™
 290 E. HELEN ROAD
 PALATKA, IL 60067-6976
 PHONE: +1 847 359 2790
 FAX: +1 847 359 6538
 WEB: WWW.LUMEX.COM
 MEMBER OF JTW PHOTONICS GROUP

0.30" 7 SEGMENT DUAL DIGIT DISPLAY, 640nm RED, HIGH TEMP., COMMON ANODE.
 THE SPECIFICATIONS MAY CHANGE AT ANY TIME WITHOUT NOTICE DUE TO NEW MATERIALS OR PRODUCT IMPROVEMENT.
 CONFIDENTIAL INFORMATION
 THE INFORMATION CONTAINED IN THIS DOCUMENT IS THE PROPERTY OF LUMEX INC. EXCEPT AS SPECIFICALLY AUTHORIZED IN WRITING BY LUMEX INC., THE HOLDER OF THIS DOCUMENT SHALL KEEP ALL INFORMATION CONTAINED HEREIN CONFIDENTIAL AND SHALL PROTECT SAME IN WHOLE OR IN PART FROM DISCLOSURE AND DISSEMINATION TO ALL THIRD PARTIES.

| | | | |
|--------|-----------|-----------|----|
| DATE: | 03.20.12 | DRAWN BY: | AB |
| PAGE: | 2 OF 2 | CHKD BY: | KF |
| SCALE: | NTS | APRVD BY: | KF |
| UNIT: | mm [INCH] | | |

AMEYA360

Components Supply Platform

Authorized Distribution Brand :



Website :

Welcome to visit www.ameya360.com

Contact Us :

➤ Address :

401 Building No.5, JiuGe Business Center, Lane 2301, Yishan Rd
Minhang District, Shanghai , China

➤ Sales :

Direct +86 (21) 6401-6692

Email amall@ameya360.com

QQ 800077892

Skype [ameyasales1](#) [ameyasales2](#)

➤ Customer Service :

Email service@ameya360.com

➤ Partnership :

Tel +86 (21) 64016692-8333

Email mkt@ameya360.com