

2.5V CMOS Compatible SMD Crystal Oscillator



3.2 x 2.5 x 1.2mm

ASE2 SERIES



ESD Sensitive



RoHS / RoHS II Compliant

Moisture Sensitivity Level (MSL) -1

FEATURES:

- Compact and low in height at 1.2mm
- Low current consumption
2mA typ. for 19.2MHz
- Tri state function
- Suitable for RoHS reflow
- Tight stability option ± 20 ppm for -40 to +85°C
- Seam sealed package assures high reliability

APPLICATIONS:

- CCD clock for VTR camera
- Equipment connected to PC or PC cards
- Wireless communication

STANDARD SPECIFICATIONS:

Parameters	Minimum	Typical	Maximum	Units	Notes
Frequency Range	0.625		156.25	MHz	
Operating Temperature	-10		+70	°C	STD (See options)
Storage Temperature	-55		+125	°C	
Overall Frequency Stability	-100		+100	ppm	See options
Supply Voltage (Vdd)	+2.375	2.5	+2.625	V	
Supply Current (Idd)		2	8	mA	0.625 ~ 19.99 MHz
		3	8		20.00 ~ 31.99 MHz
		5	15		32.00 ~ 59.99 MHz
		12	25		60.00 ~ 125.00 MHz
		15	25		125.01 ~ 156.25MHz
Symmetry @ 1/2Vdd	45		55	%	0.625 ~ 89.999 MHz
	40		60		90.00 ~ 156.25 MHz
Rise and Fall Time (Tr/Tf)		3	5	ns	0.625 ~ 19.99 MHz
		3	5		20.00 ~ 31.99 MHz
		3	5		32.00 ~ 59.99 MHz
		3	5		60.00 ~ 125.00 MHz
		3	5		125.01 ~ 156.25MHz
Output Load			15	pF	CMOS
Output Voltage (VOH)	0.9* Vdd			V	
Output Voltage (VOL)			0.1* Vdd	V	
Start-up Time		0.6	3	ms	0.625 ~ 19.99 MHz
		0.6	3		20.00 ~ 31.99 MHz
		0.6	3		32.00 ~ 59.99 MHz
		1.3	2		60.00 ~ 125.00 MHz
		1.3	2		125.01 ~ 156.25MHz
Tri-state function	"1" (VIH \geq 0.7*Vdd) or Open: Oscillation; "0" (VIL<0.3*Vdd) : Hi Z				
RMS Jitter:		2	5	ps	
Aging at 25°C (first year)	-5		+5	ppm	
Stand-by Current:			10	μ A	

OPTIONS & PART IDENTIFICATION: (Left blank if standard)

ASE2 - [] MHz - [] - [] - []

Frequency in MHz
e.g. 0.625MHz
24.576MHz
14.31818MHz
26.000MHz
156.25MHz

Operating Temp.
I: 0°C ~ +50°C
D: -10°C ~ +60°C
E: -20°C ~ +70°C
F: -30°C ~ +70°C
N: -30°C ~ +85°C
L: -40°C ~ +85°C

Contact ABRACON for wider temperature range.

Overall Freq. Stability
J(*): ± 20 ppm
R: ± 25 ppm
K: ± 30 ppm
H: ± 35 ppm
B: ± 40 ppm
C: ± 50 ppm

*: Temp options I, D, E, and -10°C to +70°C only

Packaging
Blank: Bulk
T: 1000pcs/Reel

ABRACON IS ISO9001:2008 CERTIFIED



ABRACON CORPORATION

Visit www.abracon.com for Terms & Conditions of Sale
30332 Esperanza, Rancho Santa Margarita, California 92688
tel 949-546-8000 | fax 949-546-8001 | www.abracon.com

Revised: 08.06.14

2.5V CMOS Compatible SMD Crystal Oscillator



3.2 x 2.5 x 1.2mm

ASE2 SERIES

Pb | RoHS / RoHS II Compliant

OUTLINE DRAWING:

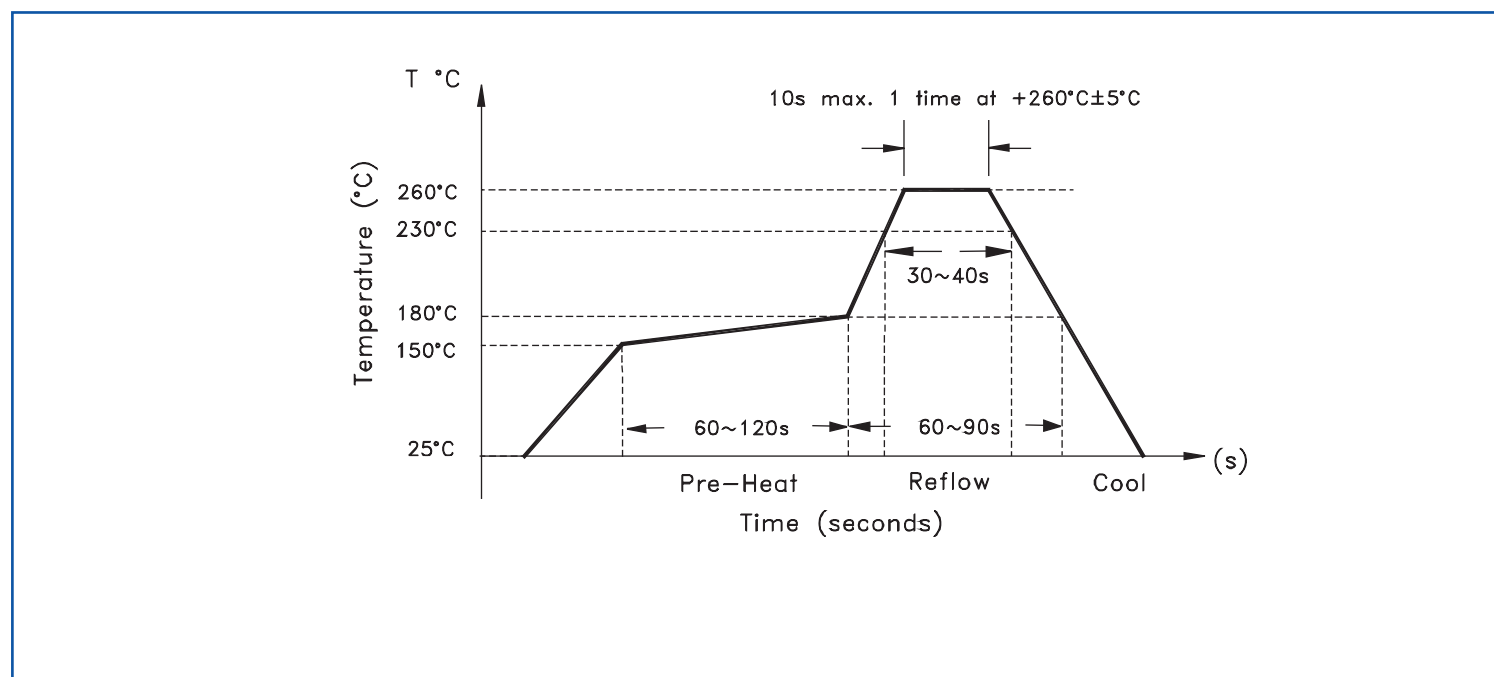
Recommended land pattern

Note:
 1. The outline package configuration varies with frequency range. Electrical properties, pin configuration, and land pattern are the same.
 2. Recommend using an approximately 0.01μF bypass capacitor between Pin 2 and 4.

PIN	FUNCTION
1	Tri-state
2	GND/Case
3	Output
4	Vdd

Dimensions: Inches (mm)

REFLOW PROFILE



Visit www.abracon.com for Terms & Conditions of Sale
 30332 Esperanza, Rancho Santa Margarita, California 92688
 tel 949-546-8000 | fax 949-546-8001 | www.abracon.com

Revised: 08.06.14

2.5V CMOS Compatible SMD Crystal Oscillator



3.2 x 2.5 x 1.2mm

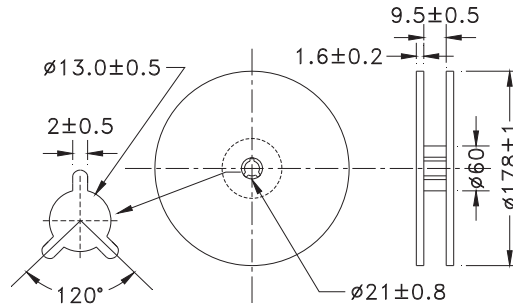
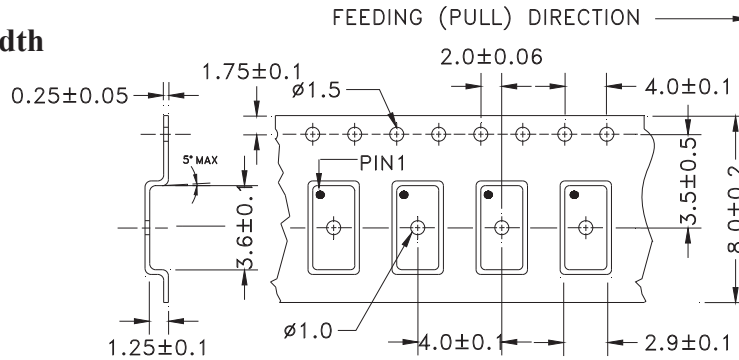
ASE2 SERIES

RoHS / RoHS II Compliant

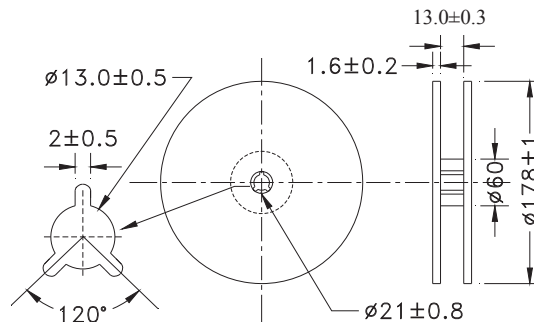
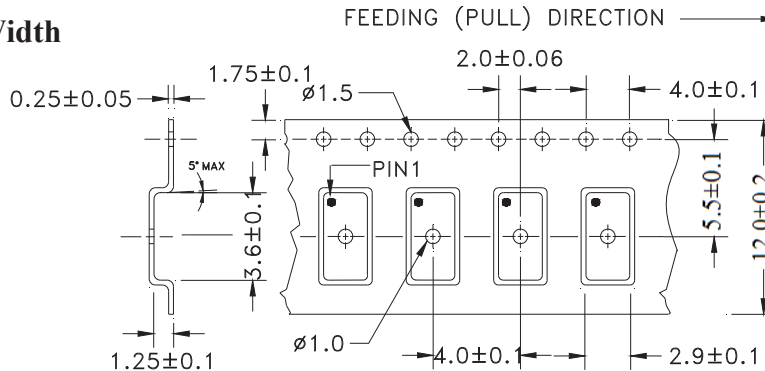
TAPE & REEL:

T: 1000pcs/reel

8mm Tape Width



12mm Tape Width



Dimensions: mm



Need a test socket for the ASE2 Series? To view compatible **PRECISION TEST & BURN-IN SOCKETS** or these parts, [click here](#).

ATTENTION: Abracon Corporation's products are COTS – Commercial-Off-The-Shelf products; suitable for Commercial, Industrial and, where designated, Automotive Applications. Abracon's products are not specifically designed for Military, Aviation, Aerospace, Life-dependant Medical applications or any application requiring high reliability where component failure could result in loss of life and/or property. For applications requiring high reliability and/or presenting an extreme operating environment, written consent and authorization from Abracon Corporation is required. Please contact Abracon Corporation for more information.

ABRACON IS
ISO9001:2008
CERTIFIED

Visit www.abracon.com for Terms & Conditions of Sale **Revised: 08.06.14**
30332 Esperanza, Rancho Santa Margarita, California 92688
tel 949-546-8000 | fax 949-546-8001 | www.abracon.com

AMEYA360

Components Supply Platform

Authorized Distribution Brand :



Website :

Welcome to visit www.ameya360.com

Contact Us :

➤ Address :

401 Building No.5, JiuGe Business Center, Lane 2301, Yishan Rd
Minhang District, Shanghai , China

➤ Sales :

Direct +86 (21) 6401-6692

Email amall@ameya360.com

QQ 800077892

Skype [ameyasales1](#) [ameyasales2](#)

➤ Customer Service :

Email service@ameya360.com

➤ Partnership :

Tel +86 (21) 64016692-8333

Email mkt@ameya360.com