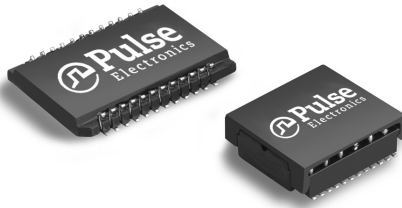


1000Base-T, Single Port Mini-Magnetics Modules

Designed to Support 1:1 Turns Ratio Transceivers



- RoHS-6 peak reflow temperature rating 245°C
- Small footprint saves board space
- Compliant with IEEE 802.3ab standard for 1000BASE-T

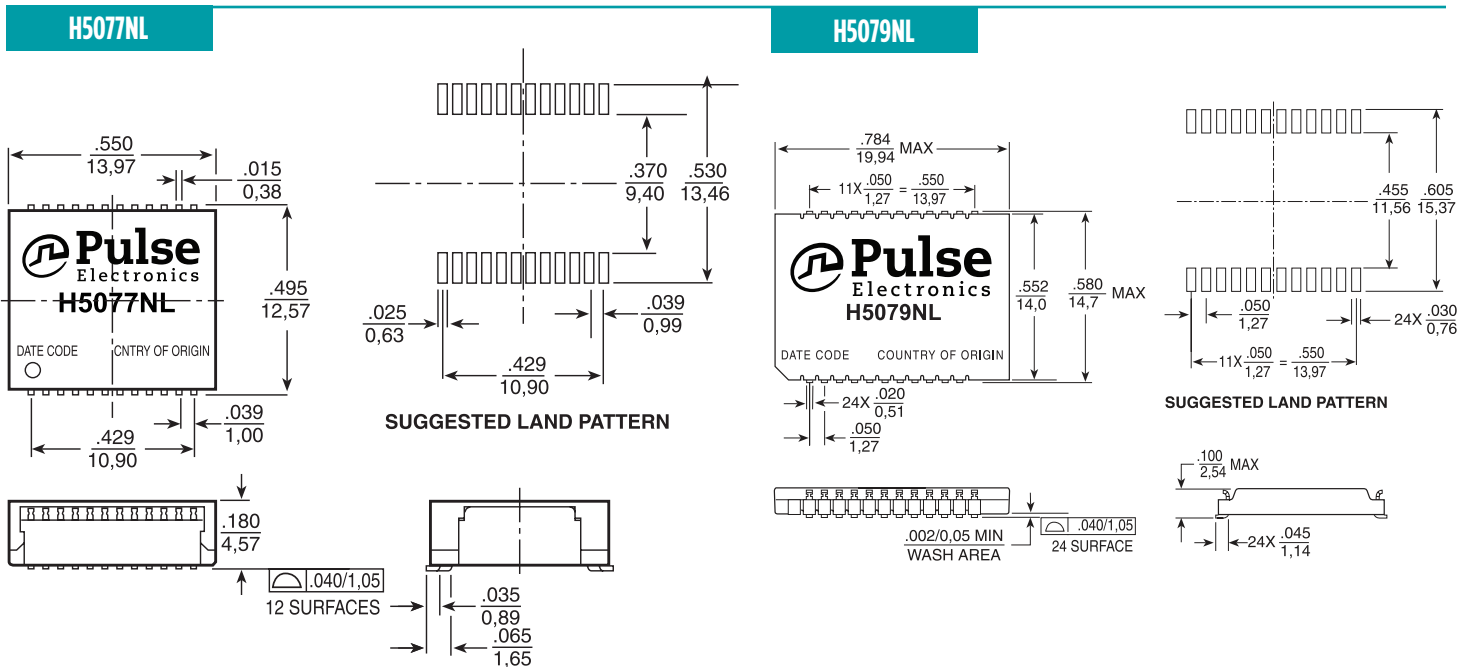
Electrical Specifications @ 25°C - Operating Temperature 0°C to 70°C

Part Number ¹	Insertion Loss (dB MAX)	Return Loss (dB MIN @ 100 W)					Differential to Common Mode Rejection (dB MIN)			Crosstalk (dB MIN)			Hipot (Vrms MIN)
		1-100 MHz	1-30 MHz	40-50 MHz	60-80 MHz	100 MHz	30 MHz	60 MHz	100 MHz	30 MHz	60 MHz	100 MHz	
H5077NL ²	1	-18	-16	-12	-10	-43	-37	-33	-45	-40	-35	1500	
H5079NL ²	1	-18	-16	-12	-10	-43	-37	-33	-45	-40	-35	1500	

Notes:

1. Add "T" to the end of the part number for tape-and-reel option, e.g. H5077NL becomes H5077NLT.
2. MSL = Moisture Sensitivity Level = 1
3. RoHS-6: Product does not contain 5 out of the 6 banned substances specified in the RoHS directive. Some internal connections may contain lead in high-temperature solder (solder alloys containing more than 85% lead).

Mechanicals



Weight1.2 grams
 Tape & Reel400
 Tube30

Dimensions: $\frac{\text{Inches}}{\text{mm}}$ Unless otherwise specified, all tolerances are $\pm \frac{.010}{0,25}$

Weight1.2 grams
 Tape & Reel400
 Tube30

USA 858 674 8100

Germany 49 7032 7806 0

Singapore 65 6287 8998

Shanghai 86 21 62787060

China 86 755 33966678

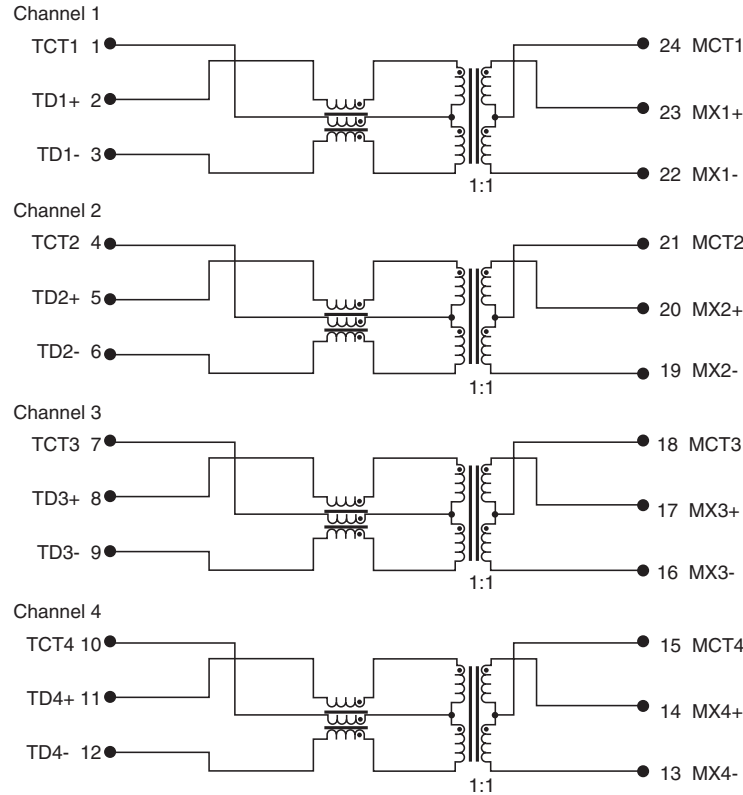
Taiwan 886 3 4356768

1000Base-T, Single Port Mini-Magnetics Modules

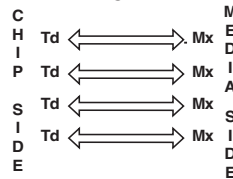
Designed to Support 1:1 Turns Ratio Transceivers

Schematic

H5077NL, H5079NL



LEGEND



For More Information

Pulse Worldwide Headquarters
12220 World Trade Drive
San Diego, CA
92128
U.S.A.

Tel: 858 674 8100

Pulse Europe
Einsteinstrasse 1
D-71083 Herrenberg
Germany

Tel: 49 7032 7806

Pulse China Headquarters
B402, Shenzhen Academy of
Aerospace Technology Bldg.
10th Kejian Road
High-Tech Zone
Nanshan District
Shenzhen, PR China
518057

Pulse North China
Room 2704/2705
Super Ocean Finance
Ctr.
2067 Yan An Road
West
Shanghai 200336
China

Pulse South Asia
135 Joo Seng Road
#03-02
PM Industrial Bldg.
Singapore 368363

Tel: 65 6287 8998
Fax: 65 6287 8998

Pulse North Asia
3F, No. 198
Zhongyuan Road
Zhongli City
Taoyuan County 320
Taiwan R. O. C.
Tel: 886 3 4356768
Fax: 886 3 4356823
(Pulse)

Performance warranty of products offered on this data sheet is limited to the parameters specified. Data is subject to change without notice. Other brand and product names mentioned herein may be trademarks or registered trademarks of their respective owners. © Copyright, 2011. Pulse Electronics, Inc. All rights reserved.

AMEYA360

Components Supply Platform

Authorized Distribution Brand :



Website :

Welcome to visit www.ameya360.com

Contact Us :

➤ Address :

401 Building No.5, JiuGe Business Center, Lane 2301, Yishan Rd
Minhang District, Shanghai , China

➤ Sales :

Direct +86 (21) 6401-6692

Email amall@ameya360.com

QQ 800077892

Skype [ameyasales1](#) [ameyasales2](#)

➤ Customer Service :

Email service@ameya360.com

➤ Partnership :

Tel +86 (21) 64016692-8333

Email mkt@ameya360.com