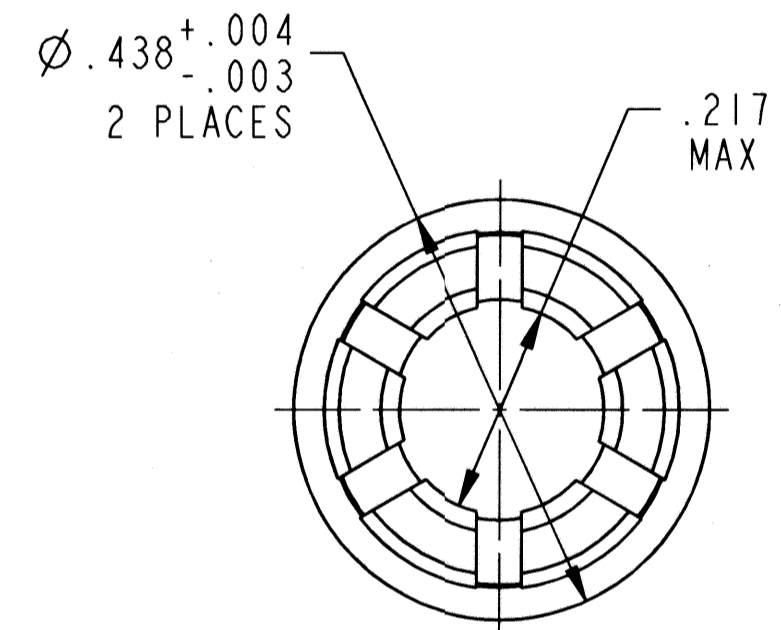
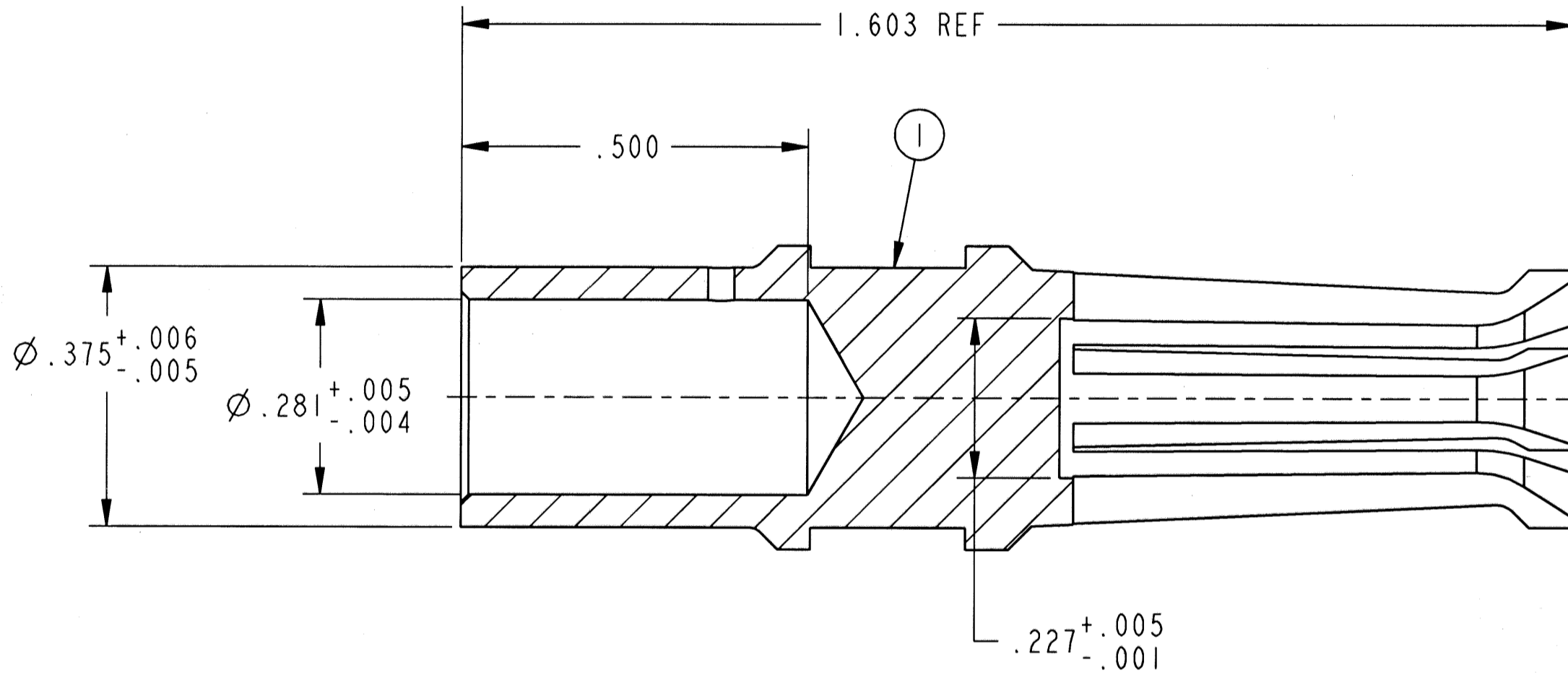
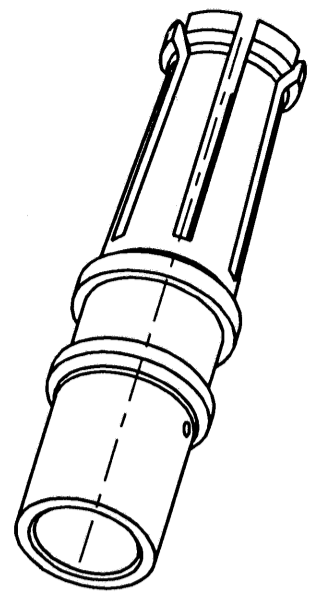


REVISIONS			
LTR	DESCRIPTION	DATE	APPVD
C	(CL 11) SEE CHANGE NOTICE ECN: 88492	11-20-00 PRESCOTT	<i>Prescott</i>



4. MEAN SURFACE AREA 3.1937 SQ IN.
3. SILVER PLATE .0002-.0004 THICK PER 9-1882. PROTECTIVE TREAT PER 9-3264.
2. ALL DIMENSIONS ARE AFTER PLATING.
1. A $\phi .2260^{+.0002}_{-.0000}$ HARDENED STEEL PIN MUST ENGAGE SOCKET WITH A FORCE NOT GREATER THAN 11 LBS. FOLLOWING THIS A $\phi .2240^{+.0000}_{-.0002}$ HARDENED STEEL PIN SHALL DISENGAGE SOCKET WITH A FORCE NOT LESS THAN 20 OZ. DEPTH OF ENGAGEMENT SHALL BE .594 MIN. FROM FRONT OF CONTACT. PINS SHALL HAVE A FINISH OF $\sqrt{3}$ AND A SPHERICAL TIP.

NOTES:

THE USE OF THIS DOCUMENT IS UNLIMITED. HOWEVER, DOCUMENTS REFERENCED HEREON MAY CONTAIN LIMITED RIGHTS DATA.

COMPANY ID: 9
INTERNAL: N
DATE CODE: N

CODED/MS/CUST: N
LOT NO: N
SEE DRAW: N

N/A
N/A

STAMPING DATA NEXT ASSEMBLY

UNLESS OTHERWISE SPECIFIED	SPECIFICATIONS
LINEAR DIMENSIONS ARE IN INCHES TOLERANCES: .XXXX = ± .0005 .XXX = ± .010 .XX = ± .03 .X = ± .1 ANGLES = ± 2° OTHER STANDARDS PER 9-3800 AND DOD-D-1000 THIRD ANGLE PROJECTION	MATERIAL SPEC. N/A
	PROCESS SPEC. SEE NOTE 3

I	I	10-40565-B	CONTACT	
POS	QTY	PART NUMBER	DESCRIPTION	NOTE
PARTS LIST				
			AMPHENOL CORPORATION <small>AEROSPACE OPERATIONS STONEY, N.Y.</small>	
PREPARED	D. MARSHALL	11-Nov-98	CONTACT, SOCKET, CRIMP SIZE 4 SILVER PLATED	
CHECKED	A. PRESCOTT	12-22-98		
MATERIAL	J. FOGARTY	12-22-98		
APPROVED	D. MARSHALL	12-22-98		
APPROVED	R. BARNES	12-22-98	SIZE	REV. C
PROJ/ENG INFORMATION 10-40565.PART 10-40565		C	FSCM NO. 77820	DOCUMENT NO. 10-40565
SCALE: 5.0		REF: 10-101515-4S	SHEET 1 OF 1	

FAMCODES DATA3: GTCBNS CIGS:

AMEYA360

Components Supply Platform

Authorized Distribution Brand :



Website :

Welcome to visit www.ameya360.com

Contact Us :

➤ Address :

401 Building No.5, JiuGe Business Center, Lane 2301, Yishan Rd
Minhang District, Shanghai , China

➤ Sales :

Direct +86 (21) 6401-6692

Email amall@ameya360.com

QQ 800077892

Skype ameyasales1 ameyasales2

➤ Customer Service :

Email service@ameya360.com

➤ Partnership :

Tel +86 (21) 64016692-8333

Email mkt@ameya360.com