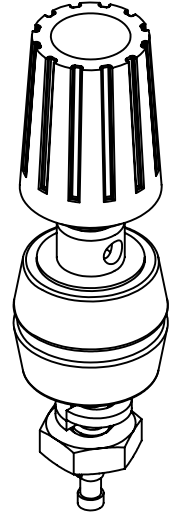
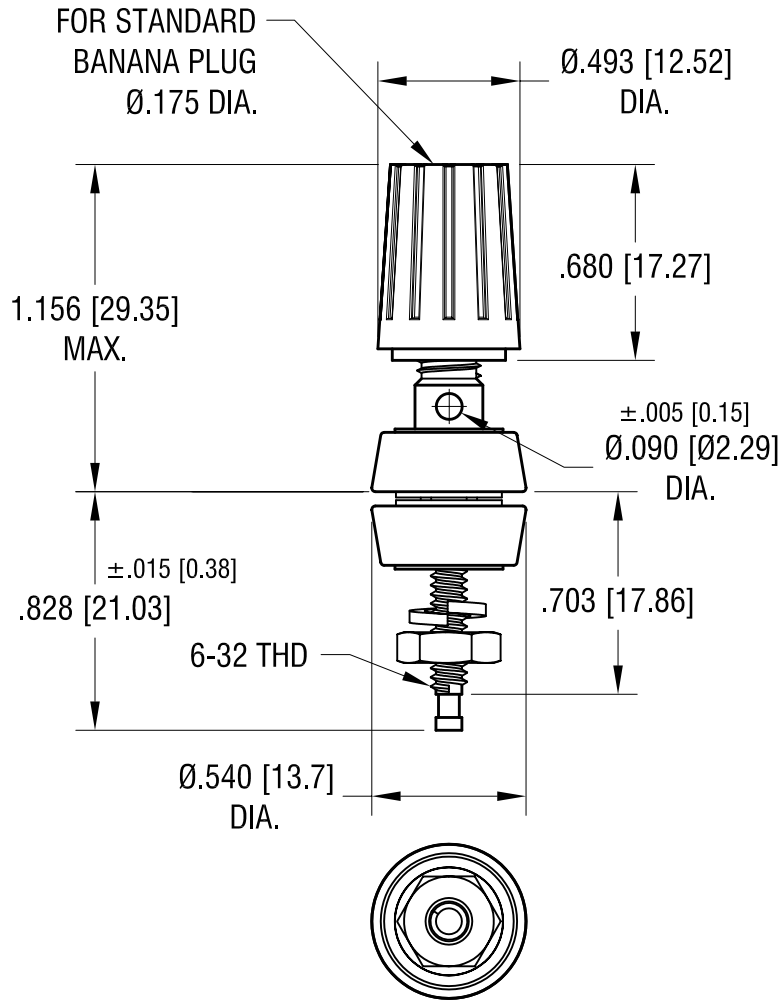


THIS DOCUMENT IS THE PROPERTY OF
KEYSTONE ELECTRONICS CORP. AND
SHALL NOT BE REPRODUCED, DISTRIBUTED
OR USED AS A BASIS FOR MANUFACTURE
WITHOUT PRIOR WRITTEN PERMISSION
FROM KEYSTONE ELECTRONICS CORP.



NOTES:

1. STUD : MAT'L - BRASS, BRIGHT TIN PLATE
2. INSULATOR: MAT'L - NYLON
3. FLAT WASHER: MAT'L - BRASS, NICKEL PLATE
4. SPLIT WASHER: MAT'L - PHOSPHOR BRONZE
NICKEL PLATE
5. NUT: MAT'L - BRASS, NICKEL PLATE

P/N	TH'D	COLOR
7014	6-32	RED
7015	6-32	BLACK

KEYSTONE ELECTRONICS CORP.			
www.keyelco.com • ASTORIA, N.Y. 11105-2017 • Tel (718) 956-8900			
PART NAME		BINDING POST	
MATERIAL		AS NOTED	
FINISH		AS NOTED	
DRN BY	LN	DATE	1.3.83
APP'D	LN	SCALE	1.5X
TOLERANCES	INCH [MM]	CODE	DWG NO.
DECIMAL	± .010 [± 0.25]	C	7014-7015
ANGULAR	± 1°		
UNLESS OTHERWISE SPECIFIED			

12.10.08	CHANGE AS PER ECN 08-192	B
DATE	DESCRIPTION	REV.

AMEYA360

Components Supply Platform

Authorized Distribution Brand :



Website :

Welcome to visit www.ameya360.com

Contact Us :

➤ Address :

401 Building No.5, JiuGe Business Center, Lane 2301, Yishan Rd
Minhang District, Shanghai , China

➤ Sales :

Direct +86 (21) 6401-6692

Email amall@ameya360.com

QQ 800077892

Skype [ameyasales1](#) [ameyasales2](#)

➤ Customer Service :

Email service@ameya360.com

➤ Partnership :

Tel +86 (21) 64016692-8333

Email mkt@ameya360.com