

IEC Appliance Inlet C14 with Fuseholder 2-pole

Plug removal necessary for fuse replacement



Description

- Panel Mount:
Screw-on mounting from front side
- 2 Functions:
Appliance Inlet protection class I or II, Fuseholder for fuse-links
5 x 20 mm, 1- or 2-pole
- Quick connect terminals 4.8 x 0.8 mm

Approvals

- UL File Number: E93617
- CSA File Number: 70111

Characteristics

- All single elements are already wired
- With slotted screw type fuseholder
- Suitable for use in equipment according to IEC/UL 60950

References

We recommend for new applications the new type [4707](#)

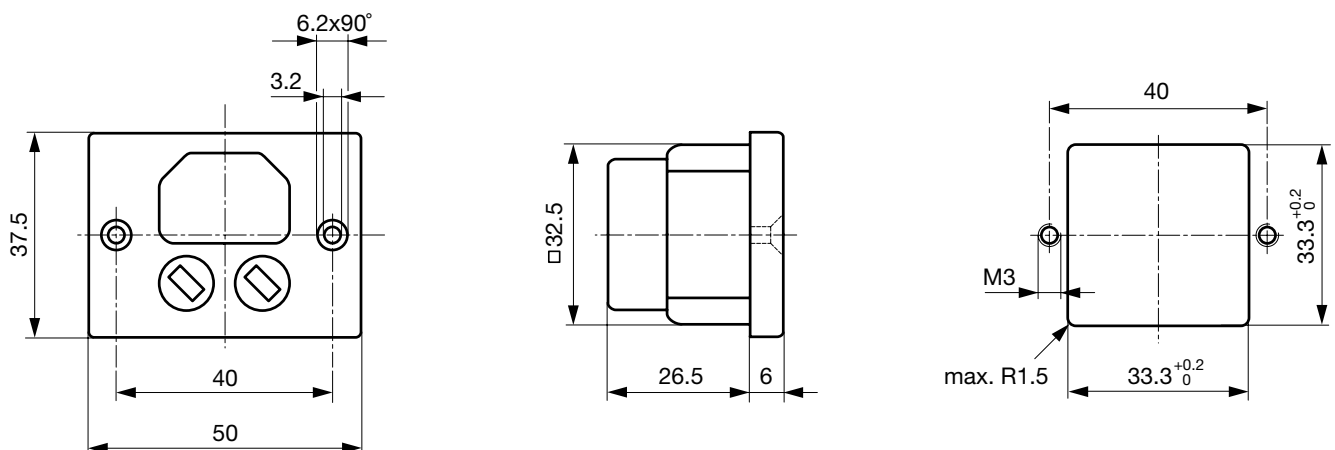
Weblinks

[pdf-datasheet](#), [html-datasheet](#), [General Product Information](#), [Approvals](#), [CE declaration of conformity](#), [RoHS](#), [CHINA-RoHS](#), [REACH](#), [Mating Connectors](#), [e-Shop](#), [SCHURTER-Stock-Check](#), [Distributor-Stock-Check](#), [CAD-Drawings](#), [Accessories](#), [Detailed request for product](#)

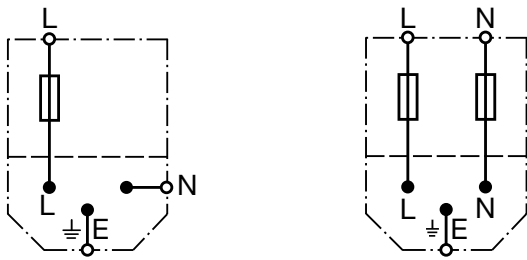
Technical Data

Ratings IEC	10A / 250VAC; 50Hz	Appliance Inlet	C14 / C18 acc. to IEC 60320, UL 498, CSA C22.2 no. 42 (for cold conditions) pin-temperature 70 °C, 10A, Protection Class I or II
Ratings UL/CSA	6A / 250VAC; 60Hz	Fuseholder	1 or 2 pole, Shocksafe category PC2 acc. to IEC 60127-6, for fuse-links 5 x 20mm
Dielectric Strength	> 2 kVAC between L-N > 4 kVAC between L/N-PE (1 min/50Hz)	Rated Power Acceptance @ Ta 23 °C	5 x 20: 1.6W (1 pole)/ 1,2W (2-pole) per pole
Allowable Operation Temp.	-25 °C to 70 °C	Power Acceptance @ Ta > 23°C	Admissible power acceptance at higher ambient temperature see derating curves
Degree of Protection	from front side IP 40 acc. to IEC 60529		
Protection Class	Suitable for appliances with protection class I or II acc. to IEC 61140		
Terminal	Quick connect terminals 4.8 x 0.8 mm		
Panel Thickness s	Screw: max 6 mm Mounting screw torque max 0.5 Nm		
Material: Housing	Thermoplastic, black, UL 94V-0		

Dimensions

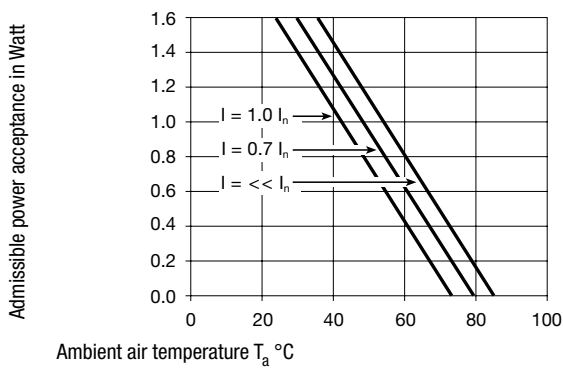


Diagrams

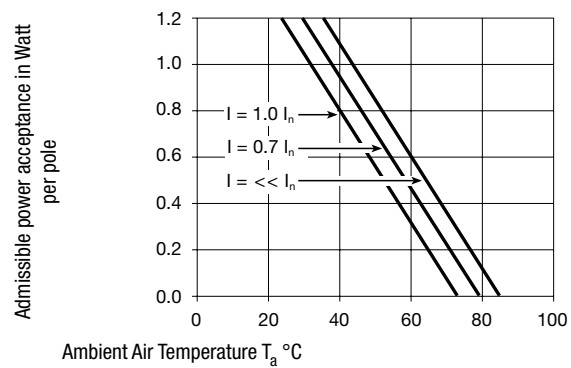


Derating Curves

1-pole



2-pole



All Variants

Protection Class	Fuseholder	Housing	Order Number
I	2-pole	black	0040.5000.2
II	2-pole	black	0040.5015

Most Popular.

Availability for all products can be searched real-time: <http://www.schurter.com/en/Stock-Check/Stock-Check-SCHURTER>

Packaging unit 100 Pcs

Mating Outlets/Connectors

Category / Description

Connector Overview complete



IEC Connector C13, Rewireable, Straight	4782
IEC Connector C13, Rewireable, Straight	4022
IEC Connector C13, Rewireable, Angled	4785
IEC Connector C13, Rewireable, Angled	4300-06
IEC Connector C13, Rewireable, Angled	4012
Connector further types to 8842/8843	...

Interconnection Cord Overview complete



Interconnection Cord C13, 10 A	6007.0212
Interconnection Cord C13, 10 A	6007.0214
Interconnection Cord further types to 8842/8843	

Category / Description



[Power Cord Overview complete](#)

Power Supply Cord with IEC plug C14, stripped end	6007.0204
---	-----------

[Power Cord further types to 8842/8843](#)

[Power Supply Cord Overview complete](#)



EU Power Supply Cord with IEC Connector C13, straight	6004.0215
---	-----------

EU Power Supply Cord with IEC Connector C13, straight	6003.0215
---	-----------

Power Supply Cord with IEC Connector C13 angled, stripped end	6000.0224
---	-----------

Power Supply Cord with IEC Connector C13 straight, stripped end	6000.0214
---	-----------

UK Power Supply Cord with IEC Connector C13, straight	6044.0215
---	-----------

[Power Supply Cord further types to 8842/8843](#) ...

[Power Supply or Interconnection Cord Overview complete](#)



UK Power Supply Cord with stripped ends	6044.0204
---	-----------

Diverse Power Supply and Interconnection Cords 10 A	6045.0114
---	-----------

Diverse Power Supply and Interconnection Cords 10 A	6003.0205
---	-----------

Diverse Power Supply and Interconnection Cords 10 A	6026.0205
---	-----------

Diverse Power Supply and Interconnection Cords 10 A	6049.0007
---	-----------

[Power Supply or Interconnection Cord further types to 8842/8843](#)

AMEYA360

Components Supply Platform

Authorized Distribution Brand :



Website :

Welcome to visit www.ameya360.com

Contact Us :

➤ Address :

401 Building No.5, JiuGe Business Center, Lane 2301, Yishan Rd
Minhang District, Shanghai , China

➤ Sales :

Direct +86 (21) 6401-6692

Email amall@ameya360.com

QQ 800077892

Skype [ameyasales1](#) [ameyasales2](#)

➤ Customer Service :

Email service@ameya360.com

➤ Partnership :

Tel +86 (21) 64016692-8333

Email mkt@ameya360.com