

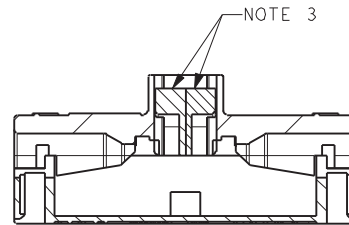
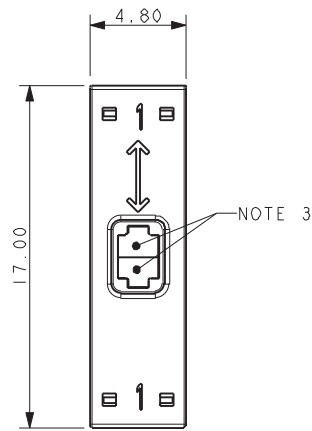


# Poke Home – Thru-Wire

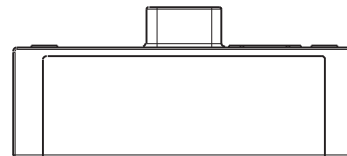
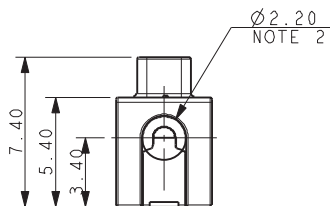


Series 9286

## 18-26 AWG 1 WAY POKE HOME – THRU WIRE



SECTION ON A-A



NOTE 8

### PACKING DETAILS

Pack 400 pieces in a clear plastic bag.

#### NOTES:

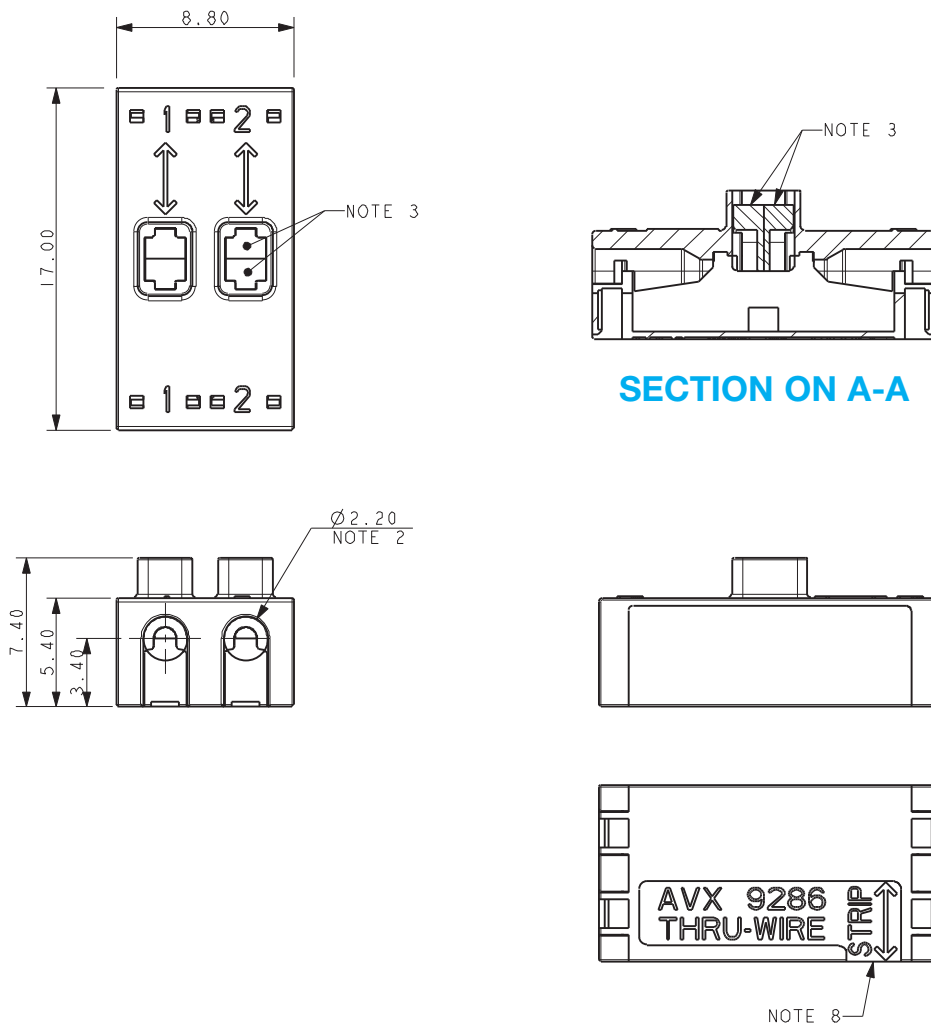
1. 1 WAY WIRE TO WIRE "POKE HOME" CONNECTOR, BUTTON OPERATED.
2. WIRE SIZES 18-26 AWG, MAXIMUM INSULATION DIAMETER 2.10MM.
3. SPLIT BUTTON ALLOWS THE WIRES TO BE INSERTED/WITHDRAWN INDEPENDENTLY.
4. INSULATION MATERIAL: NYLON 46, GLASS FILLED, UL94 V-0. COLOR SEE PAGE 1.
5. CONTACT MATERIAL: TIN PLATED COPPER ALLOY.
6. FOR FULL SPECIFICATION REFER TO ELCO SPECIFICATION 201-01-132.  
FOR APPLICATION NOTES REFER TO ELCO SPECIFICATION 201-01-135.
7. GENERAL TOLERANCE  $\pm 0.20$ MM.
8. WIRE STRIP LENGTH GUIDE, SEE PAGE 8.
9. ADHESIVE STRIP FOR PANEL MOUNTING REFER TO PAGE 9.
10. FOR UL PRODUCT CODES UL REFERENCE E90723 (US AND CANADA).

# Poke Home – Thru-Wire



Series 9286

## 18-26 AWG 2 WAY POKE HOME – THRU WIRE



### PACKING DETAILS

Pack 400 pieces in a clear plastic bag.

#### NOTES:

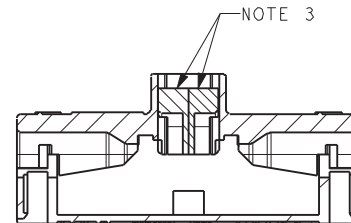
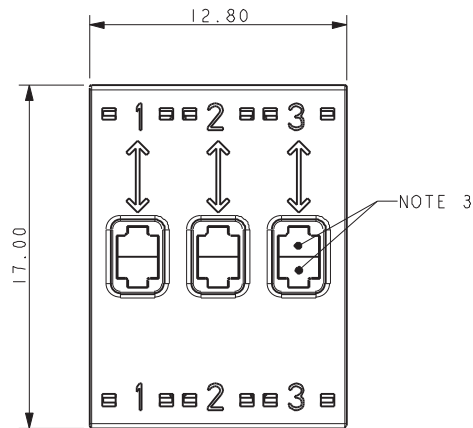
1. 2 WAY WIRE TO WIRE "POKE HOME" CONNECTOR, BUTTON OPERATED.
2. WIRE SIZES 18-26 AWG, MAXIMUM INSULATION DIAMETER 2.10MM.
3. SPLIT BUTTON ALLOWS THE WIRES TO BE INSERTED/WITHDRAWN INDEPENDENTLY.
4. INSULATION MATERIAL: NYLON 46, GLASS FILLED, UL94 V-0. COLOR SEE PAGE 1.
5. CONTACT MATERIAL: TIN PLATED COPPER ALLOY.
6. FOR FULL SPECIFICATION REFER TO ELCO SPECIFICATION 201-01-132.  
FOR APPLICATION NOTES REFER TO ELCO SPECIFICATION 201-01-135.
7. GENERAL TOLERANCE  $\pm 0.20$ MM.
8. WIRE STRIP LENGTH GUIDE, SEE PAGE 8.
9. ADHESIVE STRIP FOR PANEL MOUNTING REFER TO PAGE 9.
10. FOR UL PRODUCT CODES UL REFERENCE E90723 (US AND CANADA).

# Poke Home – Thru-Wire

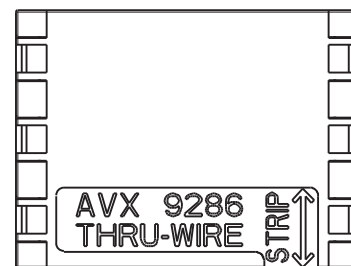
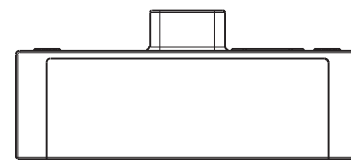
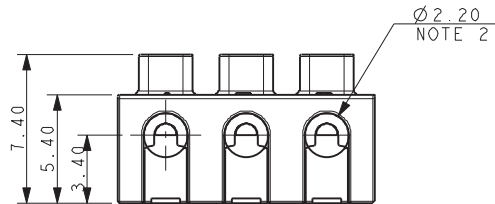


Series 9286

## 18-26 AWG 3 WAY POKE HOME – THRU WIRE



SECTION ON A-A



NOTE 8

### PACKING DETAILS

Pack 400 pieces in a clear plastic bag.

#### NOTES:

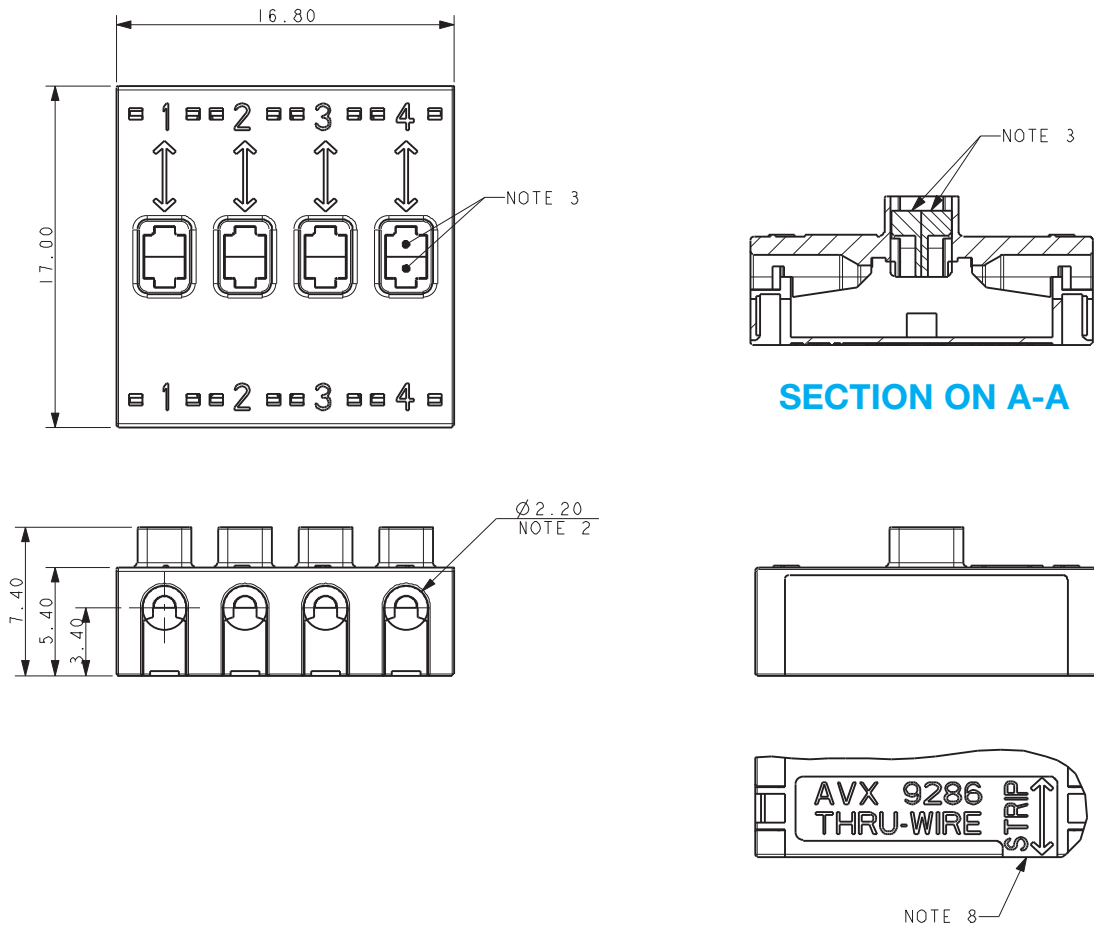
1. 3 WAY WIRE TO WIRE "POKE HOME" CONNECTOR, BUTTON OPERATED.
2. WIRE SIZES 18-26 AWG, MAXIMUM INSULATION DIAMETER 2.10MM.
3. SPLIT BUTTON ALLOWS THE WIRES TO BE INSERTED/WITHDRAWN INDEPENDENTLY.
4. INSULATION MATERIAL: NYLON 46, GLASS FILLED, UL94 V-0. COLOR SEE PAGE 1.
5. CONTACT MATERIAL: TIN PLATED COPPER ALLOY.
6. FOR FULL SPECIFICATION REFER TO ELCO SPECIFICATION 201-01-132.  
FOR APPLICATION NOTES REFER TO ELCO SPECIFICATION 201-01-135.
7. GENERAL TOLERANCE  $\pm 0.20$ MM.
8. WIRE STRIP LENGTH GUIDE, SEE PAGE 8.
9. ADHESIVE STRIP FOR PANEL MOUNTING REFER TO PAGE 9.
10. FOR UL PRODUCT CODES UL REFERENCE E90723 (US AND CANADA).

# Poke Home – Thru-Wire



Series 9286

## 18-26 AWG 4 WAY POKE HOME – THRU WIRE



SECTION ON A-A

### PACKING DETAILS

Pack 400 pieces in a clear plastic bag.

#### NOTES:

1. 4 WAY WIRE TO WIRE "POKE HOME" CONNECTOR, BUTTON OPERATED.
2. WIRE SIZES 18-26 AWG, MAXIMUM INSULATION DIAMETER 2.10MM.
3. SPLIT BUTTON ALLOWS THE WIRES TO BE INSERTED/WITHDRAWN INDEPENDENTLY.
4. INSULATION MATERIAL: NYLON 46, GLASS FILLED, UL94 V-0. COLOR SEE PAGE 1.
5. CONTACT MATERIAL: TIN PLATED COPPER ALLOY.
6. FOR FULL SPECIFICATION REFER TO ELCO SPECIFICATION 201-01-132.  
FOR APPLICATION NOTES REFER TO ELCO SPECIFICATION 201-01-135.
7. GENERAL TOLERANCE  $\pm 0.20$ MM.
8. WIRE STRIP LENGTH GUIDE, SEE PAGE 8.
9. ADHESIVE STRIP FOR PANEL MOUNTING REFER TO PAGE 9.
10. FOR UL PRODUCT CODES UL REFERENCE E90723 (US AND CANADA).

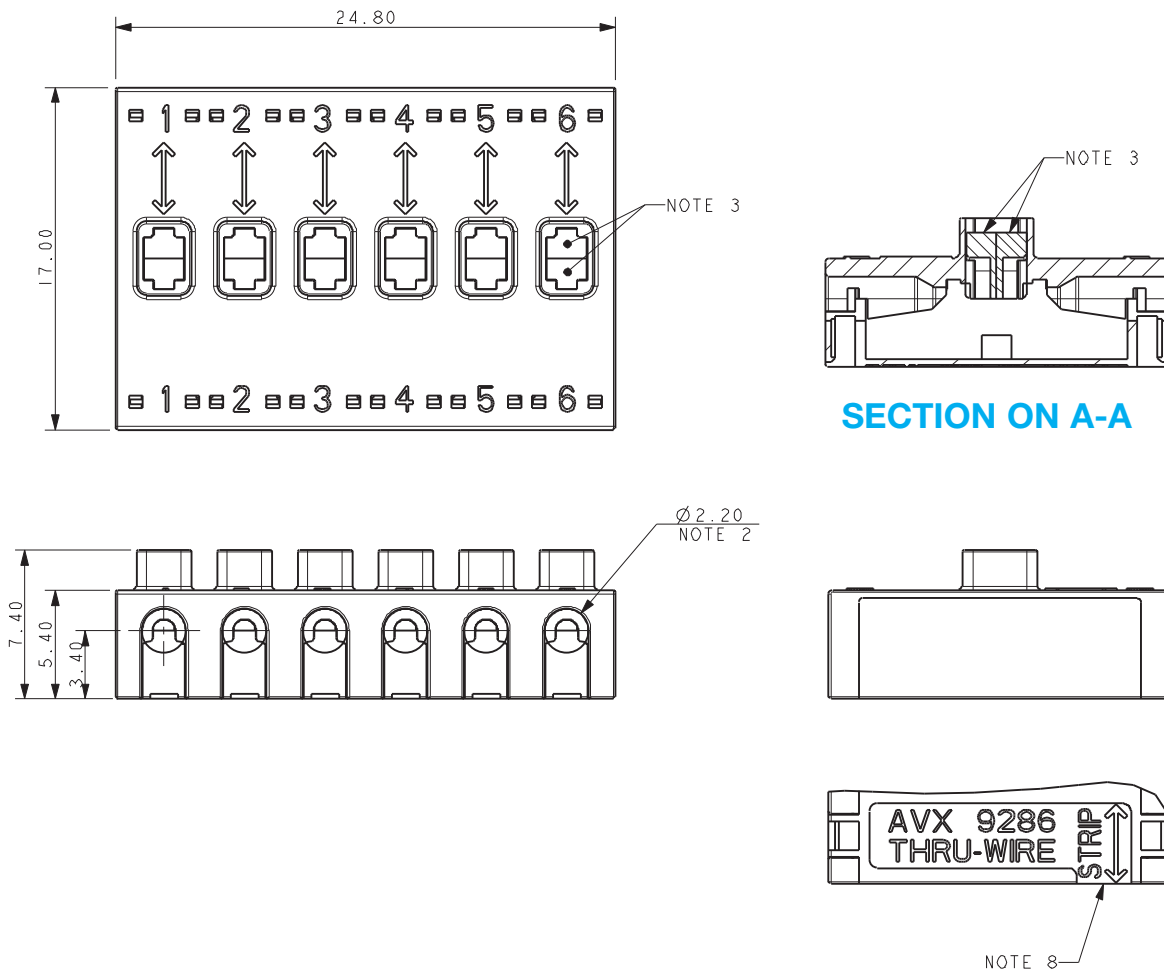


# Poke Home – Thru-Wire



Series 9286

## 18-26 AWG 6 WAY POKE HOME – THRU WIRE



### PACKING DETAILS

Pack 400 pieces in a clear plastic bag.

#### NOTES:

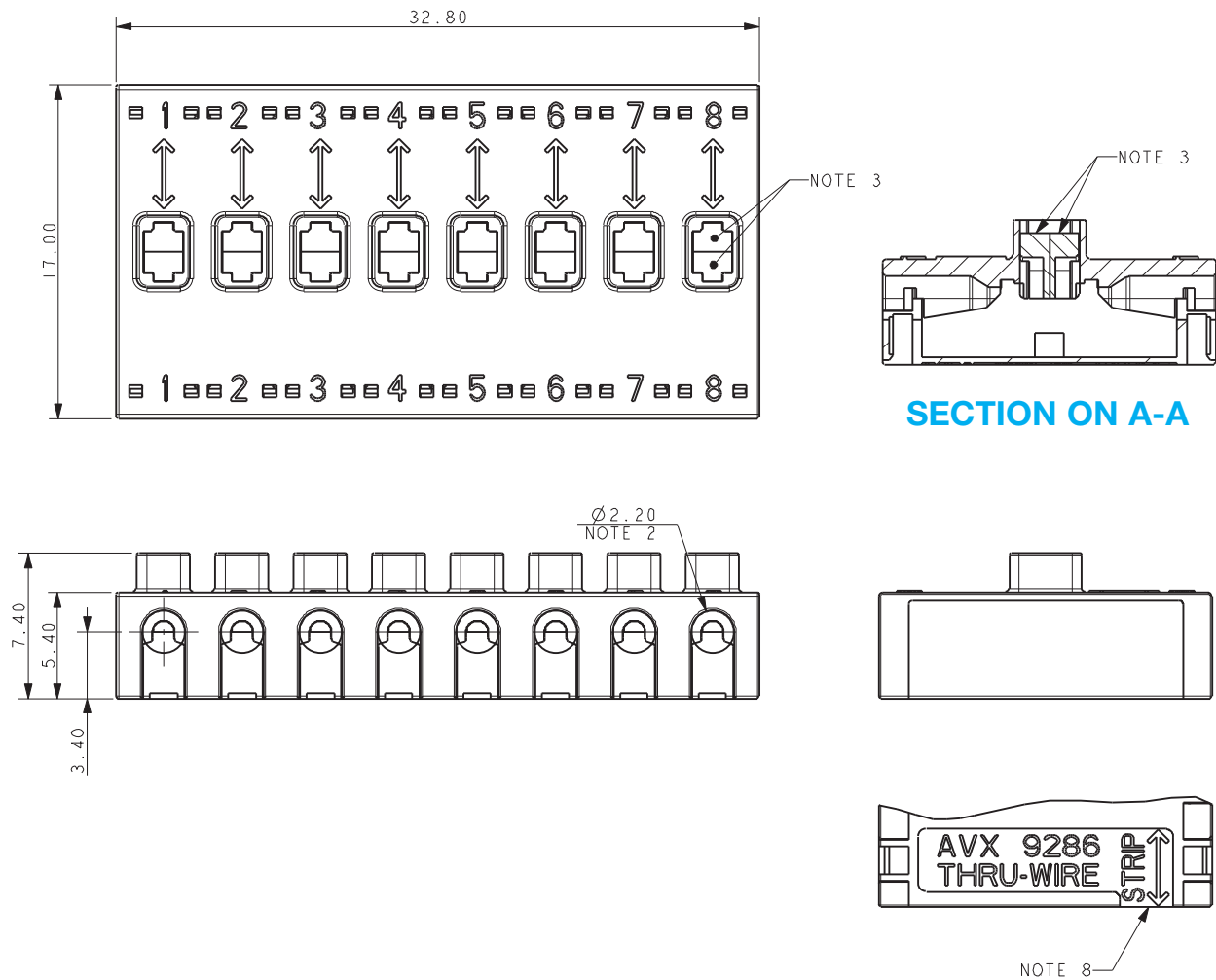
1. 6 WAY WIRE TO WIRE "POKE HOME" CONNECTOR, BUTTON OPERATED.
2. WIRE SIZES 18-26 AWG, MAXIMUM INSULATION DIAMETER 2.10MM.
3. SPLIT BUTTON ALLOWS THE WIRES TO BE INSERTED/WITHDRAWN INDEPENDENTLY.
4. INSULATION MATERIAL: NYLON 46, GLASS FILLED, UL94 V-0. COLOR SEE PAGE 1.
5. CONTACT MATERIAL: TIN PLATED COPPER ALLOY.
6. FOR FULL SPECIFICATION REFER TO ELCO SPECIFICATION 201-01-132.  
FOR APPLICATION NOTES REFER TO ELCO SPECIFICATION 201-01-135.
7. GENERAL TOLERANCE  $\pm 0.20$ MM.
8. WIRE STRIP LENGTH GUIDE, SEE PAGE 8.
9. ADHESIVE STRIP FOR PANEL MOUNTING REFER TO PAGE 9.
10. FOR UL PRODUCT CODES UL REFERENCE E90723 (US AND CANADA).

# Poke Home – Thru-Wire



Series 9286

## 18-26 AWG 8 WAY POKE HOME – THRU WIRE



### PACKING DETAILS

Pack 400 pieces in a clear plastic bag.

#### NOTES:

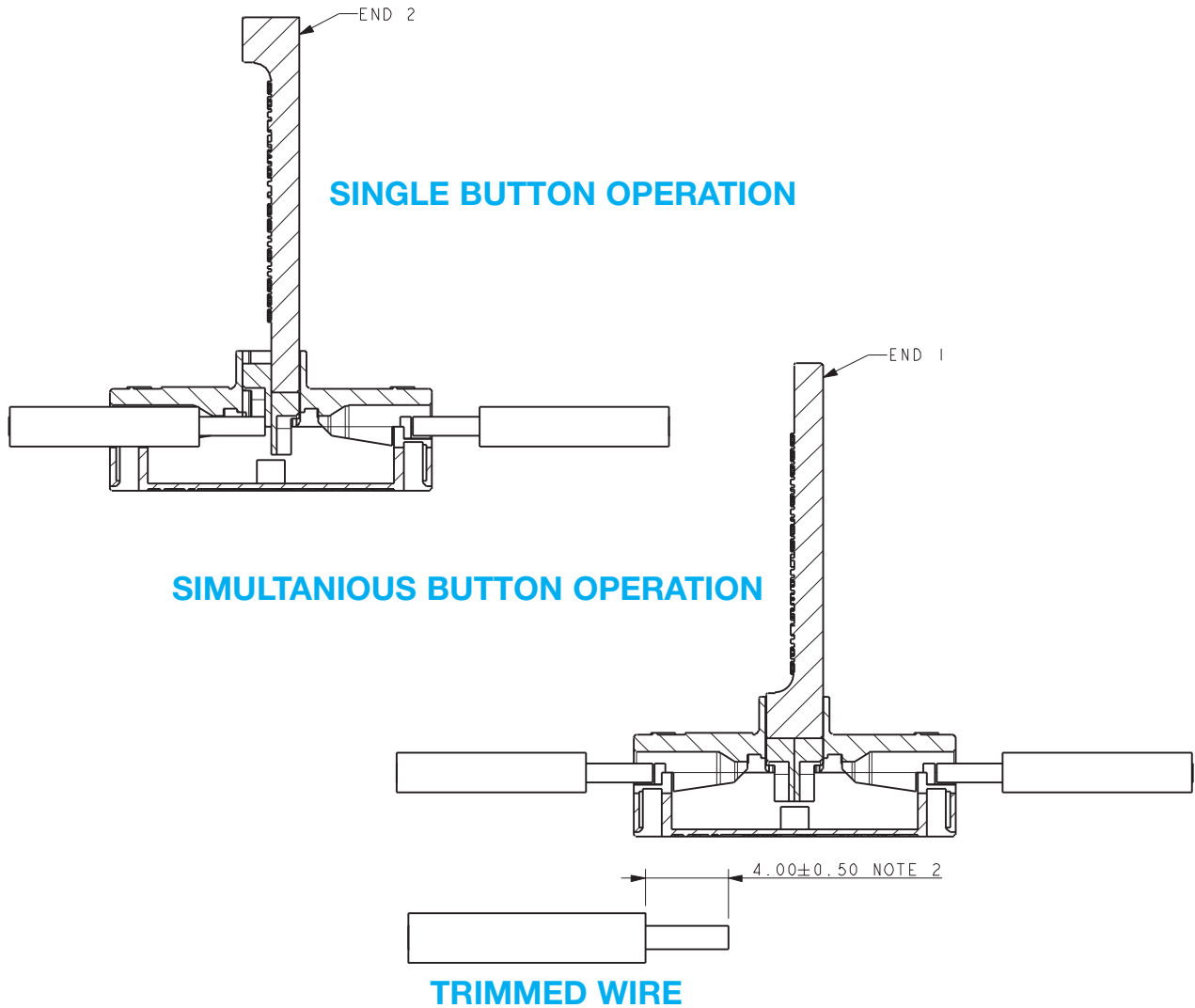
1. 8 WAY WIRE TO WIRE "POKE HOME" CONNECTOR, BUTTON OPERATED.
2. WIRE SIZES 18-26 AWG, MAXIMUM INSULATION DIAMETER 2.10MM.
3. SPLIT BUTTON ALLOWS THE WIRES TO BE INSERTED/WITHDRAWN INDEPENDENTLY.
4. INSULATION MATERIAL: NYLON 46, GLASS FILLED, UL94 V-0. COLOR SEE PAGE 1.
5. CONTACT MATERIAL: TIN PLATED COPPER ALLOY.
6. FOR FULL SPECIFICATION REFER TO ELCO SPECIFICATION 201-01-132.  
FOR APPLICATION NOTES REFER TO ELCO SPECIFICATION 201-01-135.
7. GENERAL TOLERANCE  $\pm 0.20$ MM.
8. WIRE STRIP LENGTH GUIDE, SEE PAGE 8.
9. ADHESIVE STRIP FOR PANEL MOUNTING REFER TO PAGE 9.
10. FOR UL PRODUCT CODES UL REFERENCE E90723 (US AND CANADA).

# Poke Home – Thru-Wire



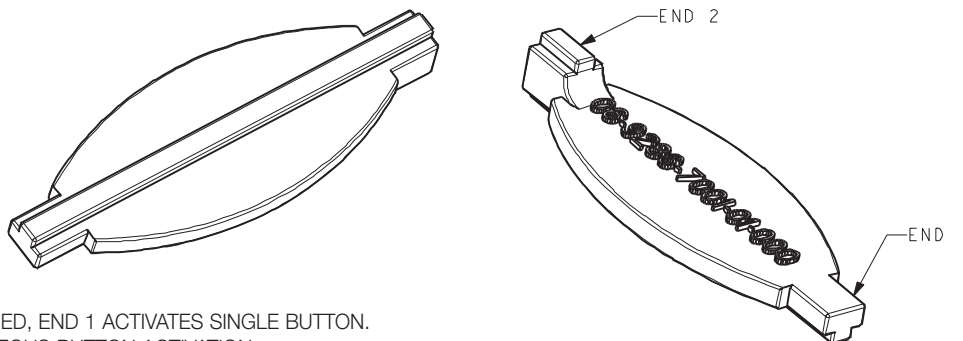
Series 9286

## POKE HOME BUTTON ACTIVATION TOOL



## 9286 BUTTON ACTIVATION TOOL

06-9286-7001-01-000



### NOTES:

1. TOOL IS DOUBLE ENDED, END 1 ACTIVATES SINGLE BUTTON.  
END 2 FOR SIMULTANEOUS BUTTON ACTIVATION.
2. WIRE WHEN TRIMMED TO BE STRAIGHT WITH NO BURRS.
3. FOR FULL ASSEMBLY DETAILS REFER TO APPLICATION NOTES 201-01-135.
4. SUPPLIED IN PACKS OF 100 PIECES.





# Poke Home – Thru-Wire

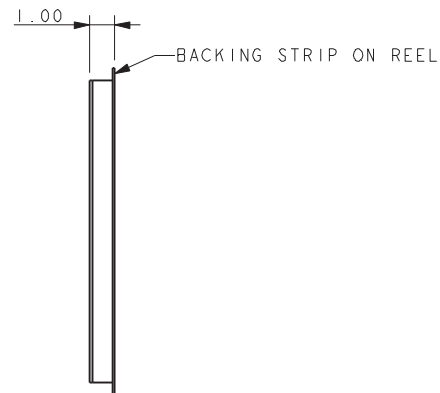
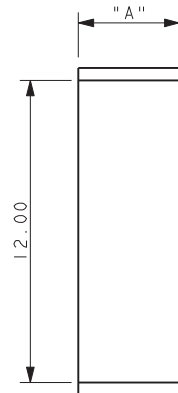
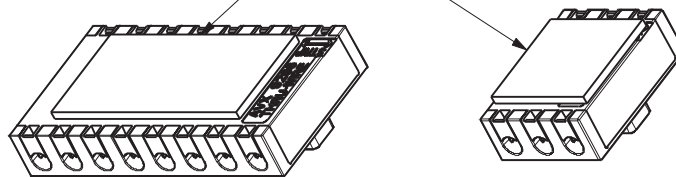


## Series 9286

### 08-9286-400X-00-000 ADHESIVE MOUNTING TAPE

ACCESSORY NOT SUPPLIED WITH CONNECTORS

TAPE APPLIED TO CENTRE OF BASE



Part Number	Dimension "A"	Matching Connectors	
		00-9286-00X-021-X06 Thru Wire	00-9286-00X-121-X06 Junction Box
80-9286-4001-00-000	4.00	1 Way	N/A
80-9286-4002-00-000	8.00	2 Way	4 Way
80-9286-4003-00-000	12.00	3 and 4 Way	6 and 8 Way
80-9286-4006-00-000	24.00	6 and 8 Way	N/A

#### NOTES:

1. DOUBLE SIDED FOAM FILLED ADHESIVE TAPE.
2. WIDTH FOR 1 WAY, 2 WAY, 3 WAY AND 6 WAY CONNECTORS, FOR LENGTH SEE TABLE.
3. USED FOR ADHERE A 9286 CONNECTOR TO A FLAT SURFACE.
4. SOME SURFACES MAY REQUIRE THE USE OF A CLEANING SOLVENT TO ACHIEVE BEST RESULTS.
5. SUPPLIED CUT TO SIZE ON A REEL ON AN OVERSIZE BACKING STRIP PARTS 400 PER REEL.



# AMEYA360

## Components Supply Platform

Authorized Distribution Brand :



Website :

Welcome to visit [www.ameya360.com](http://www.ameya360.com)

Contact Us :

➤ Address :

401 Building No.5, JiuGe Business Center, Lane 2301, Yishan Rd  
Minhang District, Shanghai , China

➤ Sales :

Direct +86 (21) 6401-6692

Email [amall@ameya360.com](mailto:amall@ameya360.com)

QQ 800077892

Skype [ameyasales1](#) [ameyasales2](#)

➤ Customer Service :

Email [service@ameya360.com](mailto:service@ameya360.com)

➤ Partnership :

Tel +86 (21) 64016692-8333

Email [mkt@ameya360.com](mailto:mkt@ameya360.com)