

868MHz; 25 x 25 x 4mm RFID(EU) Patch Antenna



25.0 x 25.0 x 4.0mm

APAE868R2540JBDB2-T

RoHS/ RoHS II compliant

MSL level: Not Applicable

FEATURES:

- Compact size
- RoHS Compliance

TYPICAL APPLICATIONS:

RFID systems for Logistic & Inventory Management of Retail, Pharmaceutical, Automotive Industries; Industrial automation, Contactless smart cards.

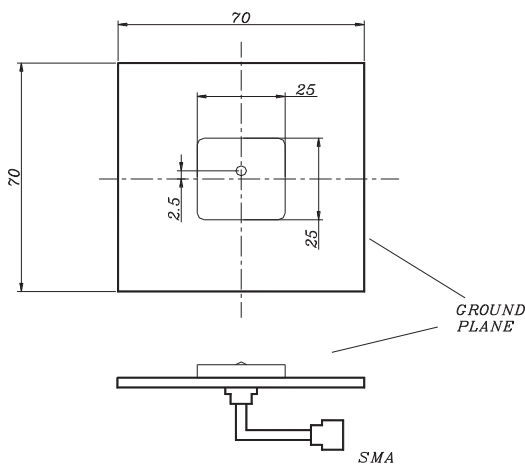
STANDARD SPECIFICATIONS:

| Parameters | Min. | Typ. | Max. | Units | Note |
|---|-----------|------|------|--------|---|
| Center Frequency @ -10dB bandwidth ^(*) | 868.0±3.0 | | | MHz | (with adhesive tape on 70x70mm ground plane) |
| -10dB bandwidth | 3.0 | | | MHz | |
| Gain (at Zenith 90°) | | 4.5 | | dBic | (Peak gain on standardized Ground Plane.) |
| VSWR at Center Frequency | | | 1.5 | | |
| Polarization Model | RHCP | | | | (Right Hand Circular Polarization) |
| Impedance | 50 | | | Ω | |
| Frequency Temperature Coefficient | | | 20 | ppm/°C | |

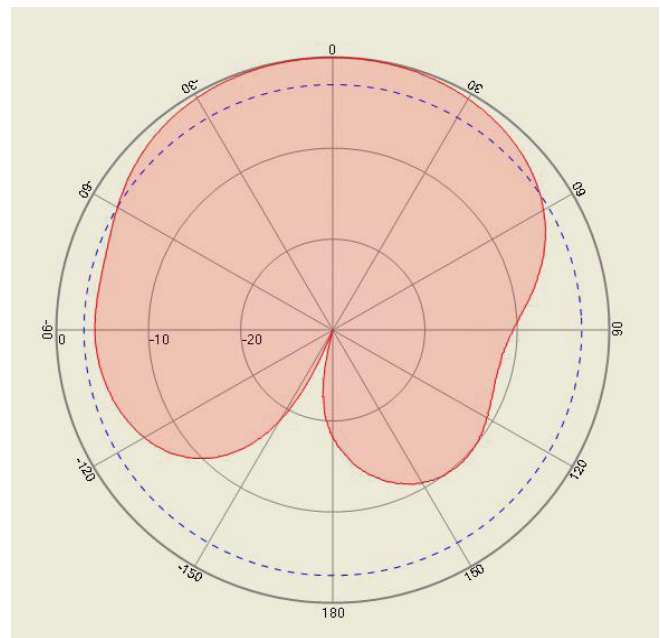
^(*)Application environment, including size of ground plane will affect stated performance. Fine tuning might be required when installed on customer's PCB.

TEST CONDITIONS & TEST SETUP:

Parts shall be measured under a condition
(Temp.: 20±15°C, Humidity: 65±20% R.H.)



RADIATION PATTERN



868MHz; 25 x 25 x 4mm RFID(EU) Patch Antenna

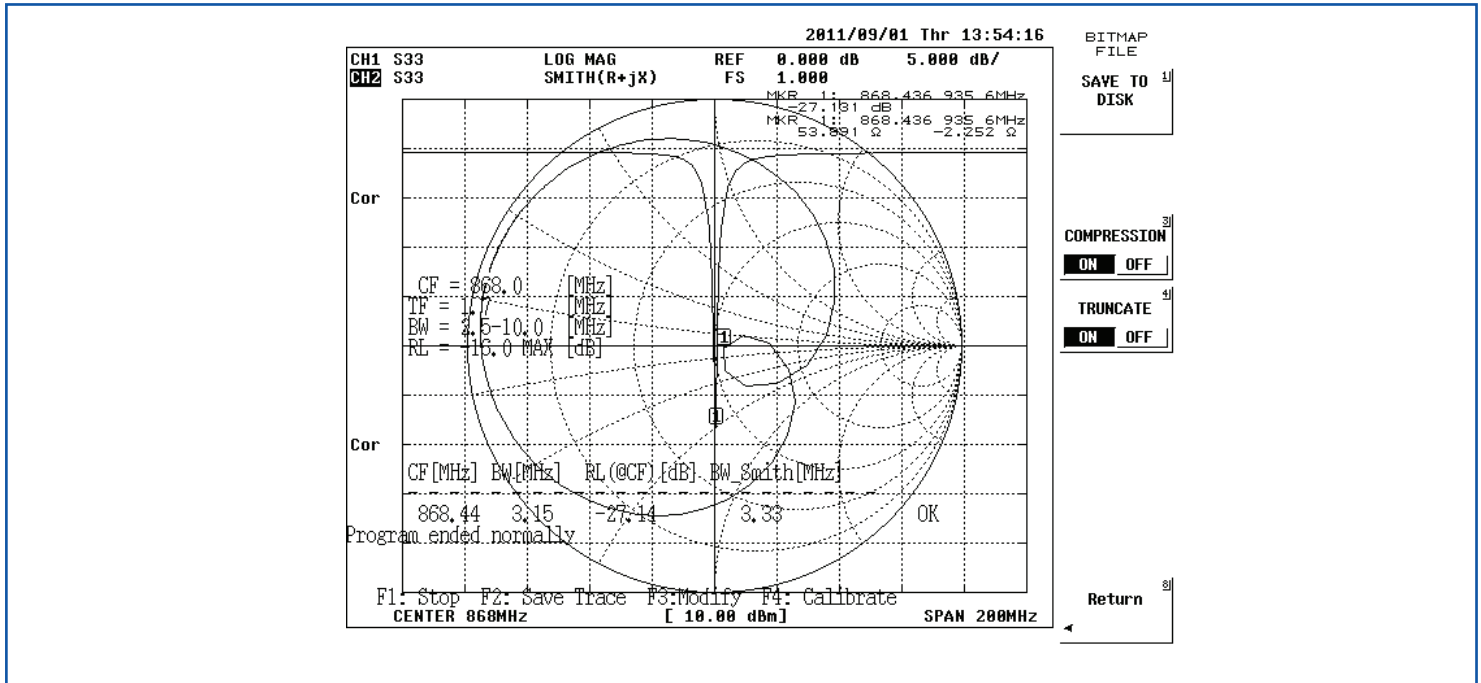
APAE868R2540JBDB2-T

RoHS/ RoHS II compliant

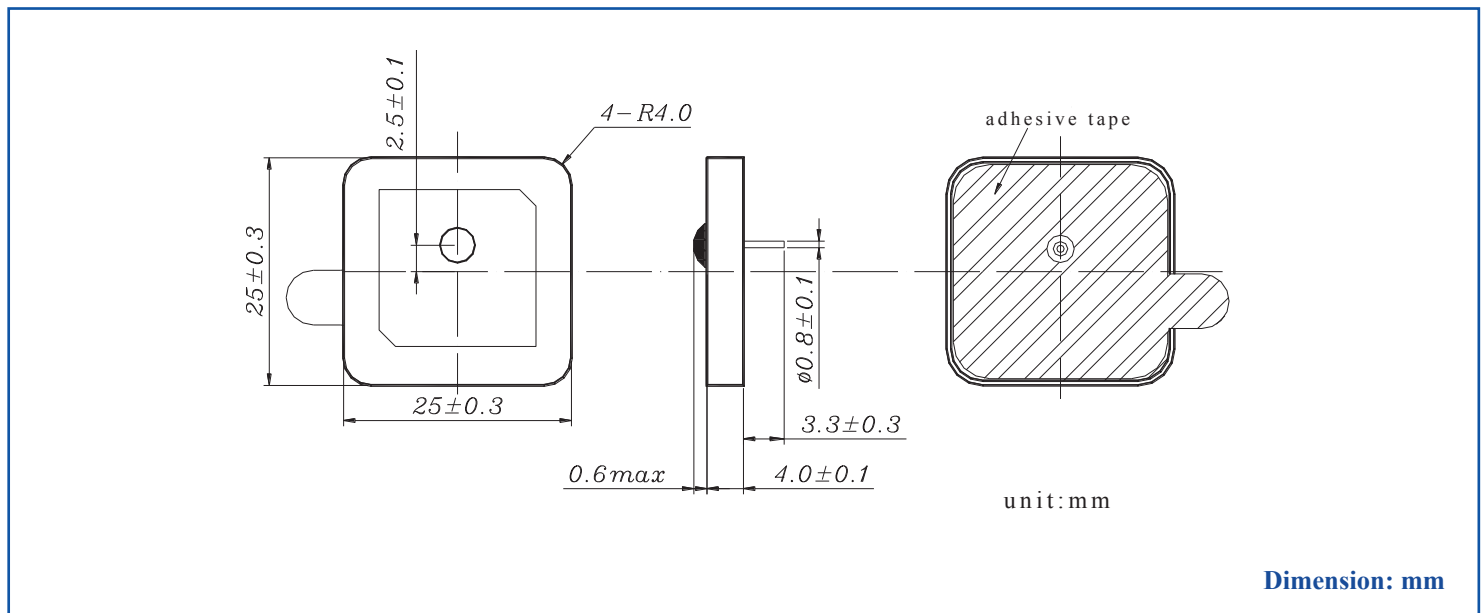


25.0 x 25.0 x 4.0mm

IMPEDANCE CHARACTERISTICS



OUTLINE DRAWING:



868MHz; 25 x 25 x 4mm RFID(EU) Patch Antenna

APAE868R2540JBDB2-T

RoHS/ RoHS II compliant

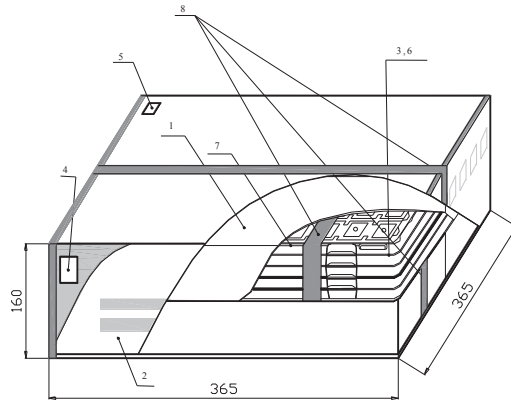


25.0 x 25.0 x 4.0mm

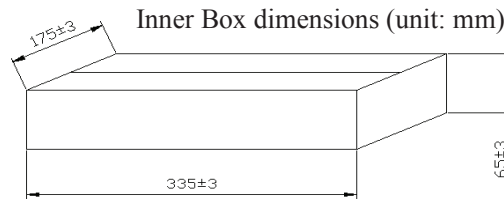
PACKAGING:

“T” is for a vacuum sealed tray containing 50 units.

1000 pieces is the suggested quantity containing 20-trays with 50-pcs per Tray.



| NO. | Name |
|-----|-------------------------|
| 1 | Inner Box |
| 2 | Package |
| 3 | Vacuum Bag |
| 4 | Certificate of approval |
| 5 | Label |
| 6 | Cushion |
| 7 | Tray |
| 8 | Adhesive tape |



CAUTION:

- (1) Do not apply excess mechanical stress to the component body or terminations. Do not attempt to re-form or bend the components as this will cause damage to the component.
- (2) Do not expose the component to open flame.
- (3) This specification applies to the functionality of the component as a single unit. Please insure the component is thoroughly evaluated in the application circuit.

NOTE:

- (1) The parts are manufactured in accordance with this specification. If other conditions and specifications which are required for this specification, please contact ABRACON for more information.
- (2) ABRACON will supply the parts in accordance with this specification unless we receive a written request to modify prior to an order placement.
- (3) In no case shall ABRACON be liable for any product failure from in appropriate handling or operation of the item beyond the scope of this specification.
- (4) When changing your production process, please notify ABRACON immediately.
- (5) ABRACON Corporation's products are COTS – Commercial-Off-The-Shelf products; suitable for Commercial, Industrial and, where designated, Automotive Applications. ABRACON's products are not specifically designed for Military, Aviation, Aerospace, Life-dependant Medical applications or any application requiring high reliability where component failure could result in loss of life and/or property. For applications requiring high reliability and/or presenting an extreme operating environment, written consent and authorization from ABRACON Corporation is required. Please contact ABRACON Corporation for more information.
- (6) All specifications and Marking will be subject to change without notice.

ATTENTION: Abracon Corporation's products are COTS – Commercial-Off-The-Shelf products; suitable for Commercial, Industrial and, where designated, Automotive Applications. Abracon's products are not specifically designed for Military, Aviation, Aerospace, Life-dependant Medical applications or any application requiring high reliability where component failure could result in loss of life and/or property. For applications requiring high reliability and/or presenting an extreme operating environment, written consent and authorization from Abracon Corporation is required. Please contact Abracon Corporation for more information.

ABRACON IS
ISO9001:2008
CERTIFIED



Visit www.abracon.com for Terms & Conditions of Sale **Revised 01.10.14**
30332 Esperanza, Rancho Santa Margarita, California 92688
tel 949-546-8000 | fax 949-546-8001 | www.abracon.com

AMEYA360

Components Supply Platform

Authorized Distribution Brand :



Website :

Welcome to visit www.ameya360.com

Contact Us :

➤ Address :

401 Building No.5, JiuGe Business Center, Lane 2301, Yishan Rd
Minhang District, Shanghai , China

➤ Sales :

Direct +86 (21) 6401-6692

Email amall@ameya360.com

QQ 800077892

Skype [ameyasales1](#) [ameyasales2](#)

➤ Customer Service :

Email service@ameya360.com

➤ Partnership :

Tel +86 (21) 64016692-8333

Email mkt@ameya360.com