

PART NAME

TRANSPARENT BLUE NEMA ENCLOSURE

PART No.

BT-2742

UL FILE #194432

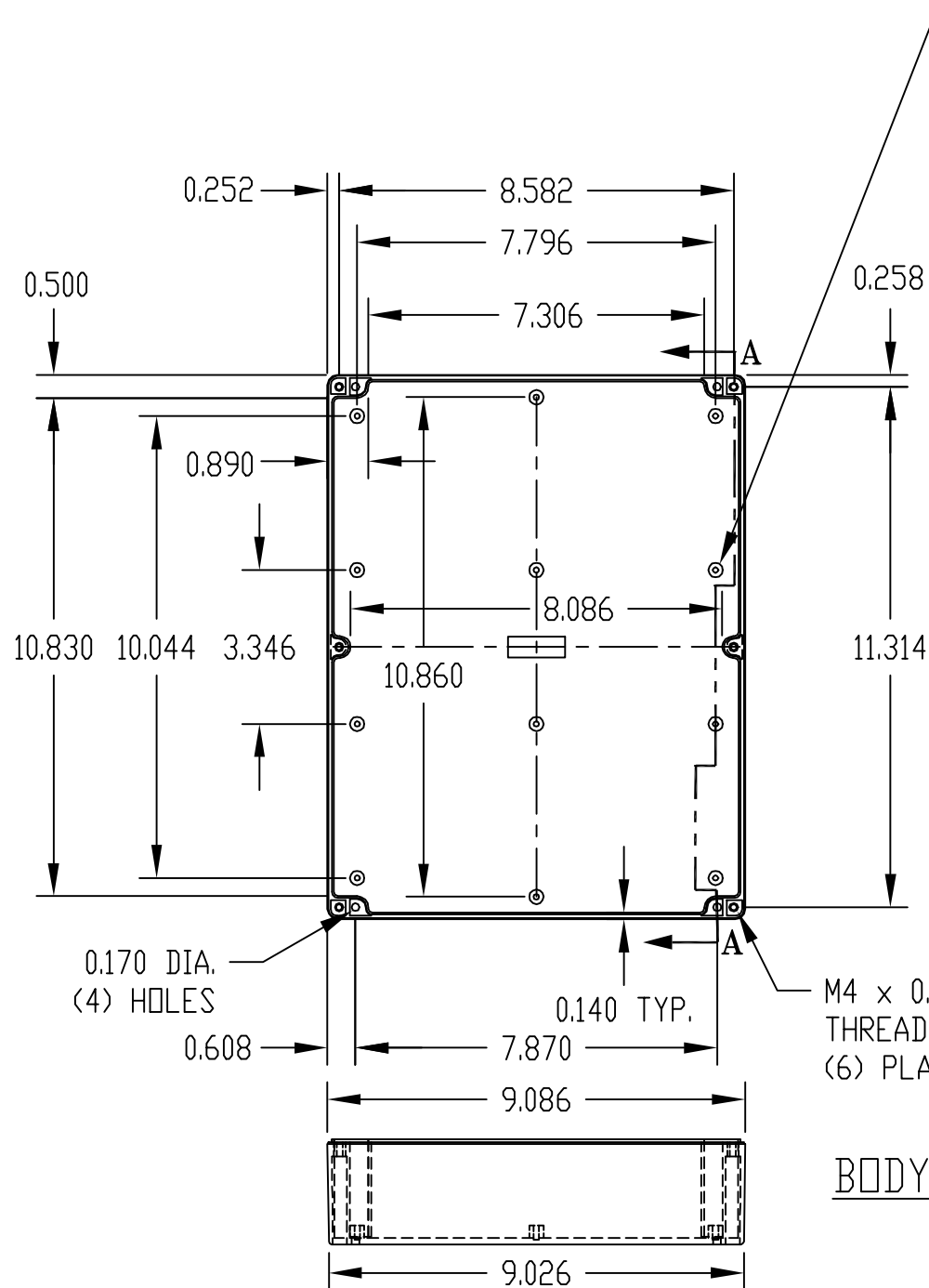
MATERIAL:

POLYCARBONATE, TRANSPARENT BLUE

UL94V-2 FLAMMABILITY RATING

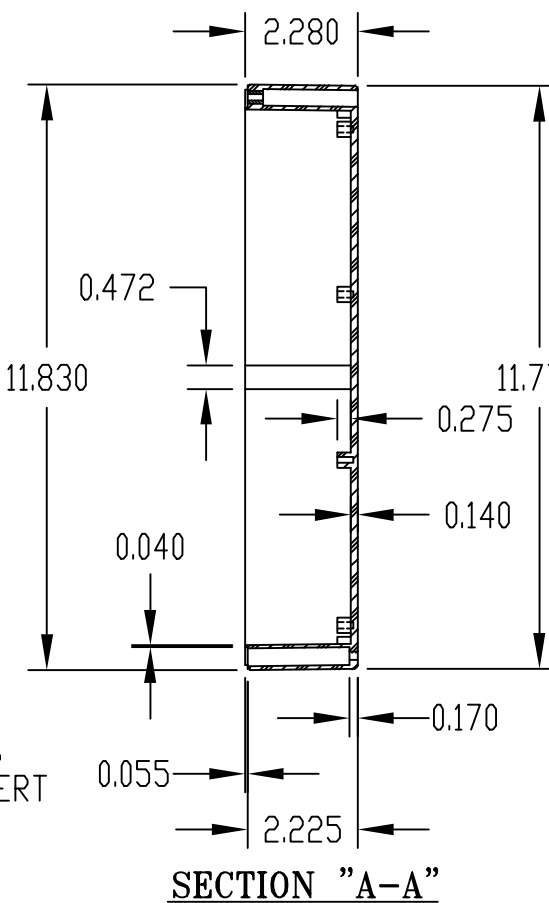
UV STABILIZED

SERVICE TEMPERATURE RANGE: -40°C TO +120°C

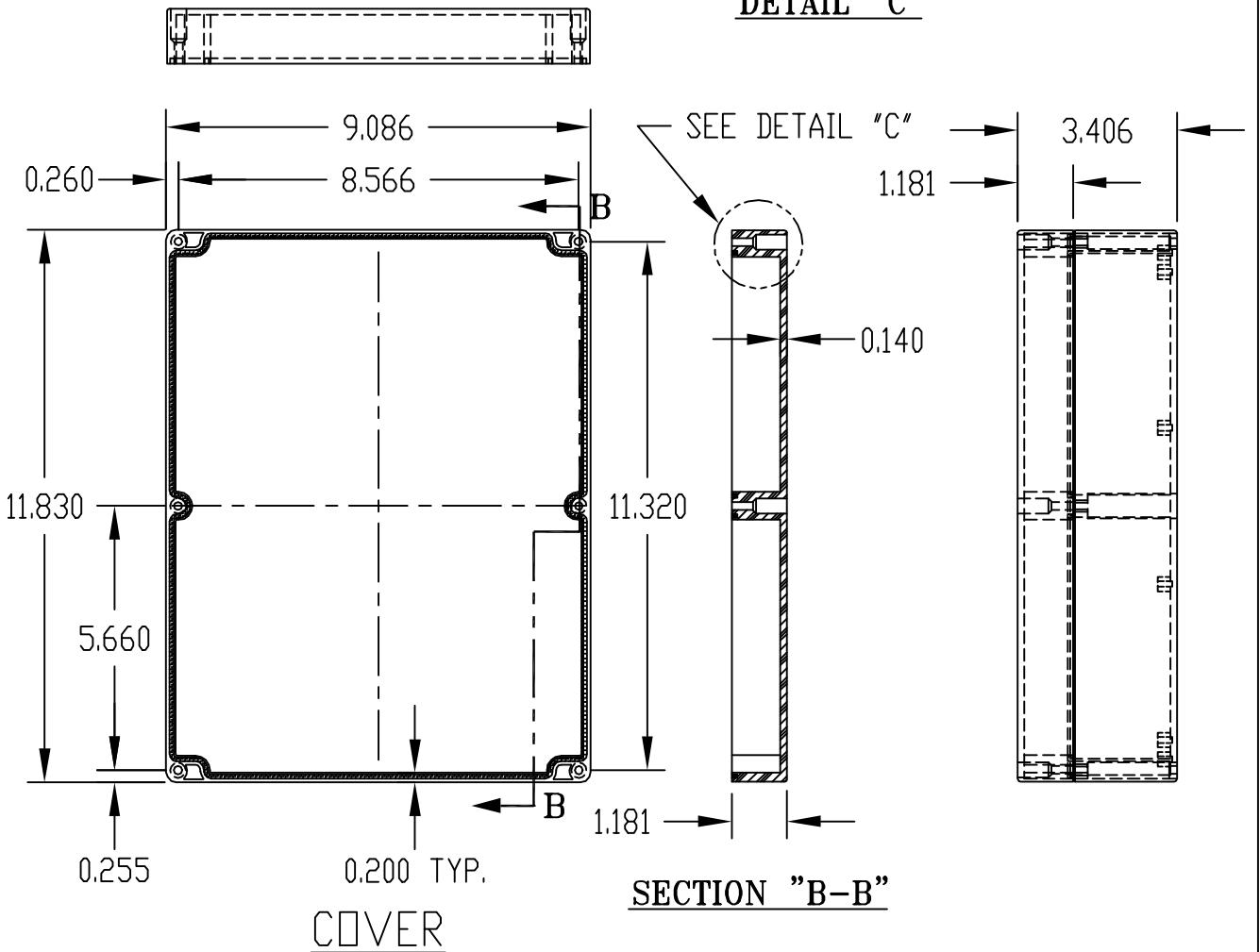
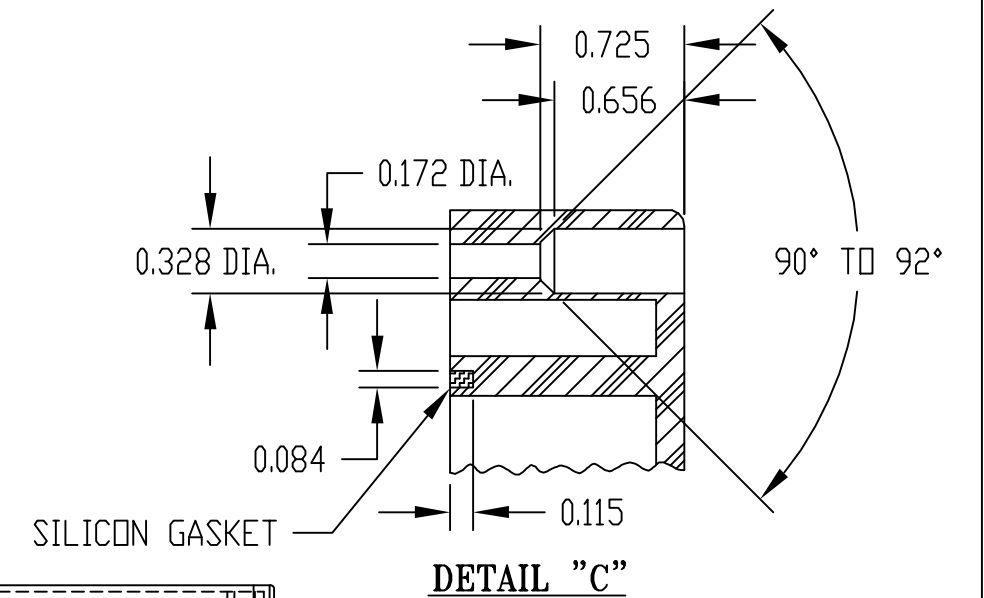


BODY

0.315 DIA. BOSS WITH  
0.120 DIA. HOLE x 0.320 DEEP  
(12) PLACES  
MOUNTING BOSSES USE EITHER  
M3 METRIC OR #6 STD. SHEET  
METAL SCREWS x 0.312 LG.  
(NOT SUPPLIED)



SECTION "A-A"



SECTION "B-B"

NOTE: ALL DIMENSIONS HAVE ±0.015 TOLERANCE UNLESS OTHERWISE SPECIFIED.

HARDWARE KIT

KIT CONTAINS (6)  
M4 x 25mm (1.000") LG.  
SCREWS FOR ASSEMBLY

## Authorized Distribution Brand :



## Website :

Welcome to visit [www.ameya360.com](http://www.ameya360.com)

## Contact Us :

### ➤ Address :

401 Building No.5, JiuGe Business Center, Lane 2301, Yishan Rd  
Minhang District, Shanghai , China

### ➤ Sales :

Direct +86 (21) 6401-6692

Email [amall@ameya360.com](mailto:amall@ameya360.com)

QQ 800077892

Skype ameyasales1 ameyasales2

### ➤ Customer Service :

Email [service@ameya360.com](mailto:service@ameya360.com)

### ➤ Partnership :

Tel +86 (21) 64016692-8333

Email [mkt@ameya360.com](mailto:mkt@ameya360.com)