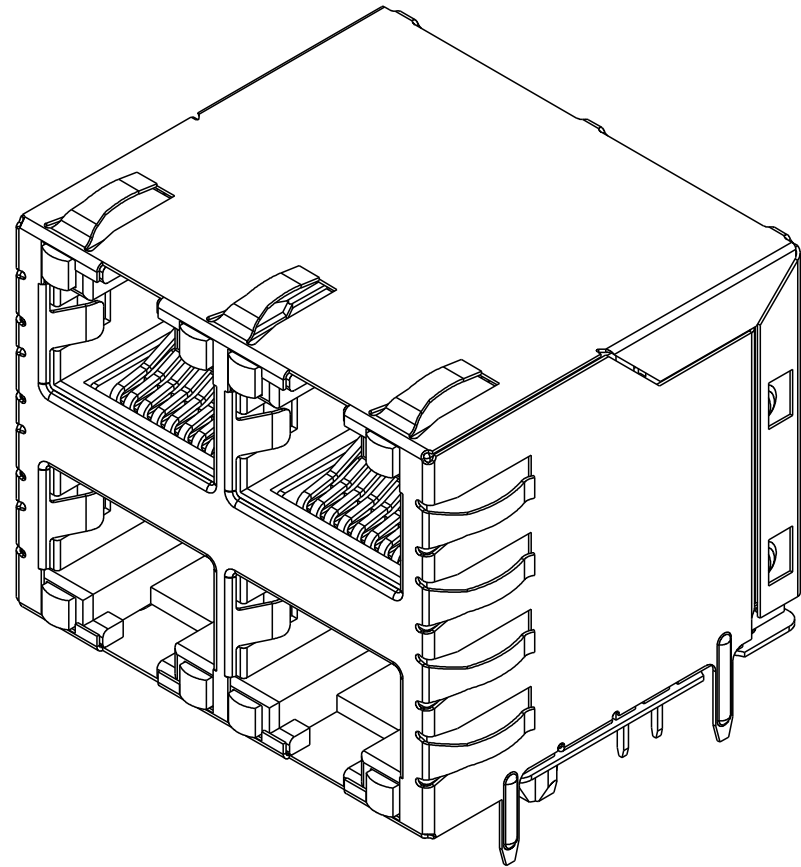


REVISIONS				
#	LTN	DESCRIPTION	DATE	OWN APVD
F		EC-1411035 COMPANY LOGO CHANGE	09FEB2015	TR TY



1. MATERIALS:
 PLASTIC HOUSING: BLACK, THERMOPLASTIC
 FLAMMABILITY RATING UL 94V-0
 SHIELD: BRASS, PREPLATED WITH 0.76um MIN SEMI-BRIGHT NICKEL, POST DIPPED WITH 2.54um MIN SAC SOLDER ON SOLDER TAILS,
 CONTACTS: PHOSPHOR BRONZE, 1.27um MIN OVERALL NICKEL
 UNDERPLATE WITH SELECT 1.27um MIN GOLD AT MATING INTERFACE AND 2.54um MIN MATTE TIN ON SOLDER TAILS.
 LED: DIFFUSED EPOXY LENS, CARBON STEEL LEAD FRAME TAILS OF LED ARE PREPLATED WITH 2.03um MIN SILVER OVER 1.02um MIN NICKEL UNDERPLATE OVER 1.02um MIN COPPER UNDERPLATE. POST-PLATED WITH 2.54um MIN MATTE TIN AND/OR SAC SOLDER DIP OR PURE TIN SOLDER DIP

2. MAGNETICS
 APPLICATION: 10/100/1000 BASE-T
 IMPEDANCE: 100 OHMS
 TURNS RATIO (CHIP:CABLE): 1:1 ALL FOUR PAIRS
 OPEN CIRCUIT INDUCTANCE (OCL): 350uH MIN @100kHz, 0.1VRMS, 8mADC BIAS FROM 0°C TO 70°C, ALL FOUR PAIRS
 ALL FOUR PAIRS BI-DIRECTIONAL
 PERFORMANCE @ 25°C:
 INSERTION LOSS (IL): 1.1dB MAX FROM 0.5MHz TO 100MHz
 RETURN LOSS (RL): 18dB MIN FROM 0.5MHz TO 40MHz
 12-20LOG(f/80)dB MIN FROM 40.1MHz TO 100MHz
 CROSSTALK ATTENUATION: 35dB MIN FROM 0.5MHz TO 40MHz
 33-20LOG(f/50)dB MIN FROM 40.1MHz TO 100MHz
 COMMON MODE REJECTION RATIO (CMRR): 30dB MIN FROM 0.5MHz TO 100MHz
 ISOLATION VOLTAGE: COMPLIES WITH IEEE802.3 2002, PARA 40.6.1.1, ITEM b.

3. TRP LOGO, PART NUMBER, DATE CODE, COUNTRY OF ORIGIN AND AGENCY APPROVAL MARKING IN APPROXIMATE LOCATION SHOWN. DATE CODE "YY" IS THE YEAR, "WW" IS THE WEEK, "D" IS THE DAY OF WEEK, WITH SUNDAY="1".

4. THESE PARTS ARE RECOMMENDED FOR WAVE SOLDERING PROCESS, PEAK WAVE SOLDERING TEMPERATURE IS 265°C MAX, 10 SECONDS MAX.

5. INDICATED MAGNETIC CONNECTIONS ARE SYMMETRIC AND SUPPORT AUTO-MDIX.

6. RJ45 CAVITY CONFORMS TO FCC RULES AND REGULATION PART 68 SUBPART F

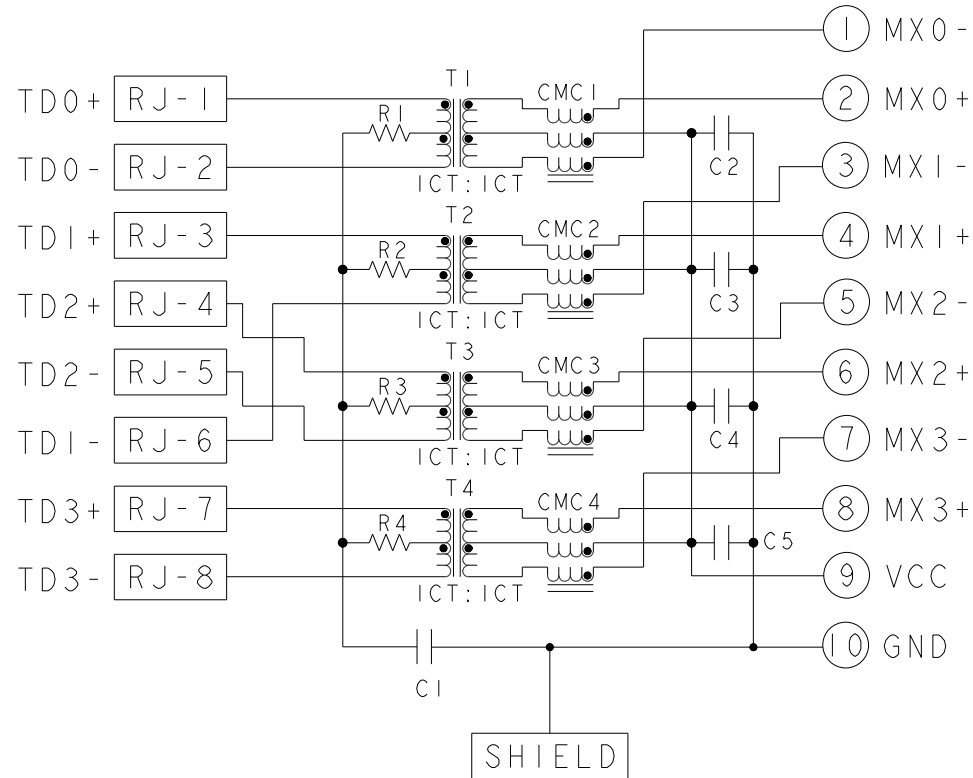
7. LEDS ARE DRIVEN WITH CONSTANT CURRENT AT APPROX 20mA
 LED COLOR: DOMINANT WAVELENGTH (λD): GREEN 568 nm TYP. @ IF=20mA
 FORWARD VOLTAGE (VF): GREEN 2.2V TYP. @ IF=20mA
 DOMINANT WAVELENGTH (λD): YELLOW 588 nm TYP. @ IF=20mA
 FORWARD VOLTAGE (VF): YELLOW 2.1V TYP. @ IF=20mA

8. DATUM AND BASIC DIMENSION ESTABLISHED BY CUSTOMER.

9. BASIC DIMENSION ESTABLISHED BY CUSTOMER, BUT NOT TO BE GREATER THAN 5.08.

10. OPERATING TEMPERATURE: 0°C TO +70°C.

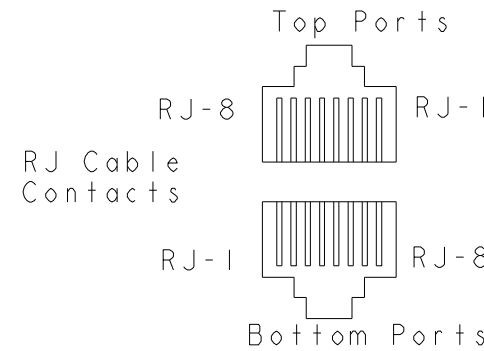
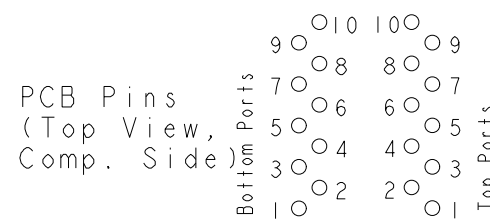
S8G16 GIGABIT CIRCUIT
 TOP AND BOTTOM PORTS



C1 = 1000 pF, 2kV X7R DECOUPLING CAPACITOR
 C2 - C3 = 50V, 470pF ±10%, X7R CAPACITORS
 R1 - R4 = 75 Ohms, 1/16 W, ±5% Resistors

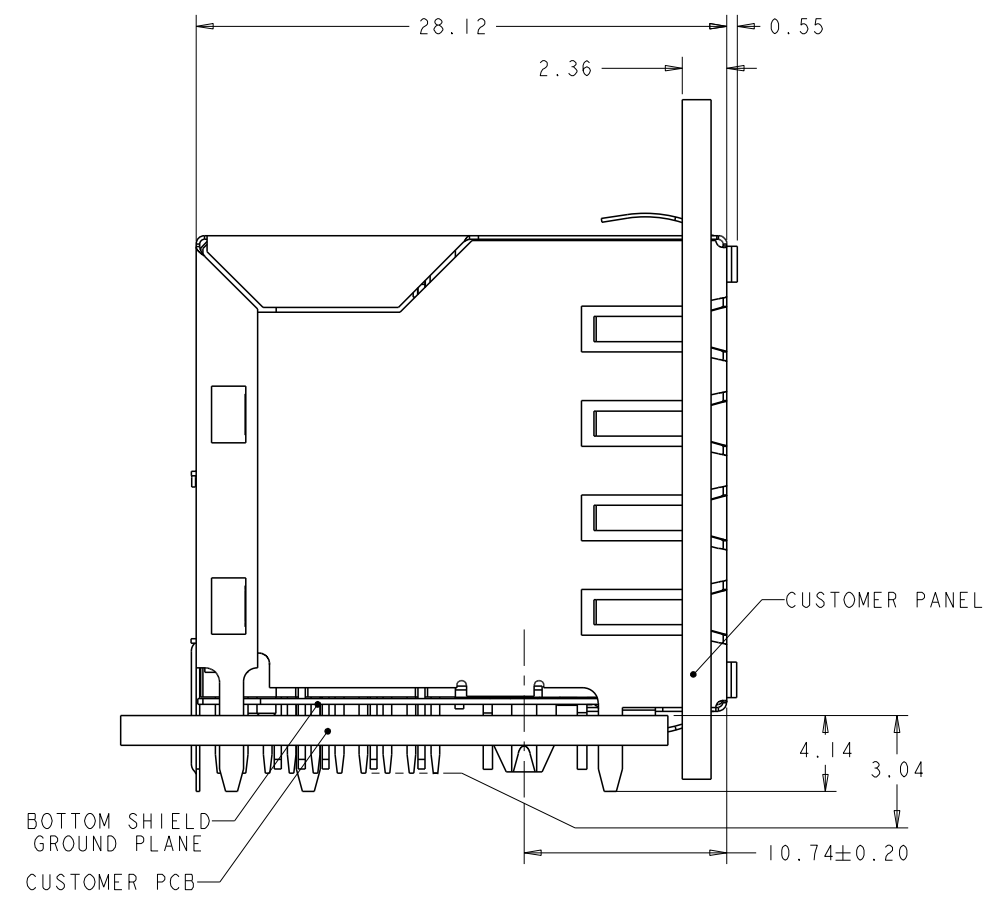
Pin Designations

(Repeat for each vertical pair of ports.)

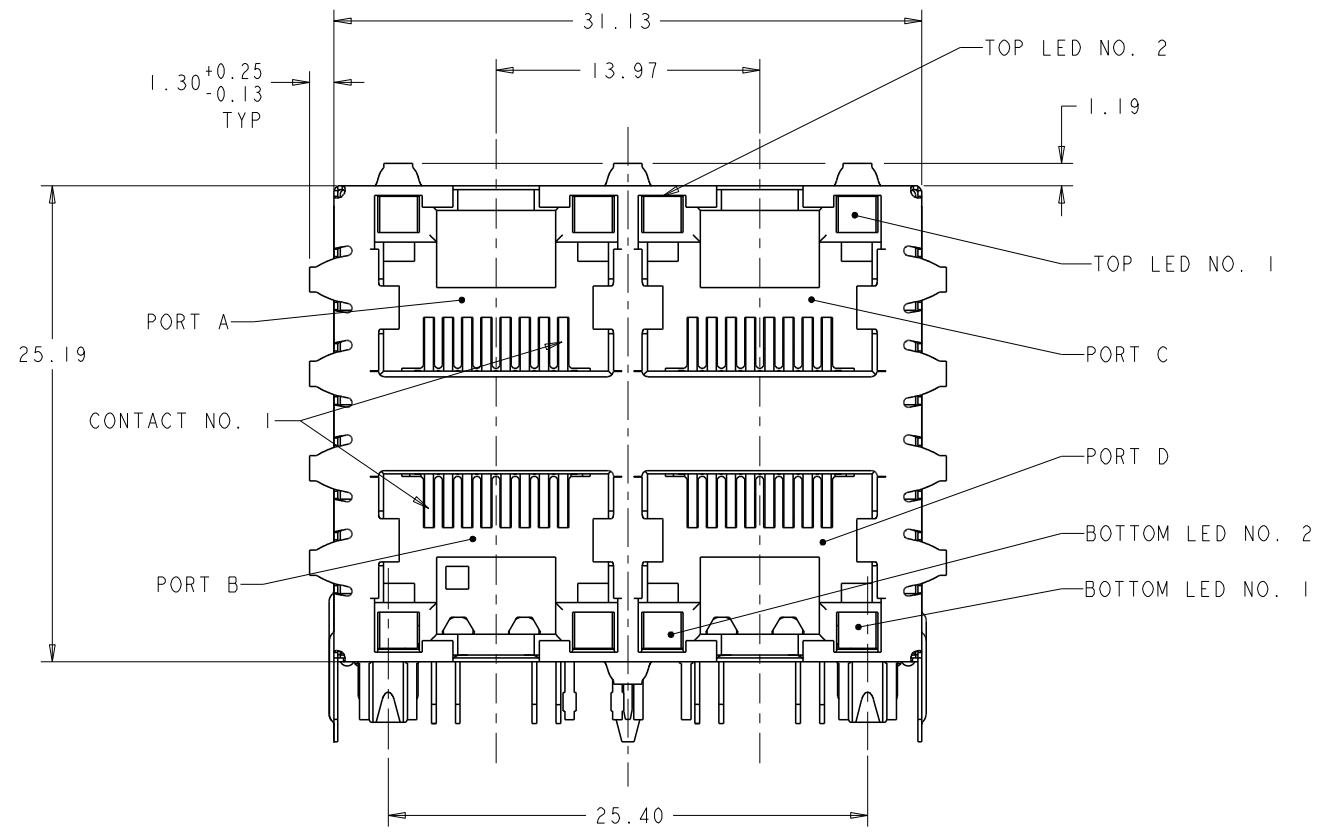
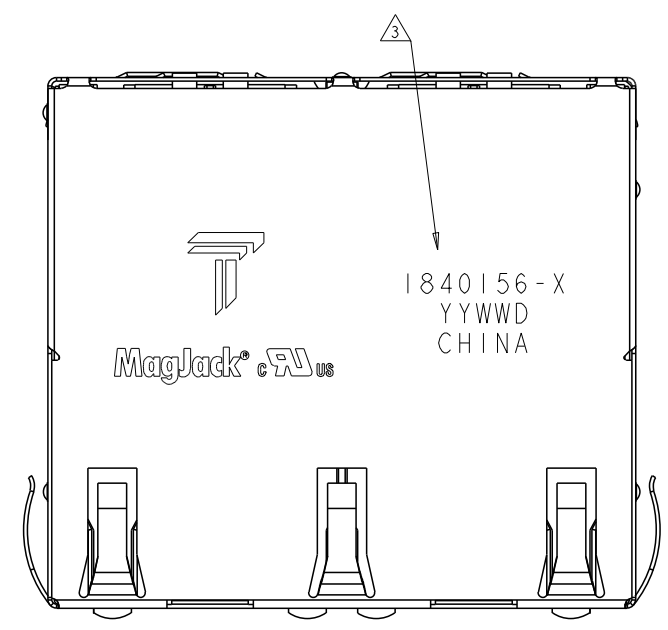
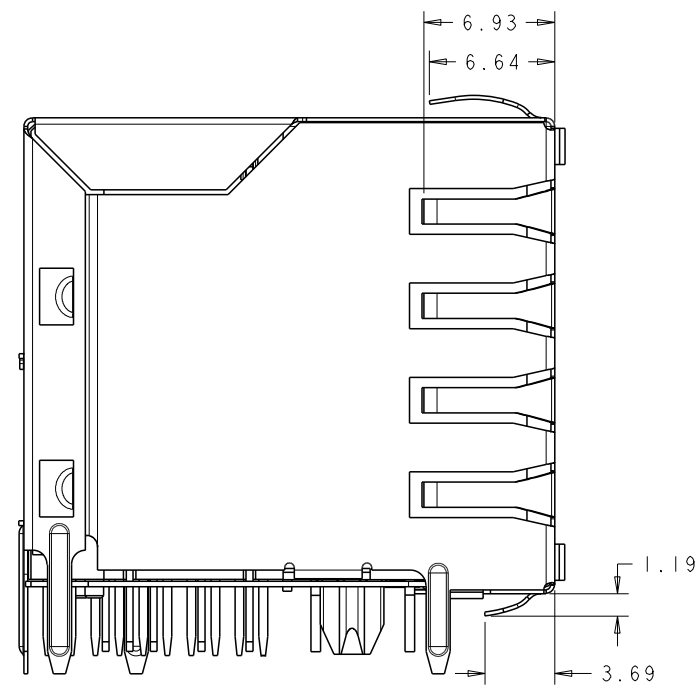


GRN/YEL	GRN/YEL	GRN/YEL	GRN/YEL	1840156-4
GREEN	YELLOW	GREEN	YELLOW	1840156-3
YELLOW	GREEN	GREEN	YELLOW	1840156-2
GREEN	GREEN	GREEN	GREEN	1840156-1
BOTTOM LED NO. 2	BOTTOM LED NO. 1	TOP LED NO. 2	TOP LED NO. 1	PART NUMBER

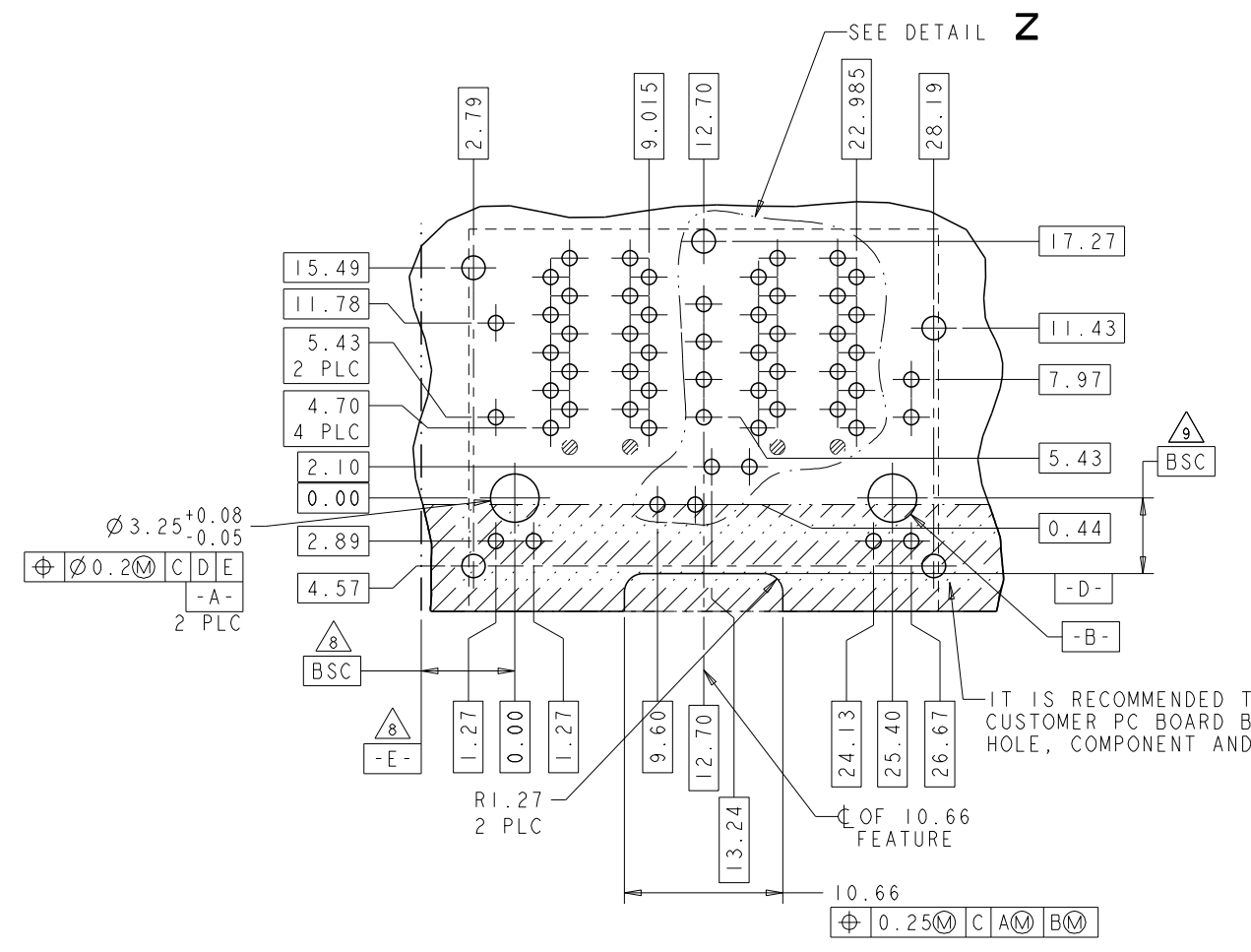
THIS DRAWING IS A CONTROLLED DOCUMENT.		DWN: KEKE YOU 12JUL2006	 DONGGUAN CHINA
DIMENSIONS: mm		CHK: ERIC GE 12JUL2006	
TOLERANCES UNLESS OTHERWISE SPECIFIED:		APVD: TEDDY XIANG 12JUL2006	MODEL NAME: MAGJACK
0 PLC ±0.25 1 PLC ±0.25 2 PLC ±0.25 3 PLC ±0.25 4 PLC ±0.25 ANGLES ±		PRODUCT SPEC: 108-2100	DESC: 2X2 S8G16 GIGABIT W/ LED
APPLICATION SPEC: -		SCALE: 4:1	RESTRICTED TO: -
CUSTOMER DRAWING		SHEET 1 OF 4	REV F



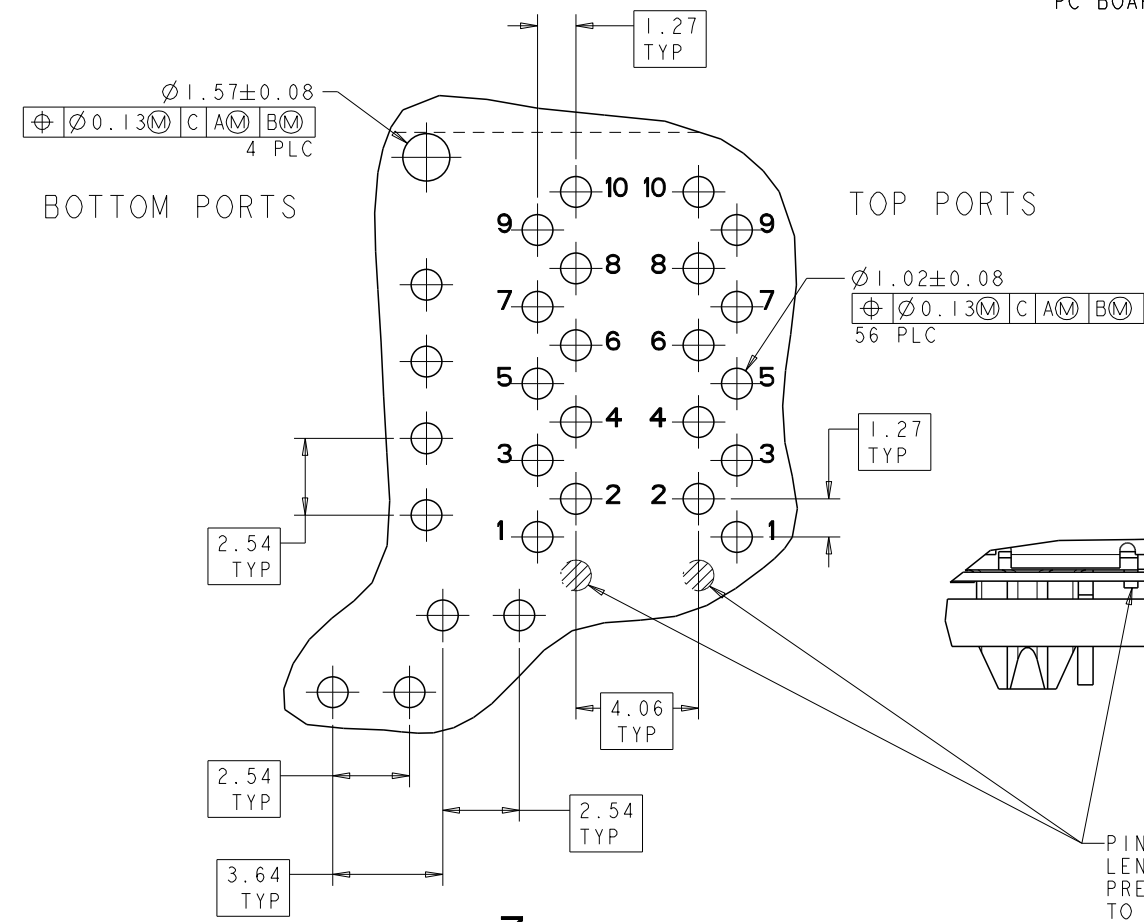
SIDE VIEW SHOWN WITH CUSTOMER PANEL AND PCB FOR LOCATION



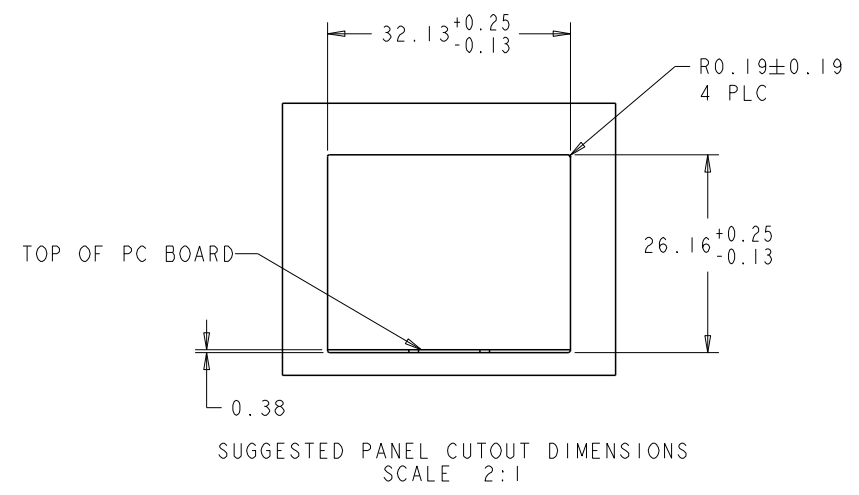
THIS DRAWING IS A CONTROLLED DOCUMENT.		DWN: HEKE YOU 12JUL2006	TRP CONNECTOR a bel group DONGGUAN CHINA
DIMENSIONS: mm		CHK: ERIC GE 12JUL2006	
TOLERANCES UNLESS OTHERWISE SPECIFIED:		APP'D: TEDDY XIANG 12JUL2006	
0 PLC ±0.25 1 PLC ±0.25 2 PLC ±0.25 3 PLC ±0.25 4 PLC ± ANGLES ±	PRODUCT SPEC 108-2100 APPLICATION SPEC -	MODEL NAME: MAGJACK STACK NON-PoE CUSTOMER DRAWING	DESC: 2X2 S8G16 GIGABIT W/ LED SIZE: A1 CAGE CODE: 1840156 DRAWING NO: 1840156 RESTRICTED TO: - SCALE: 4:1 SHEET 2 OF 4 REV F



PC BOARD LAYOUT VIEWD FROM COMPONENT SIDE

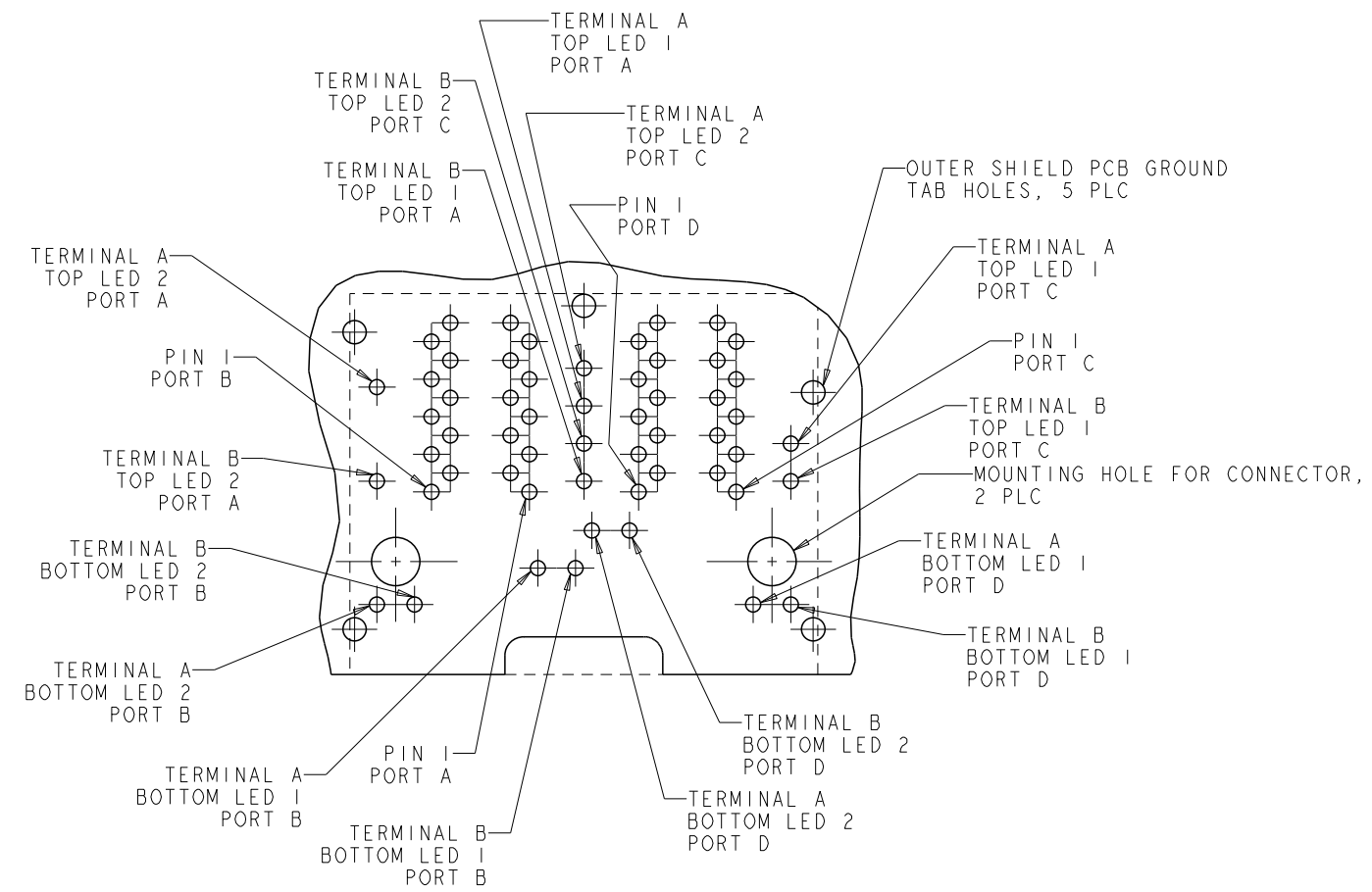


DETAIL Z
 SCALE 8:1

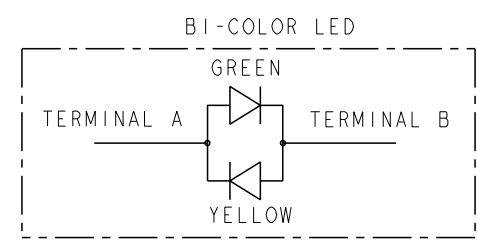
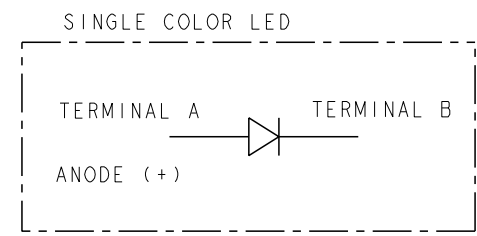



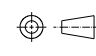
SUGGESTED PANEL CUTOUT DIMENSIONS
 SCALE 2:1

THIS DRAWING IS A CONTROLLED DOCUMENT.		DWN: HEKE YOU 12JUL2006	DONGGUAN CHINA
DIMENSIONS: mm		CHK: ERIC GE 12JUL2006	
TOLERANCES UNLESS OTHERWISE SPECIFIED:		APPV: TEDDY XIONG 12JUL2006	
0 PLC ±0.25 1 PLC ±0.25 2 PLC ±0.25 3 PLC ±0.25 4 PLC ± ANGLES ±	PRODUCT SPEC 108-2100 APPLICATION SPEC -	MODEL NAME: MAGJACK STACK NON-PoE	DESC: 2X2 S8G16 GIGABIT W/ LED SIZE: A1 CAGE CODE: 1840156 CUSTOMER DRAWING
SCALE: 4:1 SHEET 3 OF 4 REV F			RESTRICTED TO



LED HOLE DESIGNATIONS VIEWED FROM COMPONENT SIDE
SCALE 4:1



THIS DRAWING IS A CONTROLLED DOCUMENT.		DWN: HEKE YOU 12JUL2006	 trp CONNECTOR <small>a bel group</small>	DONGGUAN CHINA	
DIMENSIONS: mm		CHK: ERIC GE 12JUL2006		DESC: 2X2 S8G16 GIGABIT W/ LED	RESTRICTED TO
TOLERANCES UNLESS OTHERWISE SPECIFIED:		APP'D: TEDDY XIONG 12JUL2006		SIZE: A1	CAGE CODE: 1840156
 0 PLC ±0.25 1 PLC ±0.25 2 PLC ±0.25 3 PLC ± 4 PLC ± ANGLES ±	PRODUCT SPEC: 108-2100 APPLICATION SPEC: -	MODEL NAME: MAGJACK STACK NON-PoE	SCALE: 4:1 SHEET: 4 OF 4 REV: F		

AMEYA360

Components Supply Platform

Authorized Distribution Brand :



Website :

Welcome to visit www.ameya360.com

Contact Us :

➤ Address :

401 Building No.5, JiuGe Business Center, Lane 2301, Yishan Rd
Minhang District, Shanghai , China

➤ Sales :

Direct +86 (21) 6401-6692

Email amall@ameya360.com

QQ 800077892

Skype ameyasales1 ameyasales2

➤ Customer Service :

Email service@ameya360.com

➤ Partnership :

Tel +86 (21) 64016692-8333

Email mkt@ameya360.com