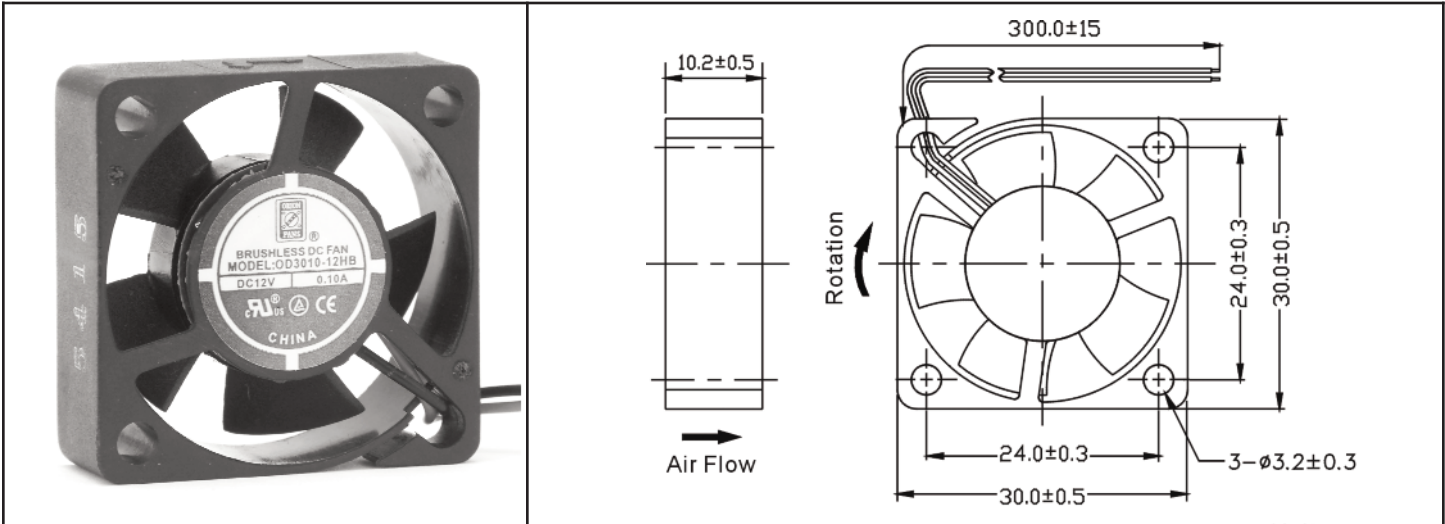


OD3010 Series



DC Fan - 5, 12V
30x10mm (1.18"x 0.39")



Frame & Impeller	PBT, UL94V-O plastic	Available Options: Tachometer Alarm <u>Life Expectancy (L10)</u> Ball - 60,000 hrs (45C) Sleeve - 30,000 hrs (45C) <u>Operating Temperature</u> Ball: -10 ~ 70C Sleeve: -10 ~ 60C Weight: ~ 0.02 lbs m4	
Connection	2x Lead wires 28AWG		
Motor	Brushless DC, auto restart, impedance and polarity protected		
Bearing System	Ball bearing or Sleeve		
Insulation Resistance	10M ohm between leadwire and frame (500VDC)		
Dielectric Strength	1 second at 500 VAC, max leakage - 500 MicroAmp		
Storage Temperature	-30C ~ +90C		

Model Number	Speed (RPM)	Airflow (CFM)	Noise (dB)	Volts DC	Voltage Range (VDC)	Amps	Max. Static Pressure ("H2O)
OD3010-05H *	10000	4.6	31	05	4.5~5.5	0.17	0.20
OD3010-12H *	10000	4.6	31	12	6~15	0.10	0.20
OD3010-12M *	9000	4.0	27	12	6~15	0.09	0.17
OD3010-12L *	7000	3.5	25	12	6~15	0.06	0.11

* Indicate "B" for ball bearing or "S" for sleeve bearing

AMEYA360

Components Supply Platform

Authorized Distribution Brand :



Website :

Welcome to visit www.ameya360.com

Contact Us :

➤ Address :

401 Building No.5, JiuGe Business Center, Lane 2301, Yishan Rd
Minhang District, Shanghai , China

➤ Sales :

Direct +86 (21) 6401-6692

Email amall@ameya360.com

QQ 800077892

Skype [ameyasales1](#) [ameyasales2](#)

➤ Customer Service :

Email service@ameya360.com

➤ Partnership :

Tel +86 (21) 64016692-8333

Email mkt@ameya360.com